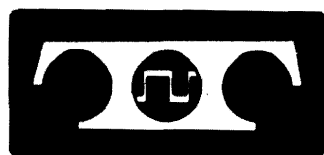


BULLETIN 1184B

33 PAGE PRINTER SET

(ASR, KSR AND RO)

PARTS



TELETYPE[®]

CORPORATION

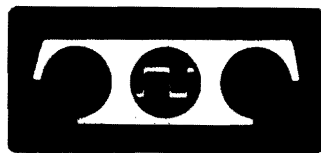
5555 TOUHY AVENUE, SKOKIE, ILLINOIS

BULLETIN 1184B

33 PAGE PRINTER SET

(ASR, KSR AND RO)

PARTS



TELETYPE[®]
CORPORATION

5555 TOUHY AVENUE, SKOKIE, ILLINOIS

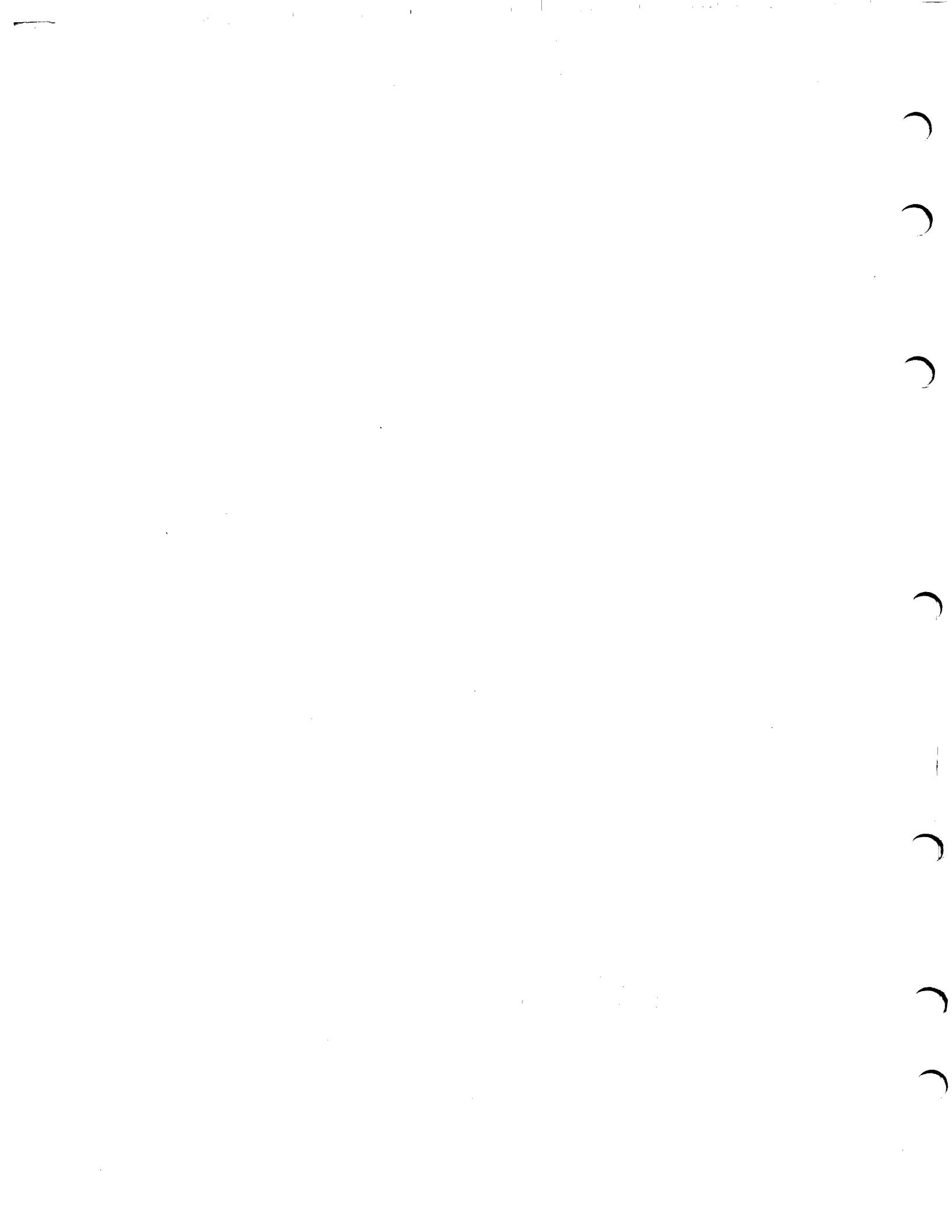


TABLE OF CONTENTS

<u>SECTION</u>	<u>TITLE</u>	<u>ISSUE</u>	<u>DATE</u>
574-121-800TC	33 Keyboard (UK)	4	September 1968
574-122-800TC	33 Typing Unit (UP)	*6	May 1969
574-123-800TC	33 Call Control Unit (UCC)	*5	May 1969
574-124-800TC	33 Reader (UX)	3	September 1967
574-125-800TC	33 Tape Punch (UPE)	3	September 1967
574-126-800TC	33 Cover and Table	*4	May 1969

NOTE:

*Indicates revised sections



SECTION 574-121-800TC

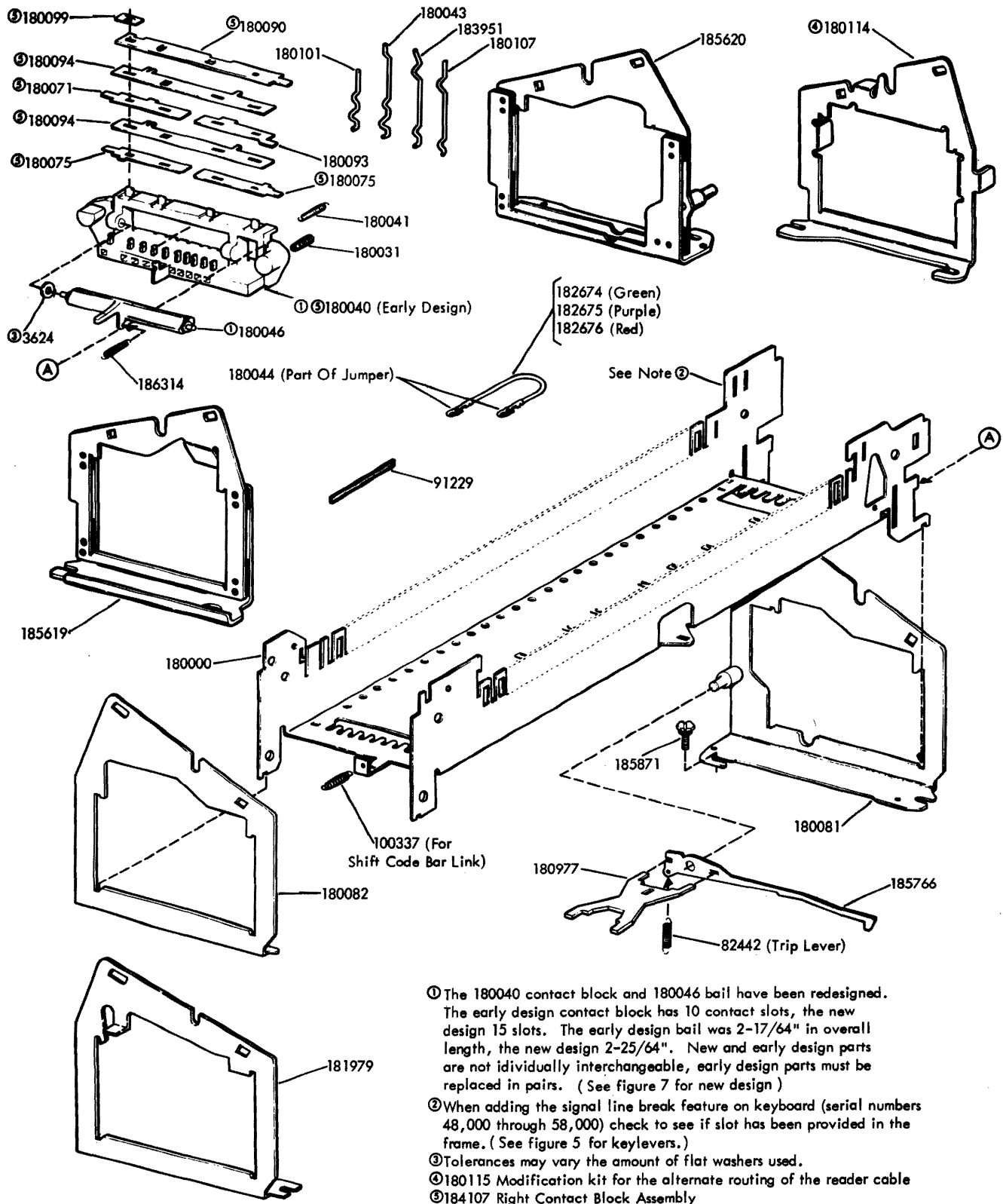


FIGURE 1. KEYBOARD BASKET AND CONTACT BLOCK

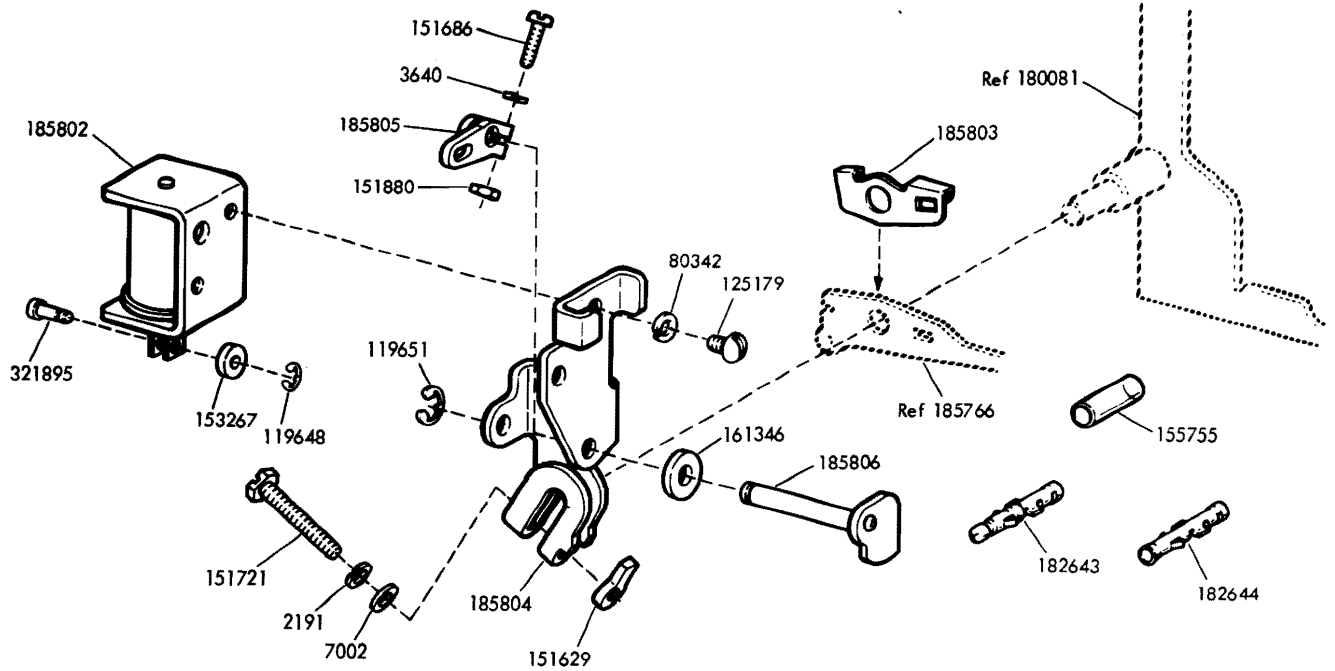


FIGURE 2. 185801 MODIFICATION KIT TO PROVIDE LOCKING FOR KEYBOARD

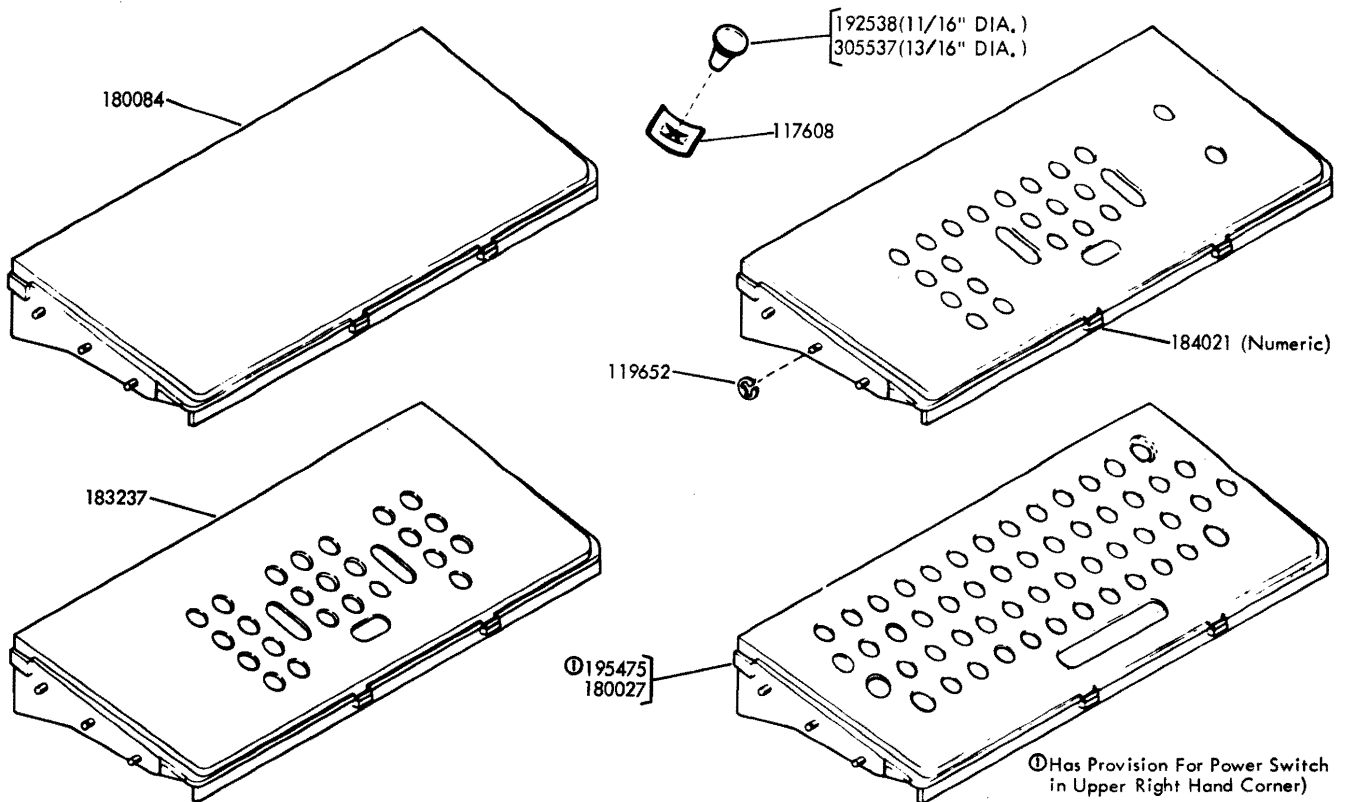
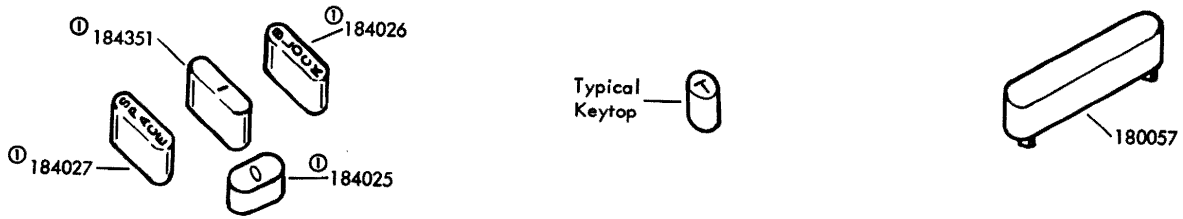


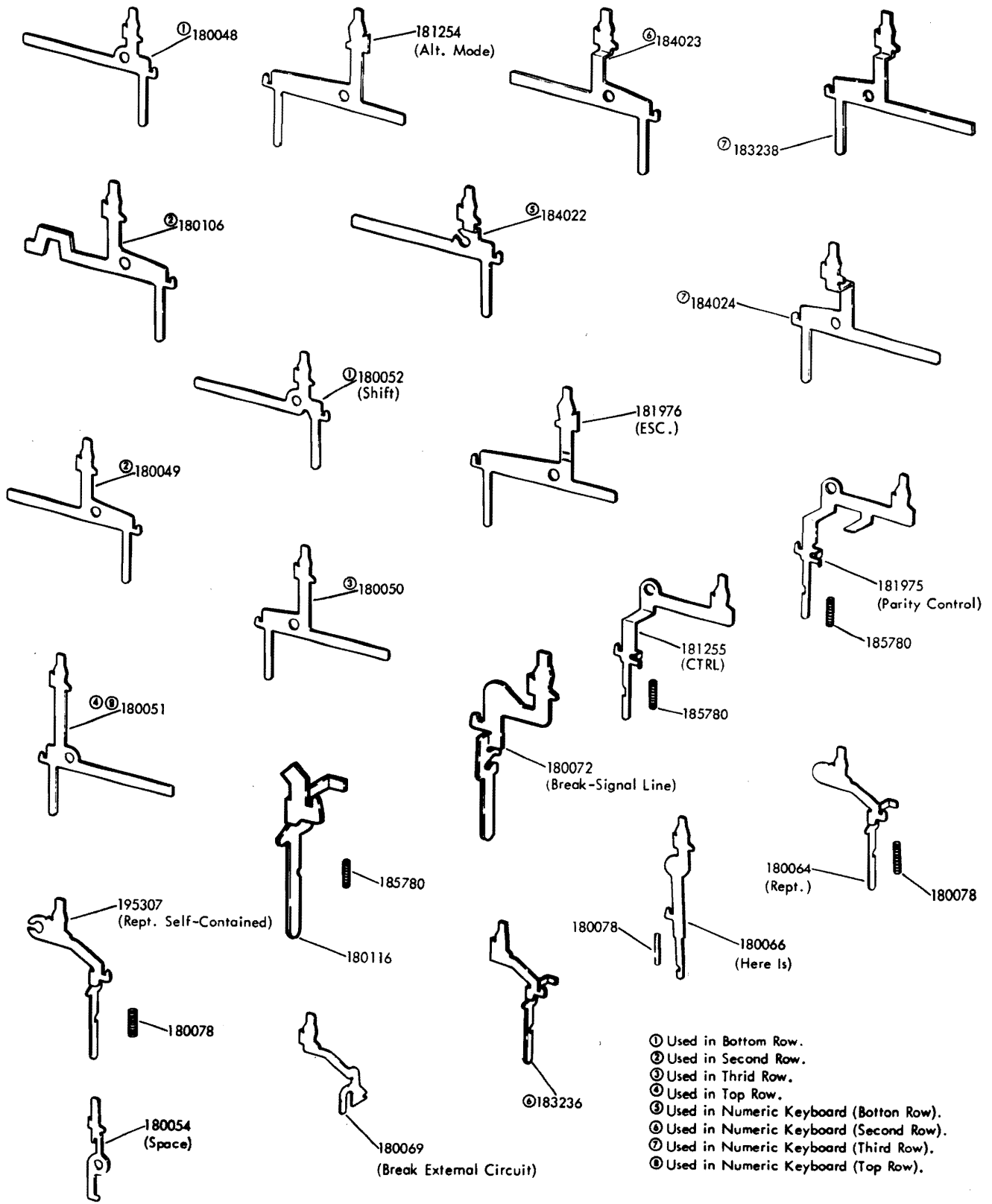
FIGURE 3. KEYBOARD COVERS



Keytop Description			Keytop Description			Keytop Description		
UNSHIFT	SHIFT	Part Number	UNSHIFT	SHIFT	Part Number	UNSHIFT	SHIFT	Part Number
A		180181	P	@	180180	8		①184341
A	SOM	*183891						
A		①184343	Q	X ON	*183888	9)	①180168
B		180194	Q	X-ON	184869	9		①184342
B		①184344	Q	RLF	185160	0		180169
C		180192	R	TAPE	180174	ø		180374
C		①184345	R		180260	-	=	180170
C	ETX	185165	R	FS	185161	,	<	180197
D	EOT	180183	S		180282	.	>	180198
D		180278	S	X OFF	180182	/	+	180199
D		①184346	S	X OFF	*183892	:	?	180200
E	WRU	180173	T	TAPE	180175		*	180205
E		180259	T		180261	-	(No Symbol)	180299
E	WRU	*183889	T	PR	185162		.	180336
F	RU	180184	U		180177	/	■	180335
F		180273	V		180193			180418
G	BELL	180185	W		180172			180419
G		180274	X		180191			184895
G	BELL	*183890	Y		180176			RUB OUT
H		180186	Z		180190			180201
H	BS	185163		!	180160			180202
I	TAB	180178	1	!	①184334			180203
I		180262	1		180264			180206
J		180187	1		180264			180207
K	VT	180188	2	"	①180161			180208
K		180280	2	"	①184335			180257
K	□	180383	3	#	180162			180382
K	I	185090	3	#	①184336			180382
L	FORM	*180189	3	#	①184336			180440
L		180281	4	\$	①180163			180441
L	∖	180385	4	\$	①184337			180442
L	FORM	185164	4	\$	①184337			180443
M		180196	5	%	180164			180444
M	□	180384	5	%	①184338			180061
M	I	185093	5	%	①184338			181253
N		180195	6	&	180165			②181971
N	BLK	185092	6	&	①184339			①184815
N	∧	185150	7	'	180166			①184816
O	←	180179	7	'	①184340			①184817
O	└	185089	7	'	①184340			①184818
			8	(180167			184734
								185159
								180373

NOTE:
 All Keytops are gray with white characters except as noted.
 *Gray Keytops with yellow characters.
 ① Used on Numeric Keyboard.
 ② Used with parity control.

FIGURE 4. KEYTOPS



- ① Used in Bottom Row.
- ② Used in Second Row.
- ③ Used in Third Row.
- ④ Used in Top Row.
- ⑤ Used in Numeric Keyboard (Bottom Row).
- ⑥ Used in Numeric Keyboard (Second Row).
- ⑦ Used in Numeric Keyboard (Third Row).
- ⑧ Used in Numeric Keyboard (Top Row).

FIGURE 5. KEYLEVERS

SECTION 574-121-800TC

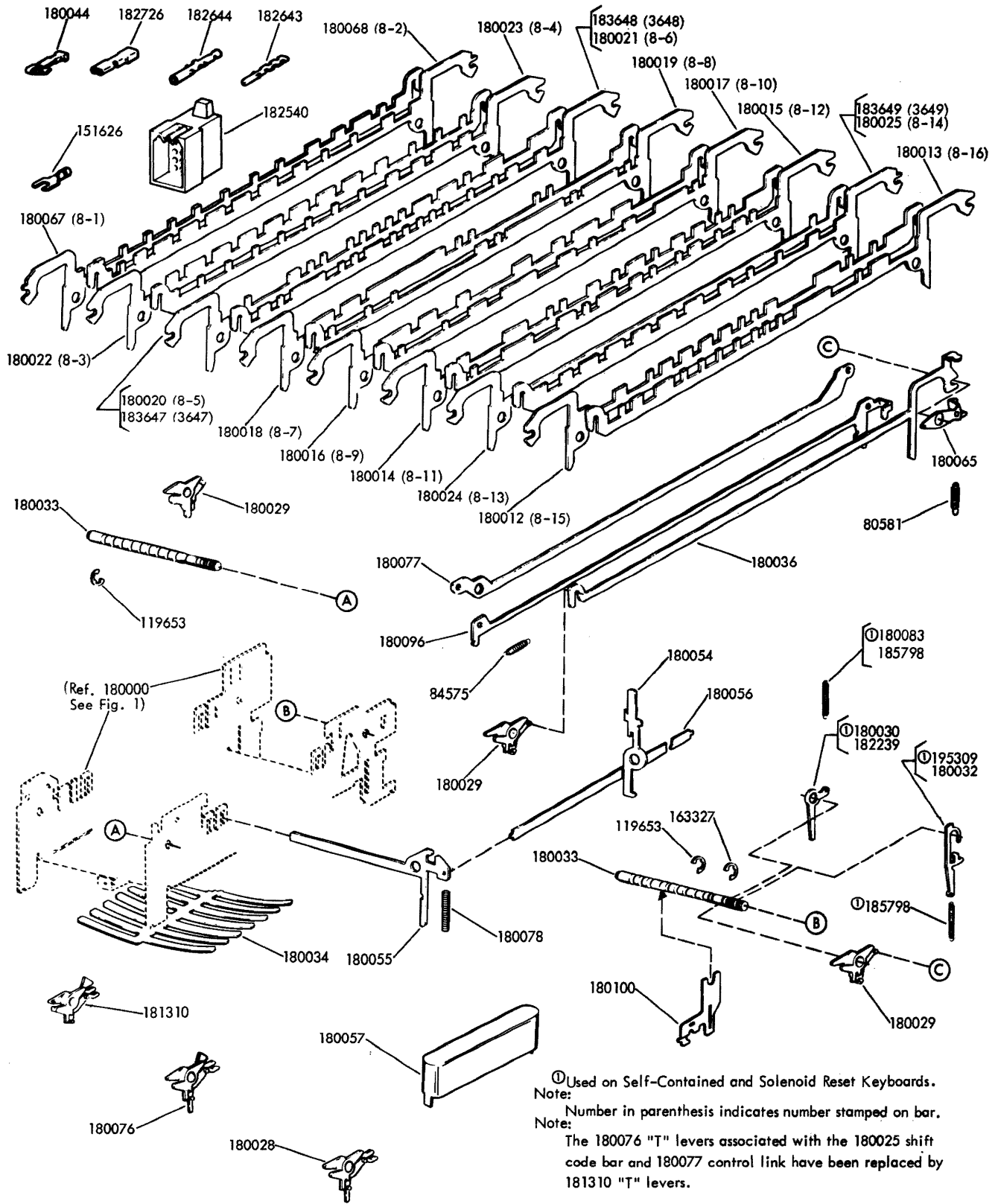


FIGURE 6. CODE BAR MECHANISM

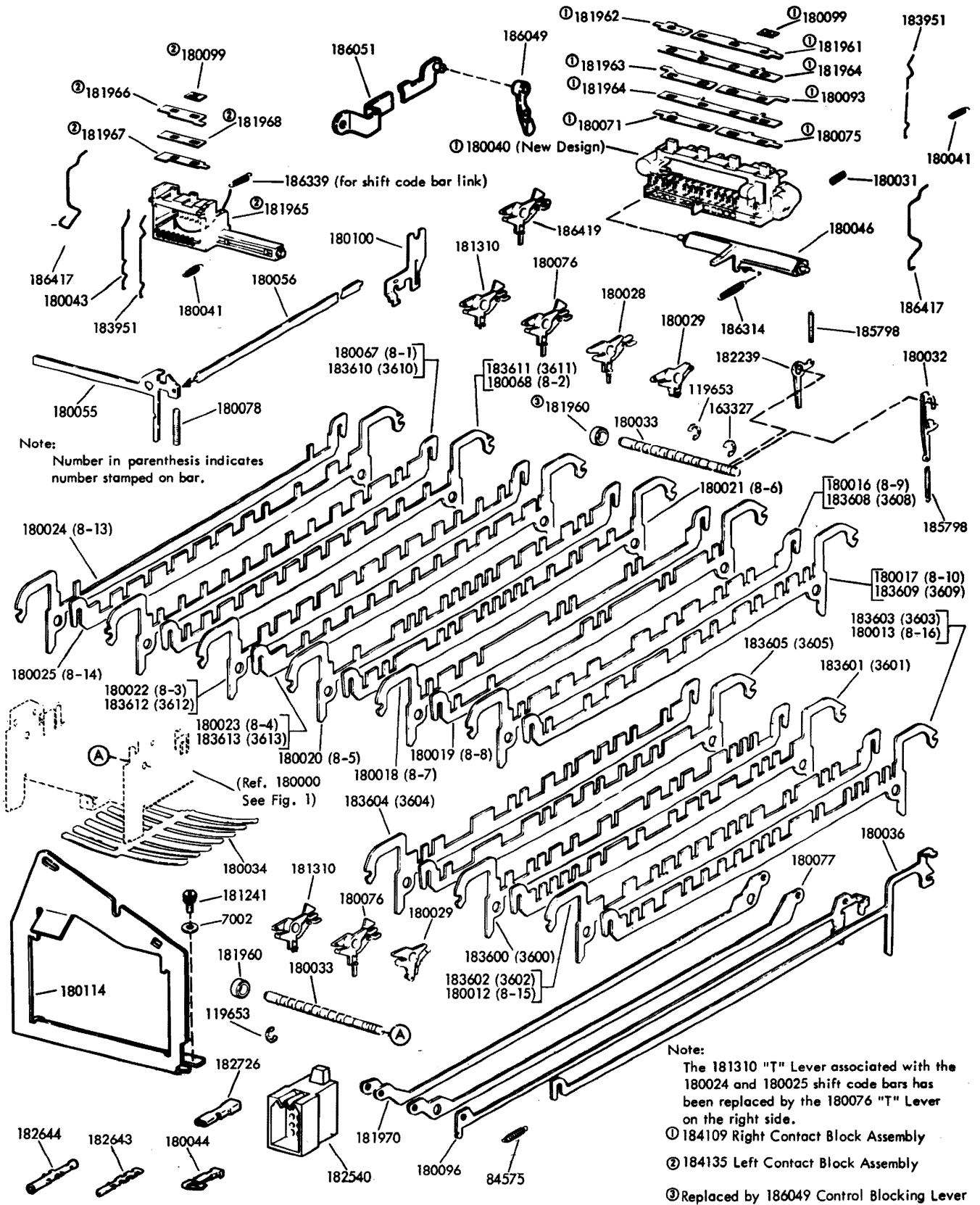


FIGURE 7. CODE BAR MECHANISM FOR UNITS EQUIPPED WITH EVEN PARITY

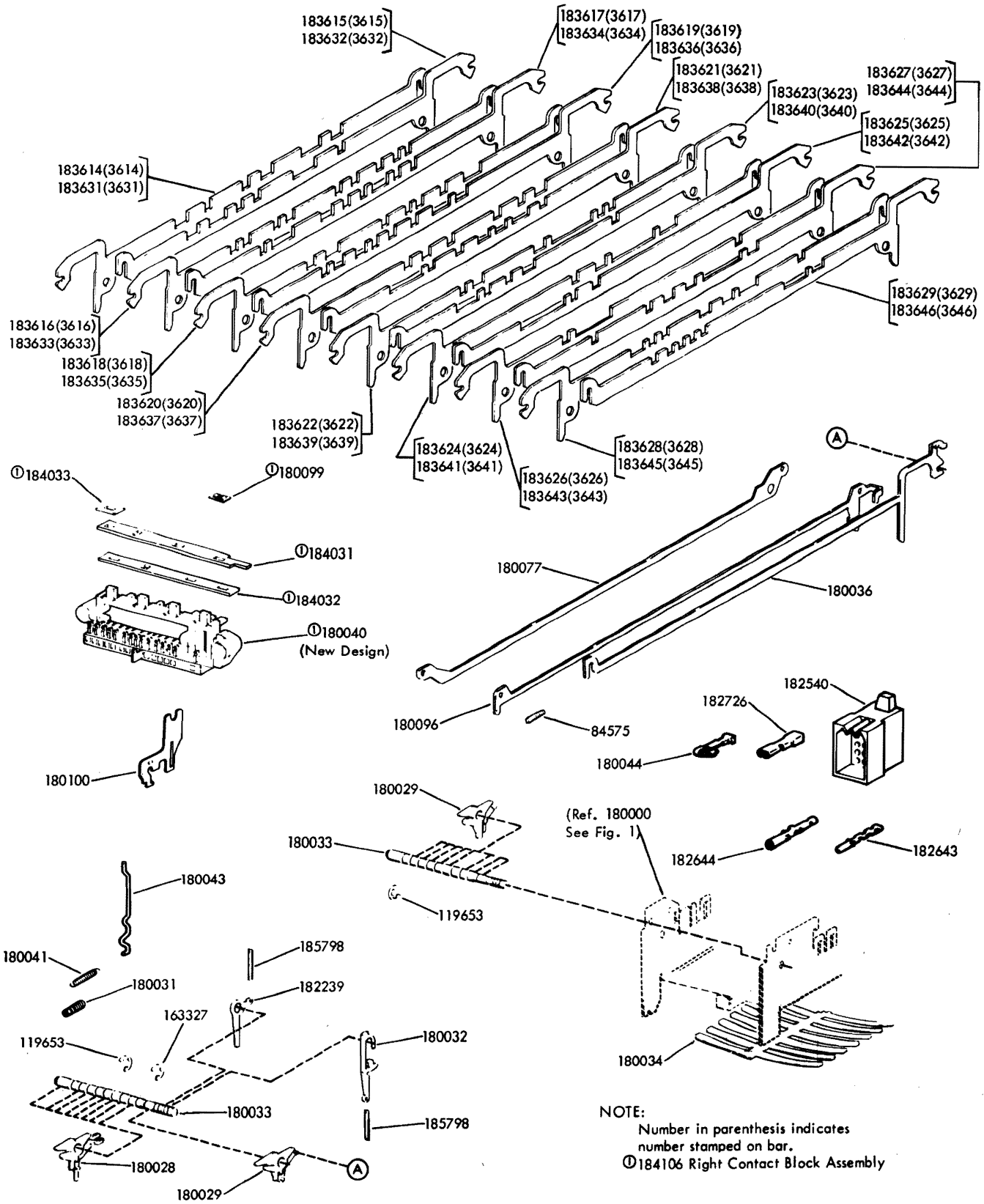


FIGURE 8. CODE BAR MECHANISM FOR NUMERIC KEYBOARD

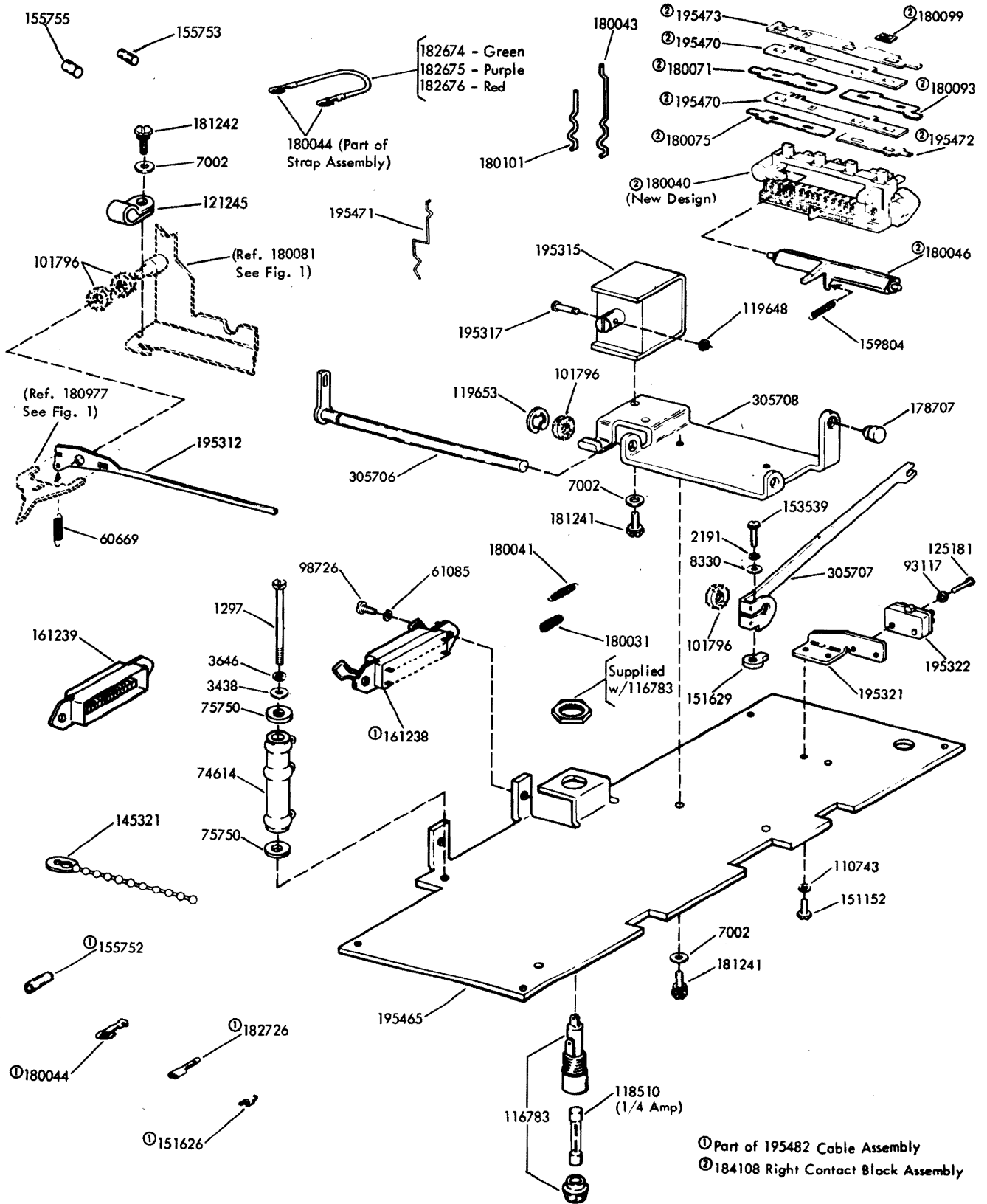


FIGURE 9. RESET MECHANISM FOR SELF-CONTAINED AND SOLENOID RESET KEYBOARDS

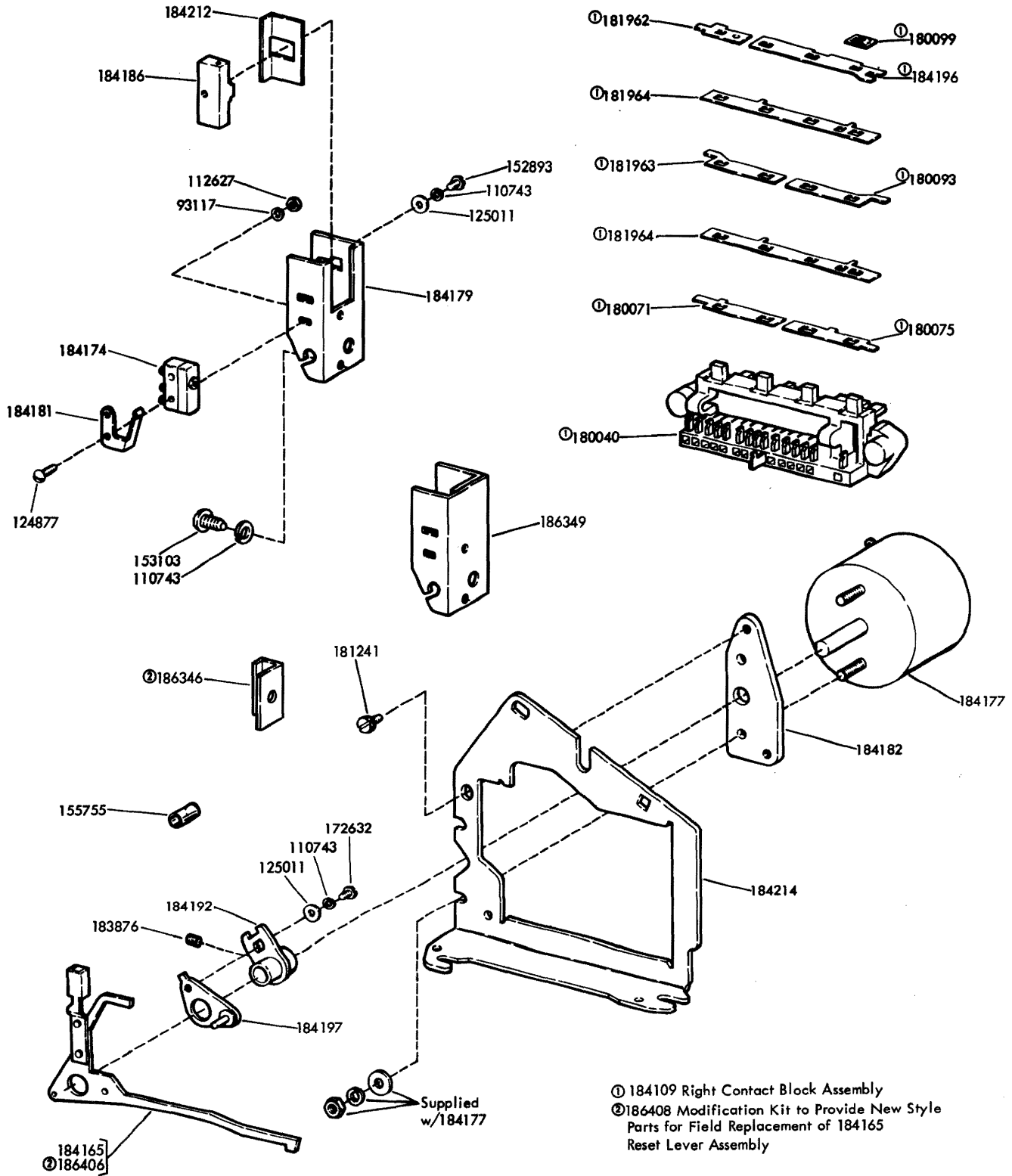
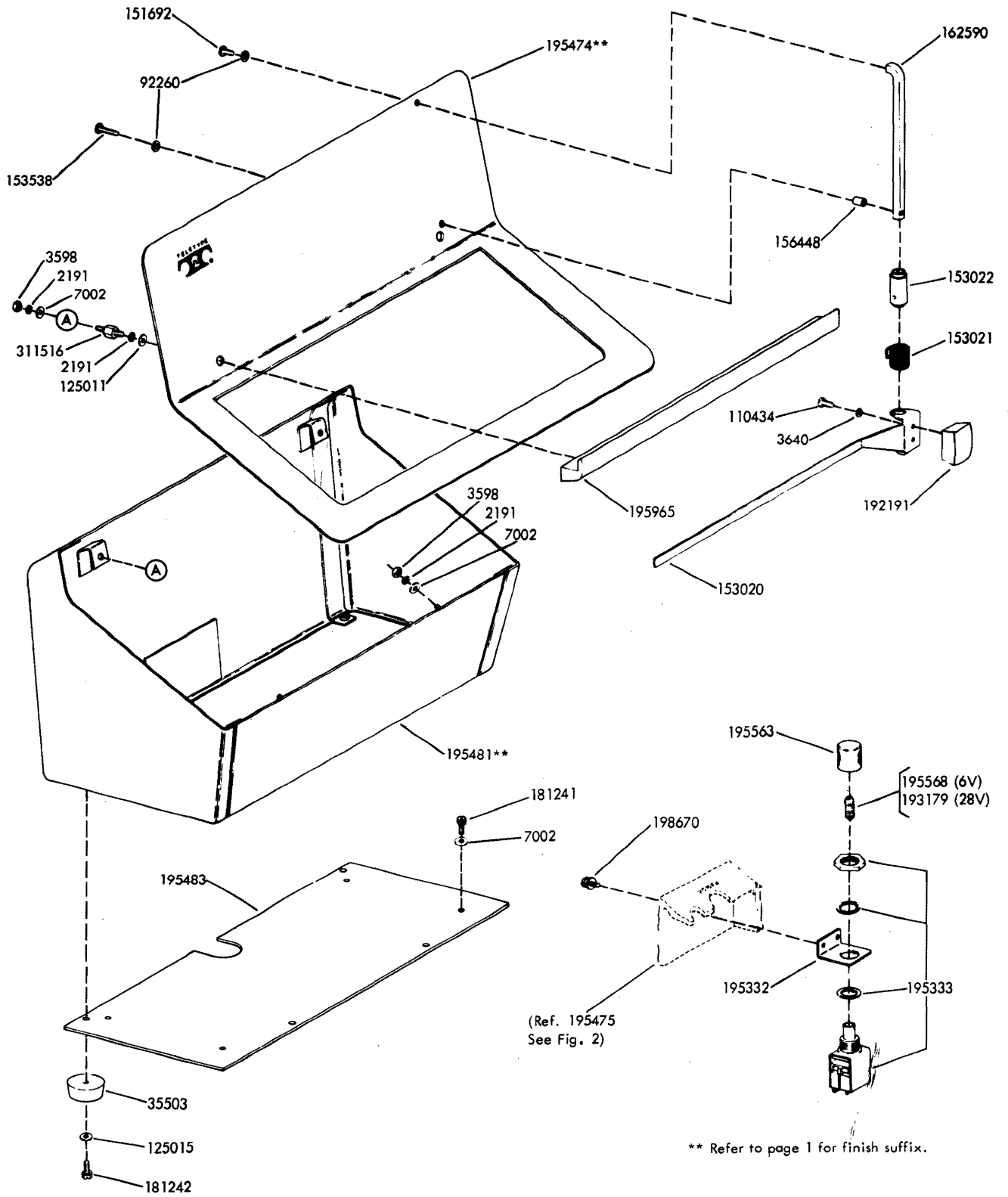


FIGURE 10. RESET MECHANISM FOR EVEN PARITY KEYBOARD



** Refer to page 1 for finish suffix.

FIGURE 11. COVER FOR SELF-CONTAINED AND SOLENOID RESET KEYBOARDS

NUMERICAL INDEX

Part Number	Description and Page Number	Part Number	Description and Page Number	Part Number	Description and Page Number
1297	Screw, 6-40 x 2-7/16 Fil 9	162590	Shaft 11	180114	Bracket, Left Keyboard 2,7
2191	Washer, Lock 3,9,11	163327	Ring, Retaining 6,7,8	180115	Modification Kit 2
3438	Washer, Flat 9	172632	Screw, 4-40 x 3/16 Hex 10	180116	Keylever 5
3598	Nut, 6-40 Hex 11	178707	Bumper, Rubber 9	180160	Keytop 4
3624	Washer, Flat 2	180000	Frame, Keyboard 2,6,7,8	180161	Keytop 4
3640	Washer, Lock 3,11	180012	Bar, #1 Rear Code 6,7	180162	Keytop 4
3646	Washer, Lock 9	180013	Bar, #1 Front Code 6,7	180163	Keytop 4
7002	Washer, Flat 3,7,9,11	180014	Bar, #2 Rear Code 6	180164	Keytop 4
8330	Washer, Flat 9	180015	Bar, #2 Front Code 6	180165	Keytop 4
35503	Foot, Rubber 11	180016	Bar, #3 Rear Code 6,7	180166	Keytop 4
60669	Spring 9	180017	Bar, #3 Front Code 6,7	180167	Keytop 4
61085	Washer, Lock 9	180018	Bar, #4 Rear Code 6,7	180168	Keytop 4
74614	Resistor, 2,600 Ohm 9	180019	Bar, #4 Front Code 6,7	180169	Keytop 4
75750	Washer, Insulating 9	180020	Bar, #5 Rear Code 6,7	180170	Keytop 4
800342	Screw, 6-40 x 23/64 Hex 3	180021	Bar, #5 Front Code 6,7	180172	Keytop 4
80581	Spring 6	180022	Bar, #6 Rear Code 6,7	180173	Keytop 4
82442	Spring 2	180023	Bar, #5 Front Code 6,7	180174	Keytop 4
84575	Spring 6,7,8	180024	Bar, #5 Rear Code 6,7	180175	Keytop 4
91229	Strap, 2" Braided 2	180025	Bar, #5 Front Code 6,7	180176	Keytop 4
92260	Washer, Lock 11	180027	Cover, Keyboard 3	180177	Keytop 4
93117	Washer, Lock 9,10	180028	Lever 6,7,8	180178	Keytop 4
98726	Screw, 3-48 x 1/4 Fil 9	180029	Lever 6,7,8	180179	Keytop 4
100337	Spring 2	180030	Lever, Latch 6	180180	Keytop 4
101796	Washer, Felt 9	180031	Spring, Compression 2,7,8,9	180181	Keytop 4
110434	Screw, 4-40 x 3/16 Fil 11	180032	Lever, Non-Repeat 6,7,8	180182	Keytop 4
110743	Washer, Lock 9,10	180033	Shaft 6,7,8	180183	Keytop 4
112627	Nut, 2-56 Hex 10	180034	Spring, Flat 6,7,8	180184	Keytop 4
116783	Holder, Fuse 9	180036	Bar, Universal Code 6,7,8	180185	Keytop 4
117608	Nut, Speed 3	180040	Block, Contact 2,7,8,9,10	180186	Keytop 4
118510	Fuse, 1/4 Amp 9	180041	Spring 2,7,8,9	180187	Keytop 4
119648	Ring, Retaining 3,9	180043	Wire, Contact 2,7,8,9	180188	Keytop 4
119651	Ring, Retaining 3	180044	Terminal, Tab Type 2,6,7,8,9	180189	Keytop 4
119652	Ring, Retaining 3	180046	Bail, Contact Reset 2,7,9	180190	Keytop 4
119653	Ring, Retaining 6,7,8,9	180048	Keylever 5	180191	Keytop 4
121245	Clamp, 5/16ID Cable 9	180049	Keylever 5	180192	Keytop 4
124877	Screw, 2-56 x 1/2 Rd 10	180050	Keylever 5	180193	Keytop 4
125011	Washer, Flat 10,11	180051	Keylever 5	180194	Keytop 4
125015	Washer, Flat 11	180052	Keylever, Shift 5	180195	Keytop 4
125179	Screw, 6-32 x 3/16 Rd 3	180054	Keylever, Space Bar 5,6	180196	Keytop 4
125181	Screw, 2-56 x 3/8 Fil 9	180055	Keylever, Space 6,7	180197	Keytop 4
145321	Tie, Cable 9	180056	Link, Space 6,7	180198	Keytop 4
151152	Screw, 4-40 x 3/16 Hex 9	180057	Bar, Space 4,6	180199	Keytop 4
151626	Terminal 6,9	180061	Keytop 4	180200	Keytop 4
151629	Nut, 6-40 Lug 3,9	180064	Keylever, Repeat 5	180201	Keytop 4
151686	Screw, 6-40 x 3/8 Fil 3	180065	Lever, Line Break 6	180202	Keytop 4
151692	Screw, 6-40 x 3/16 Fil 11	180066	Keylever 5	180203	Keytop 4
151721	Screw, 6-40 x 3/4 Hex 3	180067	Bar, #7 Rear Code 6,7	180205	Keytop 4
151880	Nut, 4-40 Hex 3	180068	Bar, #7 Front Code 6,7	180206	Keytop 4
152893	Screw, 4040 x 1/4 Hex 10	180069	Keylever, Line Break 5	180207	Keytop 4
153020	Guide, Line 11	180071	Terminal 2,7,9,10	180208	Keytop 4
153021	Spring, Torsion 11	180072	Keylever, Line Break 5	180257	Keytop 4
153022	Bushing 11	180075	Terminal, Line Break 2,7,9,10	180259	Keytop 4
153103	Screw, 4-40 Self-Tapping 10	180076	Lever, #5 Pulse 6,7	180260	Keytop 4
153267	Washer, Felt 3	180077	Link 6,7,8	180261	Keytop 4
153538	Screw, 6-40 x 7/16 Hex 11	180078	Spring, Compression 5,6,7	180262	Keytop 4
153539	Screw, 6-40 x 11/16 Hex 9	180081	Bracket, Right Keyboard 2,3,9	180264	Keytop 4
155752	Sleeve, 5/64 ID x 1/2 Lg Insulating 9	180082	Bracket, Left Keyboard 2	180273	Keytop 4
155753	Sleeve, 1/8 ID x 1/2 Lg Insulating 9	180083	Spring 6	180274	Keytop 4
155755	Sleeve, 11/64 ID x 5/8 Lg Insulating 3,9,10	180084	Cover, Keyboard 3	180278	Keytop 4
156448	Bushing 11	180090	Terminal, Common 2	180280	Keytop 4
159804	Spring 9	180093	Terminal 2,7,9,10	180281	Keytop 4
161238	Connector, 36 Pt Receptacle 9	180094	Insulator 2	180282	Keytop 4
161239	Connector, 36 Pt Plug 9	180096	Link 6,7,8	180299	Keytop 4
161346	Washer, Felt 3	180099	Fastener 2,7,8,9,10	180335	Keytop 4
		180100	Guide 6,7,8	180336	Keytop 4
		180101	Wire, Contact 2,9	180373	Keytop 4
		180106	Keylever 5	180374	Keytop 4
		180107	Detent 2		

NUMERICAL INDEX (Continued)

Part Number	Description and Page Number	Part Number	Description and Page Number	Part Number	Description and Page Number
180382	Keytop 4	183620	Bar, Code 8	184338	Keytop 4
180383	Keytop 4	183621	Bar, Code 8	184339	Keytop 4
180384	Keytop 4	183622	Bar, Code 8	184340	Keytop 4
180385	Keytop 4	183623	Bar, Code 8	184341	Keytop 4
180418	Keytop 4	183624	Bar, Code 8	184342	Keytop 4
180419	Keytop 4	183625	Bar, Code 8	184343	Keytop 4
180440	Keytop 4	183626	Bar, Code 8	184344	Keytop 4
180441	Keytop 4	183627	Bar, Code 8	184345	Keytop 4
180442	Keytop 4	183628	Bar, Code 8	184346	Keytop 4
180443	Keytop 4	183629	Bar, Code 8	184351	Keytop 4
180444	Keytop 4	183631	Bar, Code 8	184734	Keytop 4
180977	Plate W/Stud 2,9	183632	Bar, Code 8	184815	Keytop 4
181241	Screw w/Lockwasher, 6-40 x 1/4 Hex 7,9,10,11	183633	Bar, Code 8	184816	Keytop 4
181242	Screw w/Lockwasher, 6-40 x 5/16 Hex 9,11	183634	Bar, Code 8	184817	Keytop 4
181253	Keytop 4	183635	Bar, Code 8	184818	Keytop 4
181254	Keylever 5	183636	Bar, Code 8	184869	Keytop 4
181255	Keylever 5	183637	Bar, Code 8	184895	Keytop 4
181310	Lever 6,7	183638	Bar, Code 8	185089	Keytop 4
181960	Spacer, .144" Thk 7	183639	Bar, Code 8	185090	Keytop 4
181961	Terminal 7	183640	Bar, Code 8	185092	Keytop 4
181962	Terminal 7,10	183641	Bar, Code 8	185093	Keytop 4
181963	Terminal, Parity 7,10	183642	Bar, Code 8	185150	Keytop 4
181964	Insulator 7,10	183643	Bar, Code 8	185159	Keytop 4
181965	Block, Contact 7	183644	Bar, Code 8	185160	Keytop 4
181966	Terminal 7	183645	Bar, Code 8	185161	Keytop 4
181967	Terminal 7	183646	Bar, Code 8	185162	Keytop 4
181968	Insulator 7	183647	Bar, Code 6	185163	Keytop 4
181970	Link W/Extension 7	183648	Bar, Code 6	185164	Keytop 4
181971	Keytop 4	183649	Bar, Code 6	185165	Keytop 4
181975	Keylever 5	183876	Screw, 6-32 Set 10	185619	Frame, Left Keyboard 2
181976	Keylever 5	183888	Keytop 4	185620	Frame, Right Keyboard 2
181979	Bracket, Left Keyboard 2	183889	Keytop 4	185766	Lever 2,3
182239	Lever, Latch 6,7,8	183890	Keytop 4	185780	Spring, Compression 5
182540	Connector, 15 Pt Plug Type 6,7,8	183891	Keytop 4	185798	Spring 6,7,8
182643	Terminal, Plug Type 3,6,7,8	183892	Keytop 4	185801	Modification Kit 1
182644	Terminal, Receptacle Type 3,6,7,8	183951	Wire, Contact 2,7	185802	Solenoid 3
182674	Jumper, 2-1/4" Green 2,9	184021	Cover, Keyboard 3	185803	Clip 3
182675	Jumper, 2-1/4" Purple 2,9	184022	Keylever 5	185804	Bracket 3
182676	Jumper, 2-1/4" Red 2,9	184023	Keylever 5	185805	Lever 3
182726	Terminal, Receptacle Type 6, 7,8,9	184024	Keylever 5	185806	Shaft 3
183236	Keylever, Repeat 5	184025	Keytop 4	185871	Screw w/lockwasher, 8-32 x 3/8 Hex 2
183237	Cover, Keyboard 3	184026	Keytop 4	186049	Lever 7
183238	Keylever 5	184027	Keytop 4	186051	Link 7
183600	Bar, Code 7	184031	Terminal 8	186314	Spring 2,7
183601	Bar, Code 7	184032	Insulator, .031" Thk 8	186339	Spring 7
183602	Bar, Code 7	184033	Spacer, .035" Thk 8	186346	Shield, Magnetic 10
183603	Bar, Code 7	184106	Block Assembly, Right Contact 8	186349	Bracket 10
183604	Bar, Code 7	184107	Block Assembly, Right Contact 2	186406	Lever, Reset 10
183605	Bar, Code 7	184108	Block Assembly, Right Contact 9	186408	Modification Kit 10
183608	Bar, Code 7	184109	Block Assembly, Right Contact 7,10	186417	Wire, Contact 7
183609	Bar, Code 7	184135	Block Assembly, Left Contact 7	186419	Lever 7
183610	Bar, Code 7	184165	Lever, Reset 10	192191	Knob 11
183611	Bar, Code 7	184174	Switch, SP-DT 10	192538	Plug, Button 3
183612	Bar, Code 7	184177	Solenoid, Rotary 10	193179	Lamp, 28V 11
183613	Bar, Code 7	184179	Bracket 10	195307	Keylever, Repeat 5
183614	Bar, Code 8	184181	Actuator 10	195309	Lever, Non-Repeat 6
183615	Bar, Code 8	184182	Plate 10	195312	Lever, Reset 9
183616	Bar, Code 8	184186	Switch, Reed 10	195315	Solenoid w/Plunger 9
183617	Bar, Code 8	184192	Plate w/Hub 10	195317	Pin 9
183618	Bar, Code 8	184196	Terminal 10	195321	Bracket, Switch 9
183619	Bar, Code 8	184197	Plate w/Stud 10	195322	Switch 9
		184212	Guide 10	195332	Bracket, Power Switch 11
		184214	Bracket, Right 10	195333	Switch, Pushbutton 11
		184334	Keytop 4	195465	Plate, Mounting 9
		184335	Keytop 4	195470	Insulator, .031" Thk 9
		184336	Keytop 4	195471	Wire, Contact 9
		184337	Keytop 4		

NUMERICAL INDEX (Continued)

Part Number	Description and Page Number	Part Number	Description and Page Number	Part Number	Description and Page Number
195472	Terminal 9	195483	Plate 11	305537	Plug, Button 3
195473	Terminal, Common 9	195563	Lens, Red	305706	Shaft w/Link 9
195474**	Panel, Top 11		Pushbutton 11	305707	Arm, Reset 9
195475	Cover, Keyboard 3,11	195568	Lamp, 6V 11	305708	Bracket, Solenoid 9
195481**	Cover 11	195965	Tray, Copyholder 11	311516	Post 11
195482	Cable Assembly 9	198670	Screw, 6-40 Self-Tapping 11	321895	Post 3

**Refer to page 1 for finish suffix

33 TYPING UNIT (UP)

PARTS

FIGURE	CONTENTS	PAGE
1	Platen Mechanism - Friction Feed	2
2	Paper Handling Mechanism - Friction Feed	3
3	Platen Mechanism - Sprocket Feed	4
4	Platen Mechanism - Sprocket Feed (Continued)	5
5	Ribbon Feed Mechanism	6
6	Carriage Upper Plate Mechanism	7
7	Carriage Lower Plate Mechanism	8
8	Carriage Power Bail Mechanism	9
9	Carriage Drive Bail Mechanism	10
10	Main Shaft Mechanism - Friction Feed	11
11	Main Shaft Mechanism - Sprocket Feed	12
12	182015 Clutch Trip Lever Assembly	13
13	Code Bar Basket Mechanism	14
14	Function Box Mechanism	15
15	Function Shaft Mechanism	16
16	Selector Frame Mechanism	17
17	Clutch and Camsleeve Mechanism	18
18	Distributor Clutch Mechanism	19
19	Trip Shaft Mechanism	20
20	182964 Drive Arm Assembly	21
21	Clutch Trip Mechanism	21
22	Answer-Back Drum Mechanism	22
23	Answer-Back Trip Magnet Mechanism	22
24	Line Feed Function Lever Mechanism	23
25	Function Levers	24
26	185971 Modification Kit to Provide Printer With an End-of-Line Bell to Ring on Approximately the 62nd Character	25
27	185971 Modification Kit to Provide Controlled Single or Double Line Feed Feature on Friction Feed Printer	25
28	Typewheel Chart	26
29	Typewheel Chart (Continued)	27
30	Typewheel Chart (Continued)	28
31	Formout Mechanism - Sprocket Feed	29
32	Later Design Formout Mechanism - Sprocket Feed	30
33	Motor Contact - Sprocket Feed	30
34	Solenoid Print-Nonprint Reset Mechanism	31
35	Base	32
36	Sub Bases	33
37	Motors and Electrical Components	34
38	Cable Components	35
	Numerical Index	36

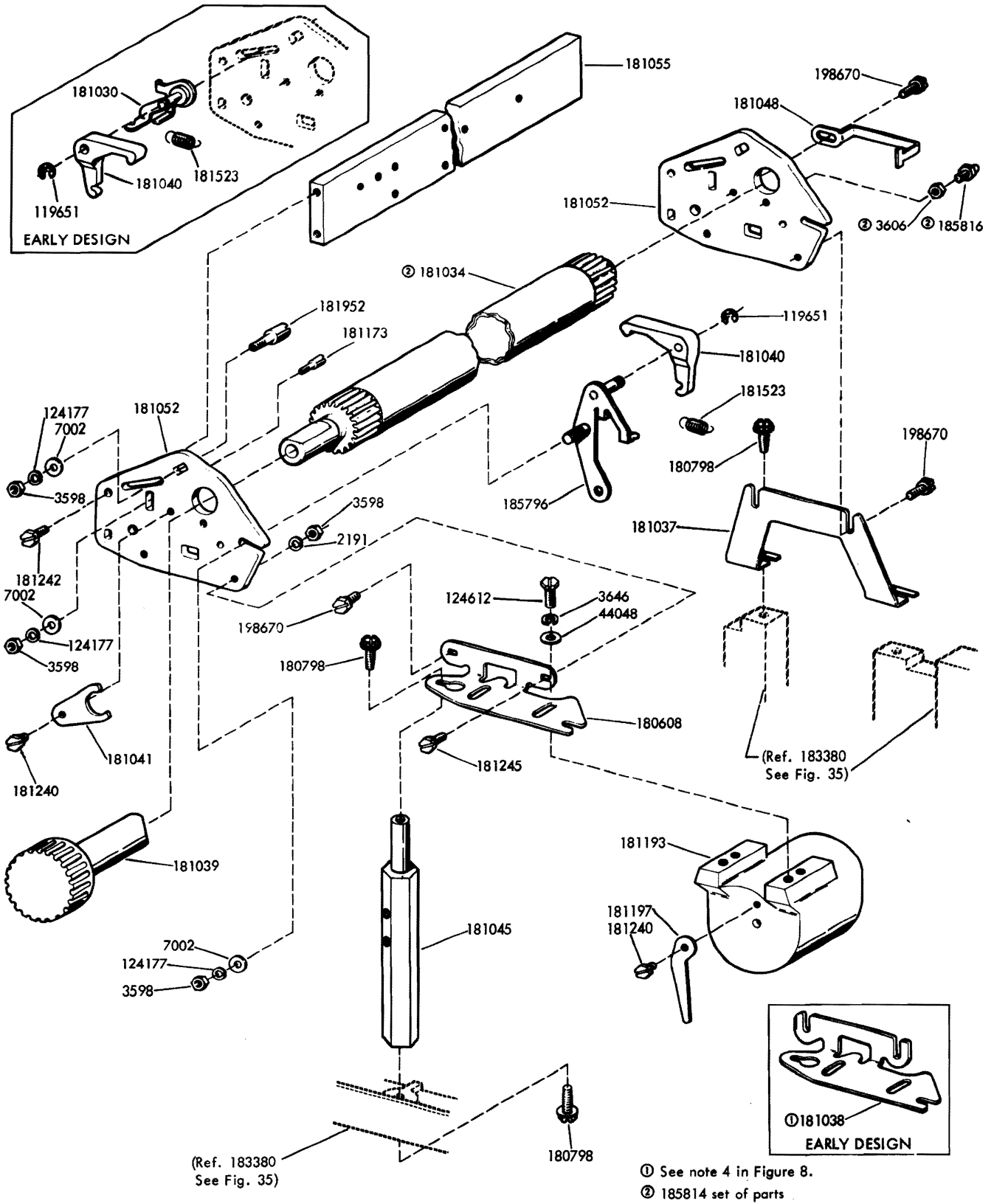


FIGURE 1. PLATEN MECHANISM - FRICTION FEED

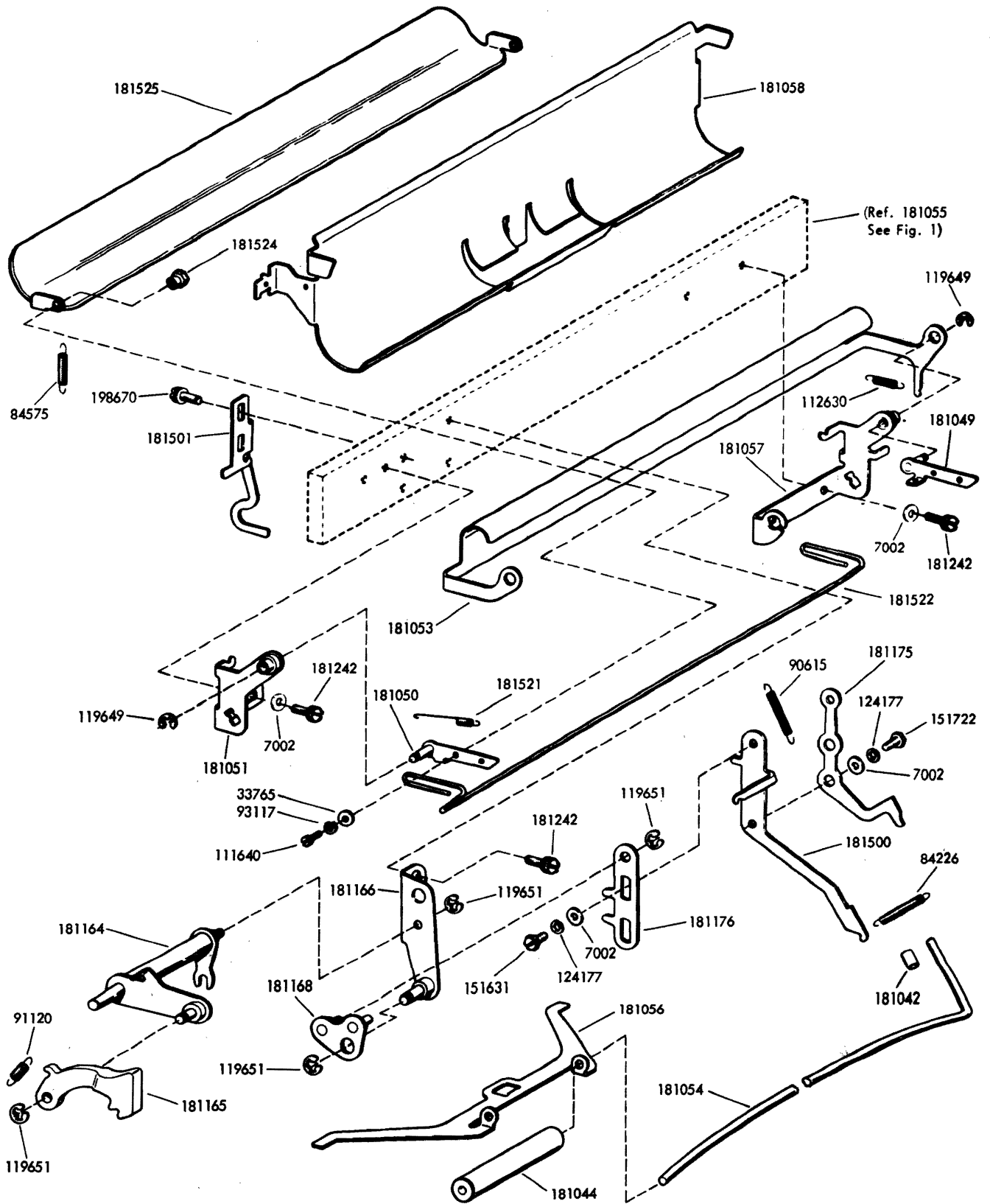


FIGURE 2. PAPER HANDLING MECHANISM - FRICTION FEED

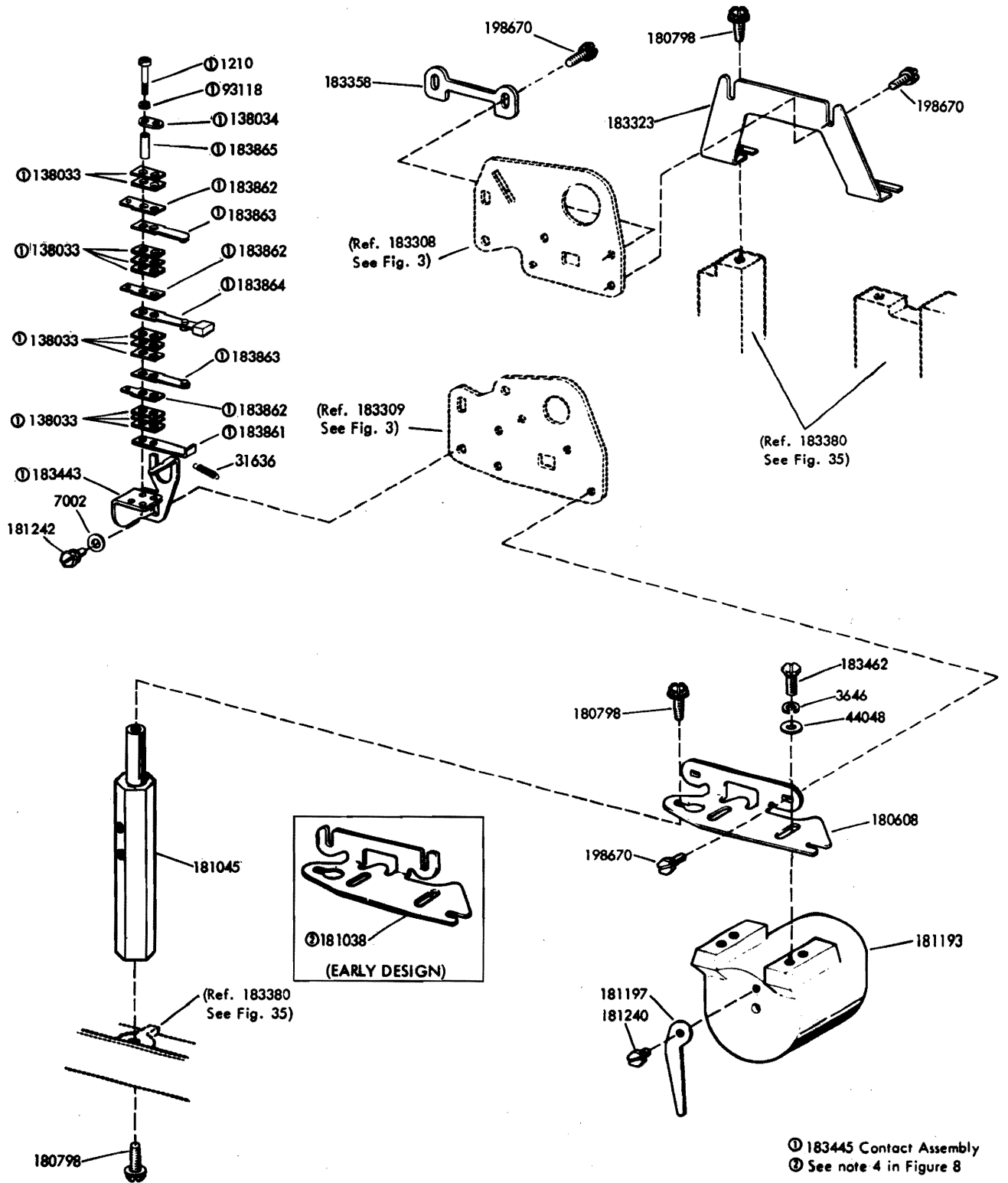


FIGURE 4. PLATEN MECHANISM - SPROCKET FEED (CONTINUED)

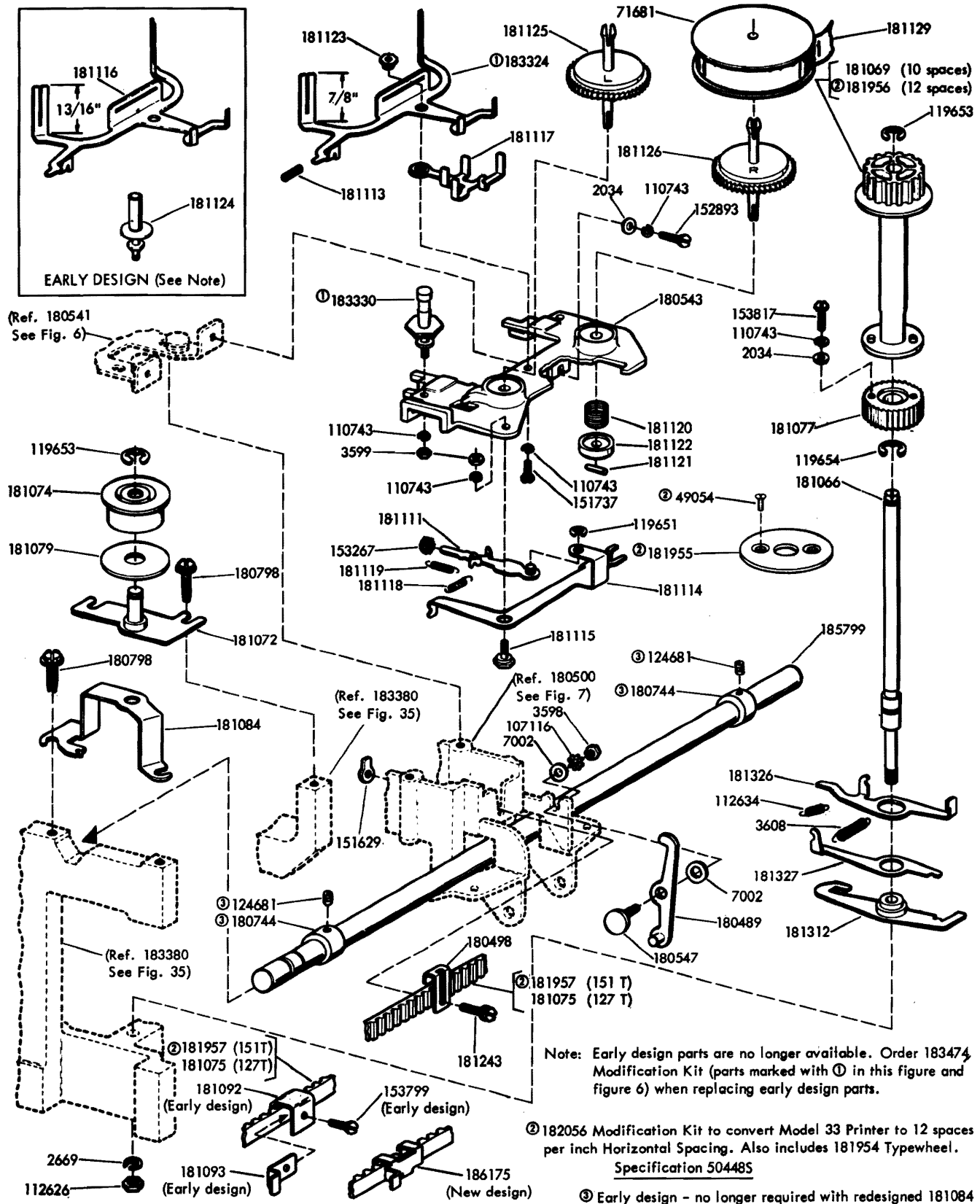


FIGURE 5. RIBBON FEED MECHANISM

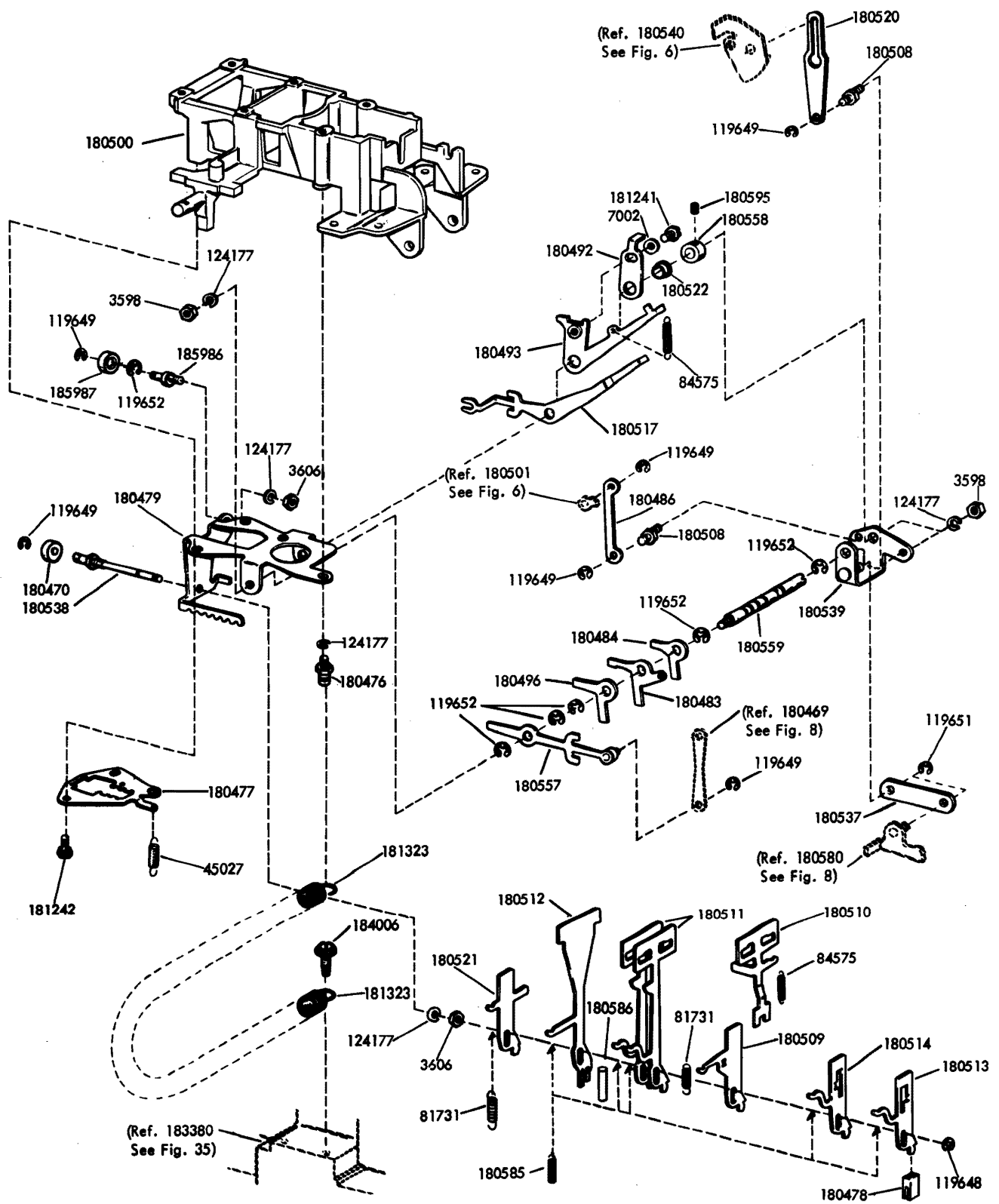


FIGURE 7. CARRIAGE LOWER PLATE MECHANISM

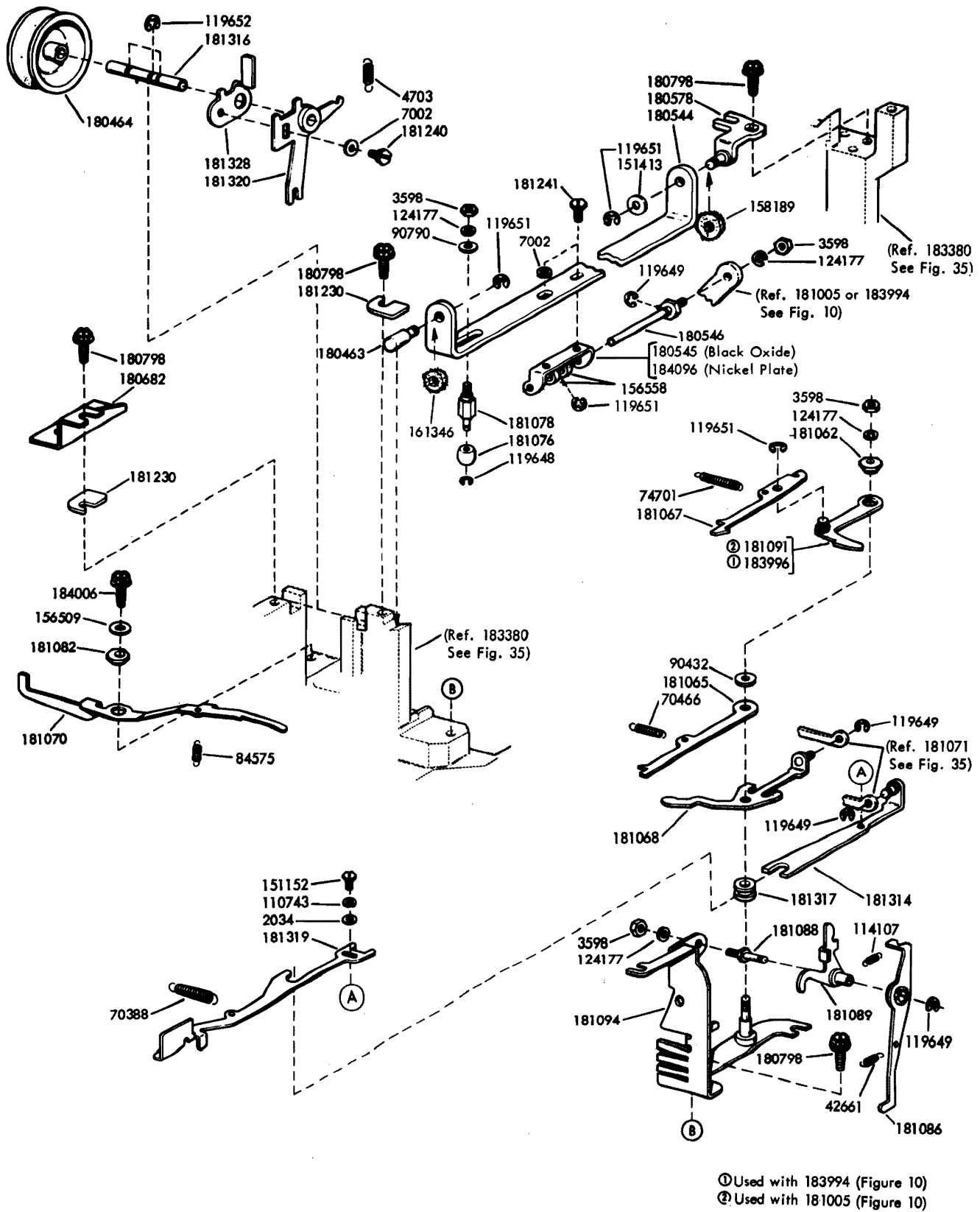


FIGURE 9. CARRIAGE DRIVE BAIL MECHANISM

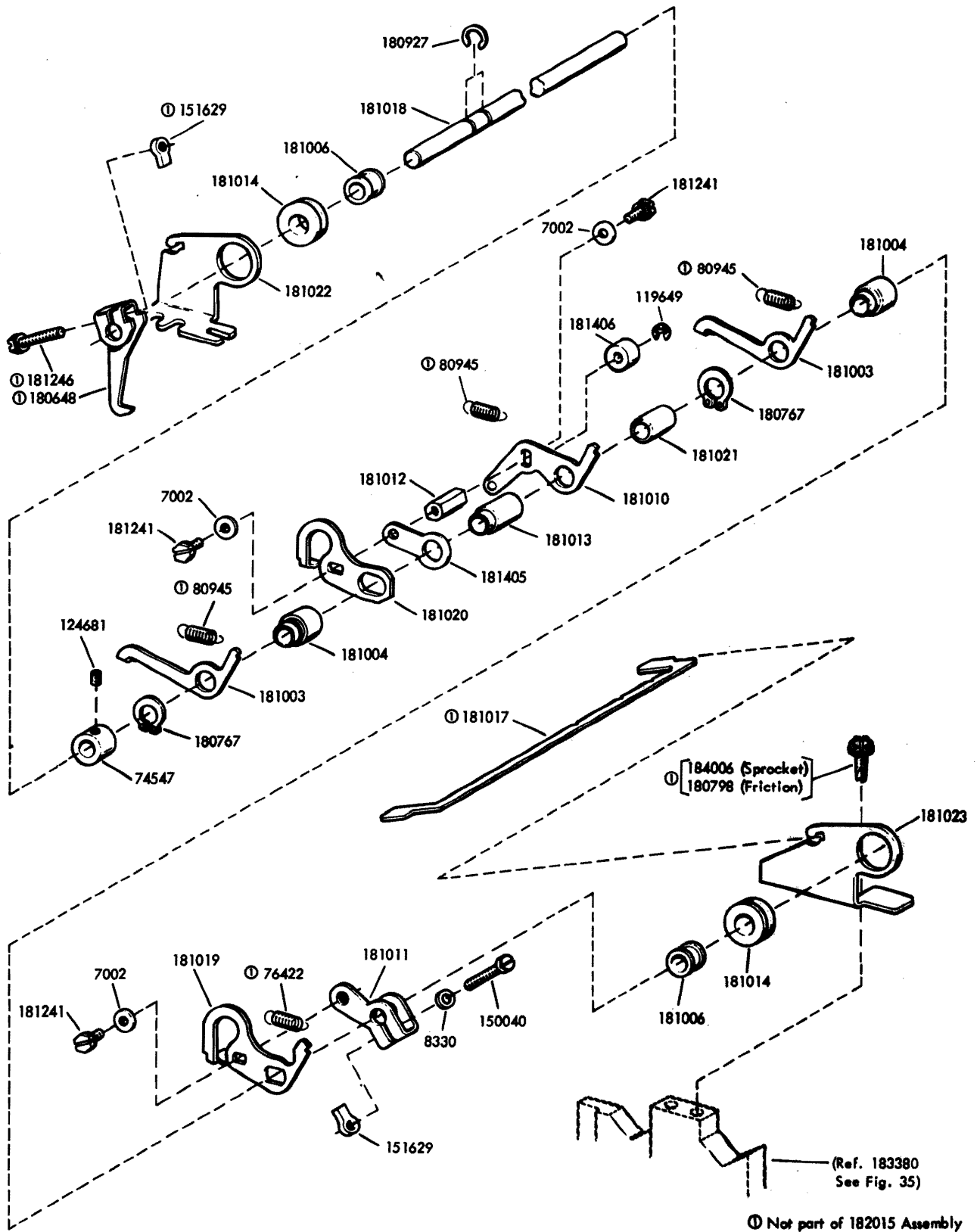
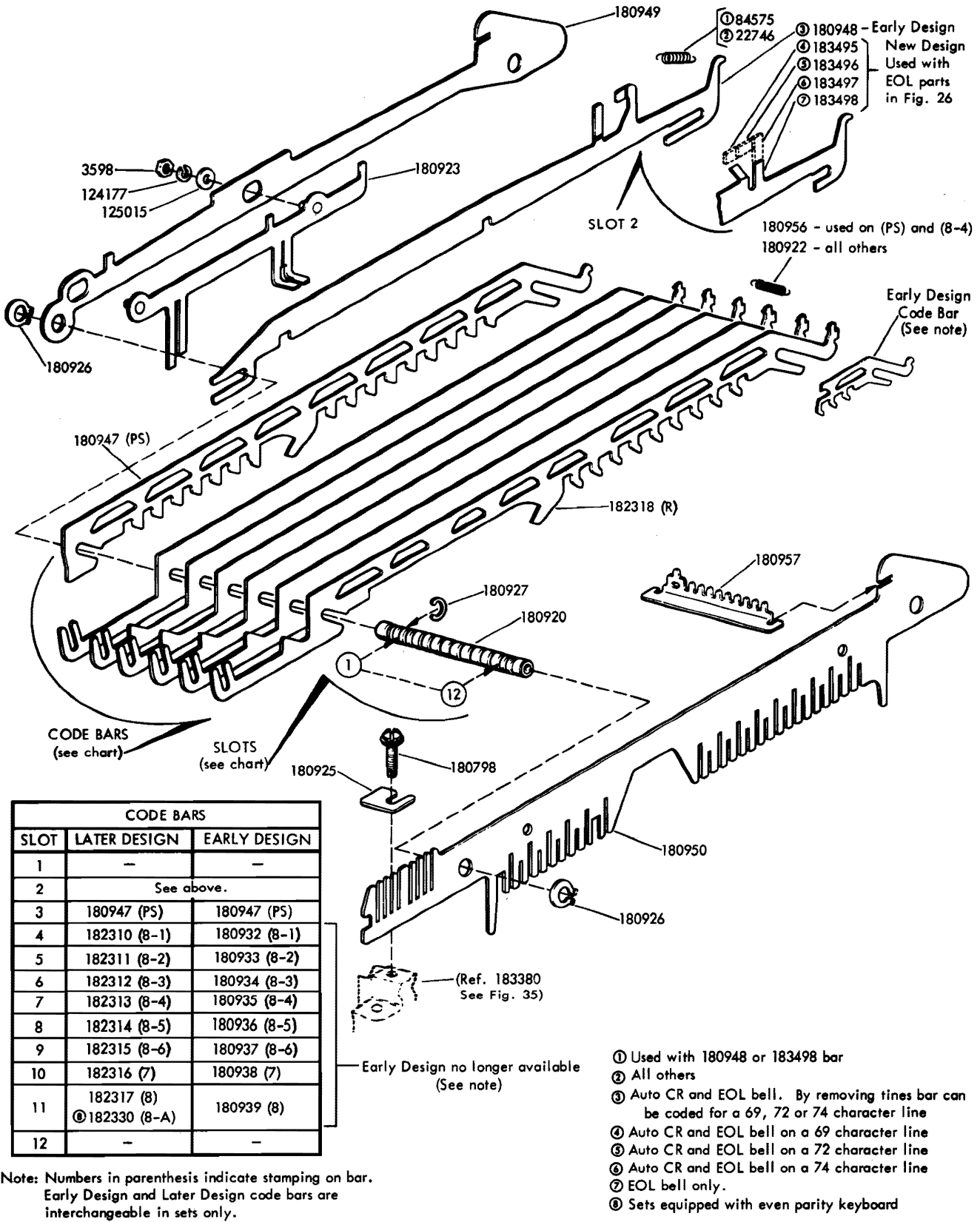


FIGURE 12. 182015 CLUTCH TRIP LEVER ASSEMBLY



CODE BARS		
SLOT	LATER DESIGN	EARLY DESIGN
1	-	-
2	See above.	
3	180947 (PS)	180947 (PS)
4	182310 (8-1)	180932 (8-1)
5	182311 (8-2)	180933 (8-2)
6	182312 (8-3)	180934 (8-3)
7	182313 (8-4)	180935 (8-4)
8	182314 (8-5)	180936 (8-5)
9	182315 (8-6)	180937 (8-6)
10	182316 (7)	180938 (7)
11	182317 (8) Ⓣ182330 (8-A)	180939 (8)
12	-	-

Note: Numbers in parenthesis indicate stamping on bar.
Early Design and Later Design code bars are interchangeable in sets only.

Early Design no longer available
(See note)

- Ⓛ Used with 180948 or 183498 bar
- Ⓜ All others
- Ⓨ Auto CR and EOL bell. By removing tines bar can be coded for a 69, 72 or 74 character line
- Ⓩ Auto CR and EOL bell on a 69 character line
- ⓐ Auto CR and EOL bell on a 72 character line
- ⓑ Auto CR and EOL bell on a 74 character line
- ⓓ EOL bell only.
- ⓔ Sets equipped with even parity keyboard

FIGURE 13. CODE BAR BASKET MECHANISM

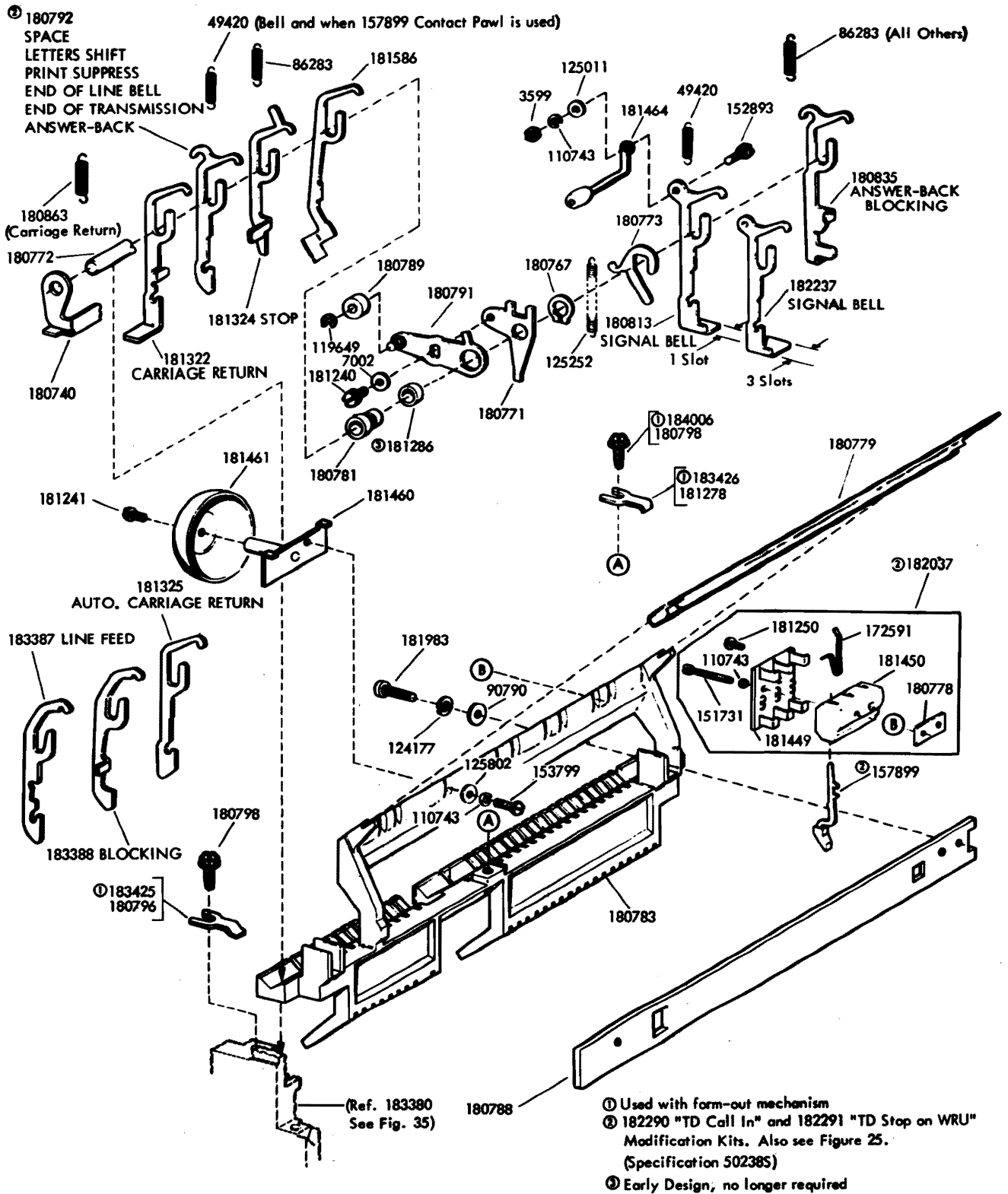


FIGURE 14. FUNCTION BOX MECHANISM

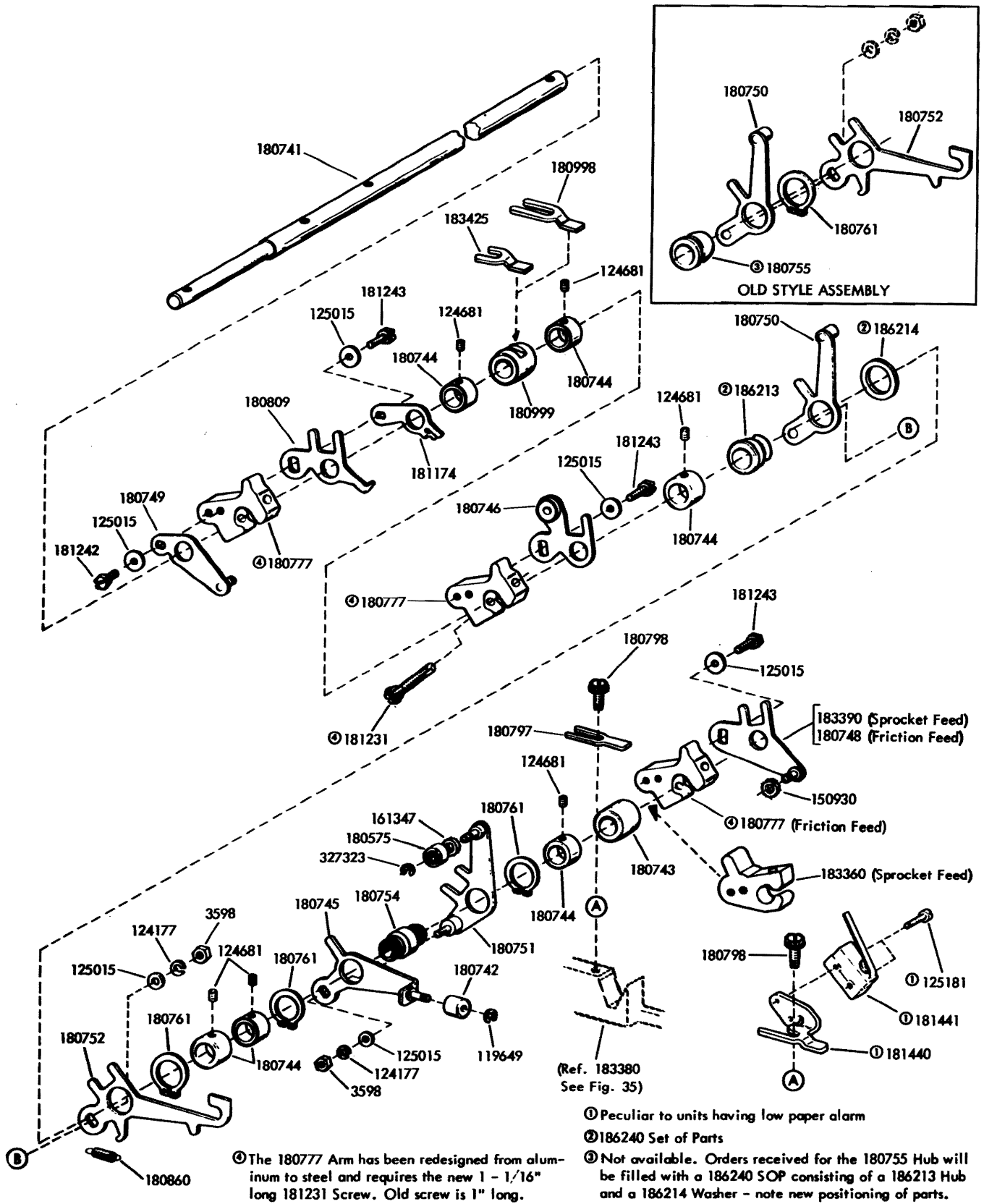


FIGURE 15. FUNCTION SHAFT MECHANISM

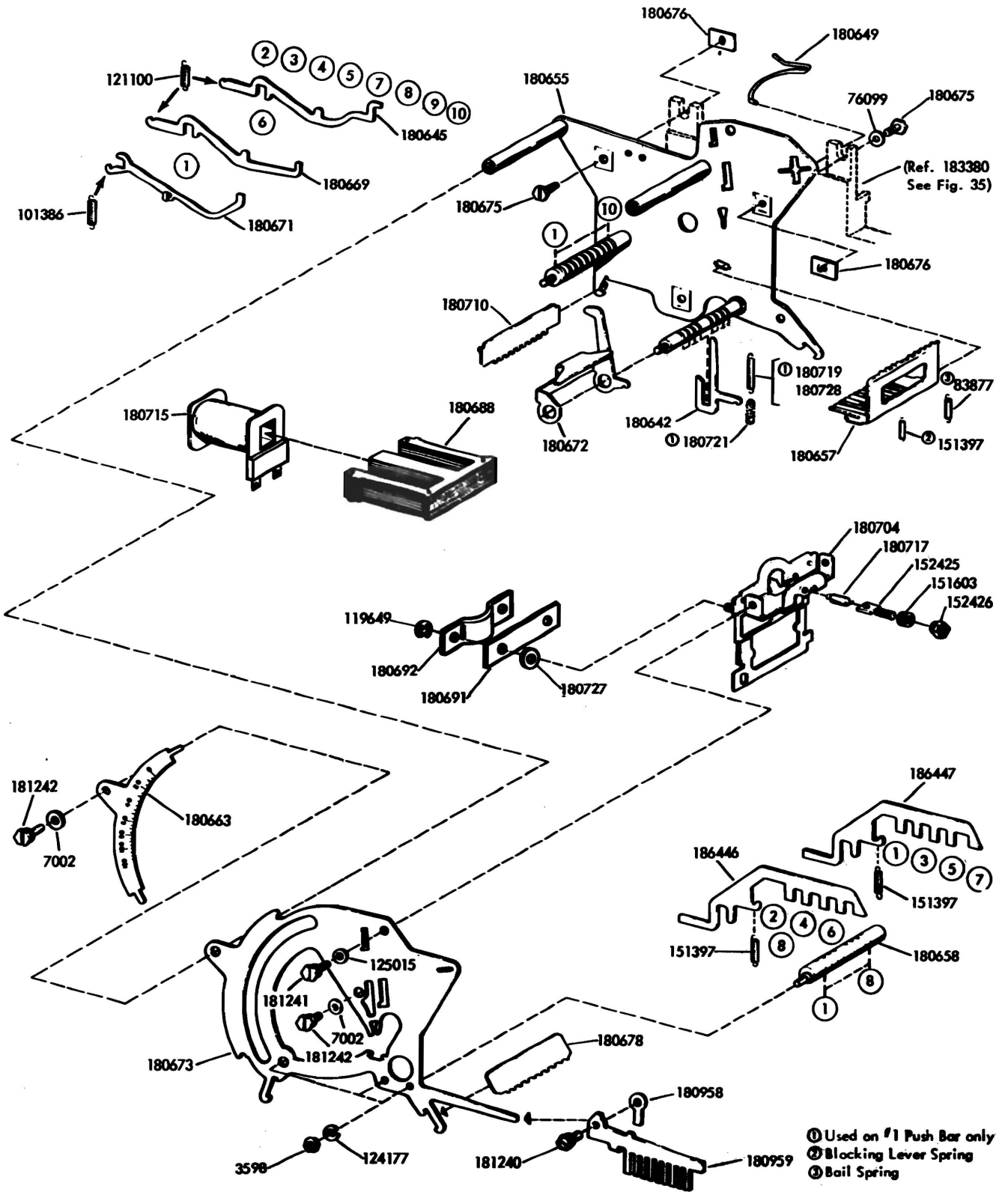


FIGURE 16. SELECTOR FRAME MECHANISM

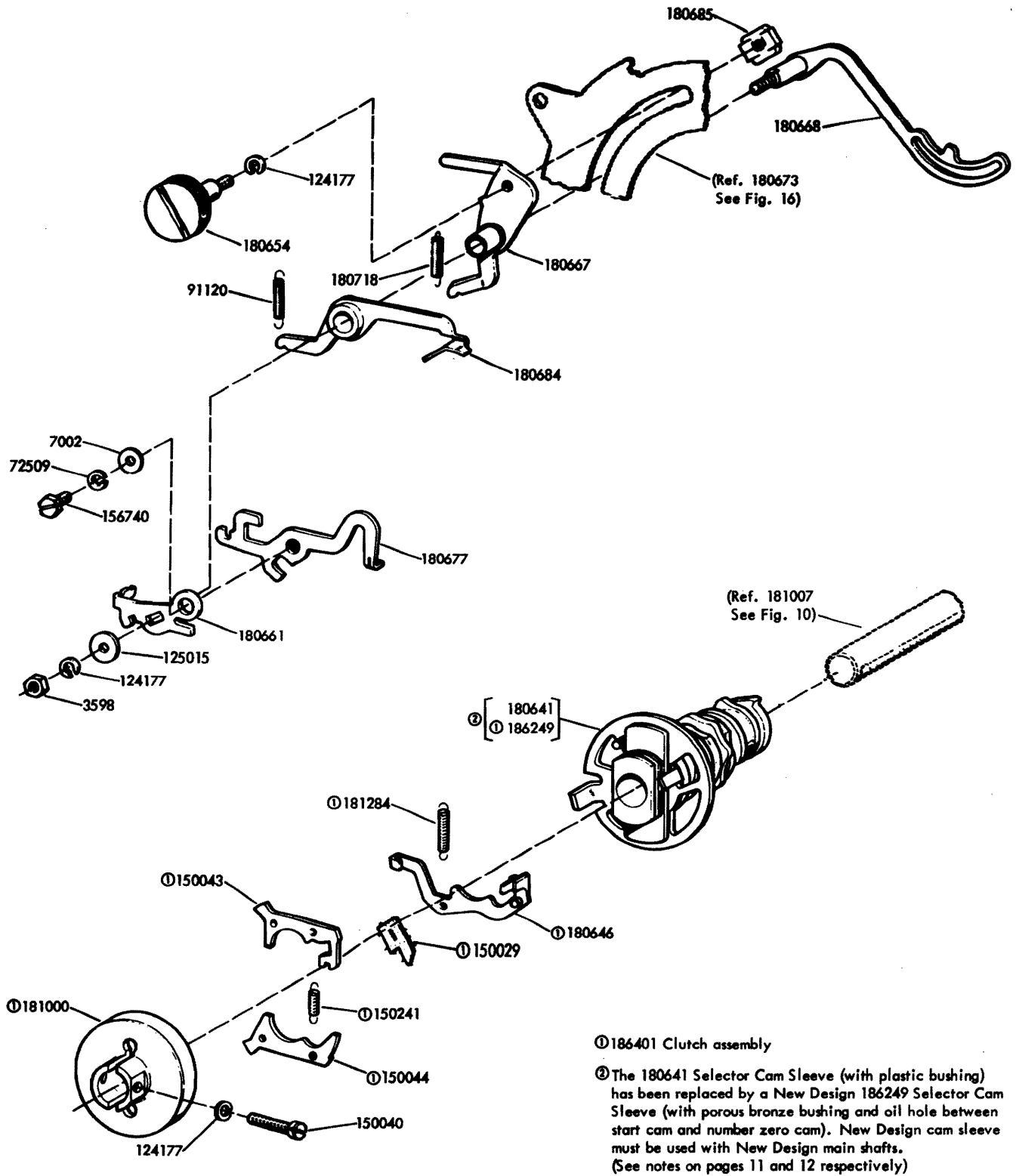
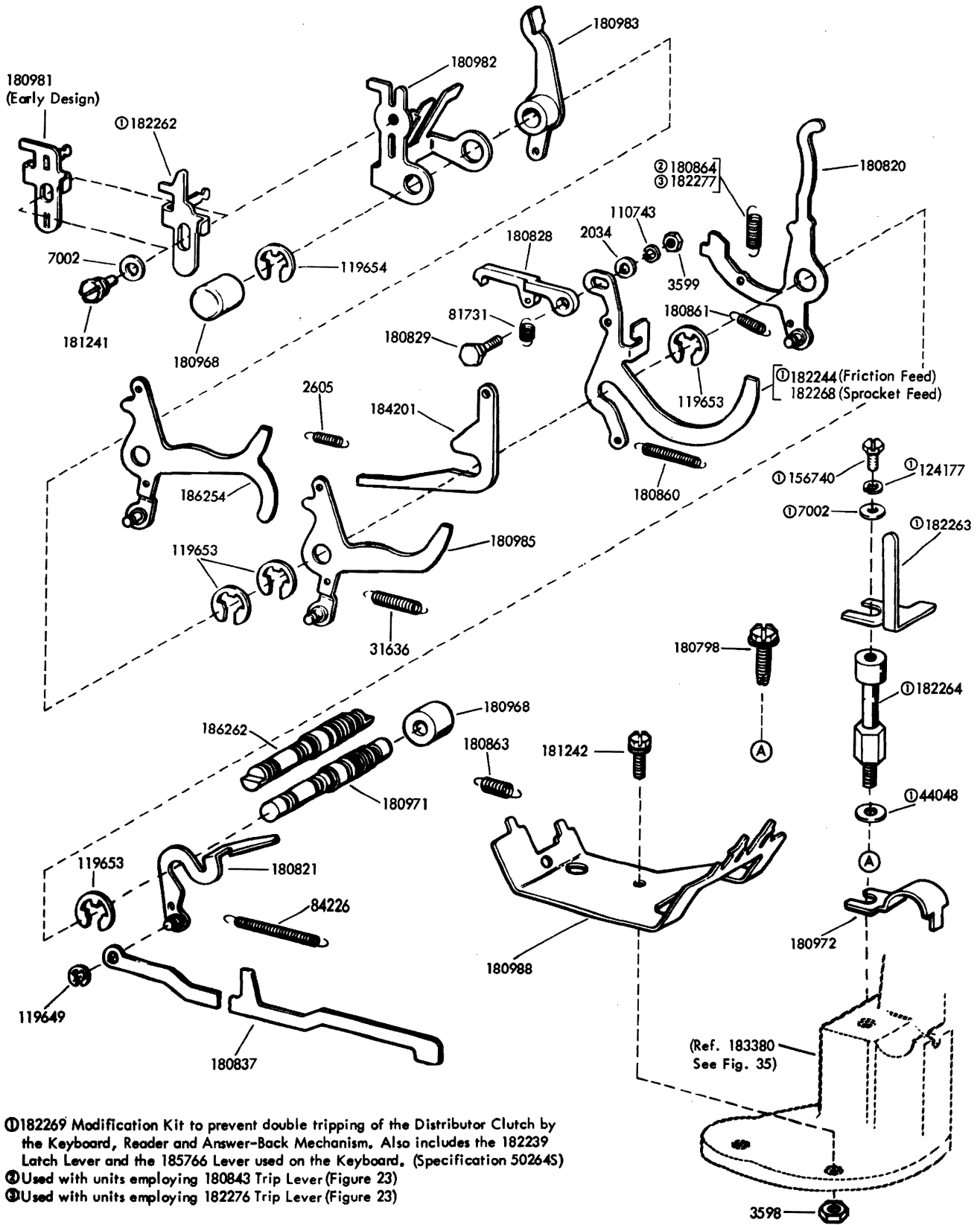


FIGURE 17. CLUTCH AND CAMSLEEVE MECHANISM



- ① 182269 Modification Kit to prevent double tripping of the Distributor Clutch by the Keyboard, Reader and Answer-Back Mechanism. Also includes the 182239 Latch Lever and the 185766 Lever used on the Keyboard. (Specification 502645)
- ② Used with units employing 180843 Trip Lever (Figure 23)
- ③ Used with units employing 182276 Trip Lever (Figure 23)

FIGURE 19. TRIP SHAFT MECHANISM

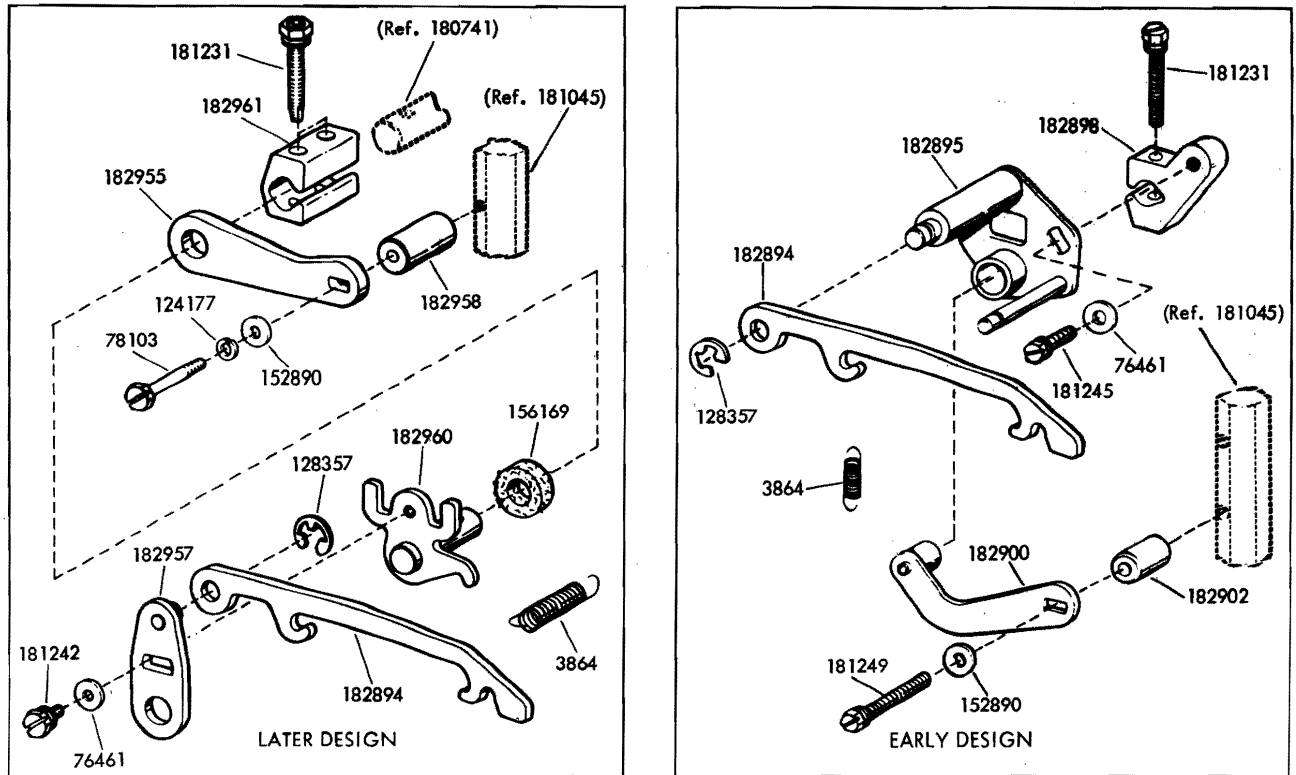


FIGURE 20. 182964 DRIVE ARM ASSEMBLY

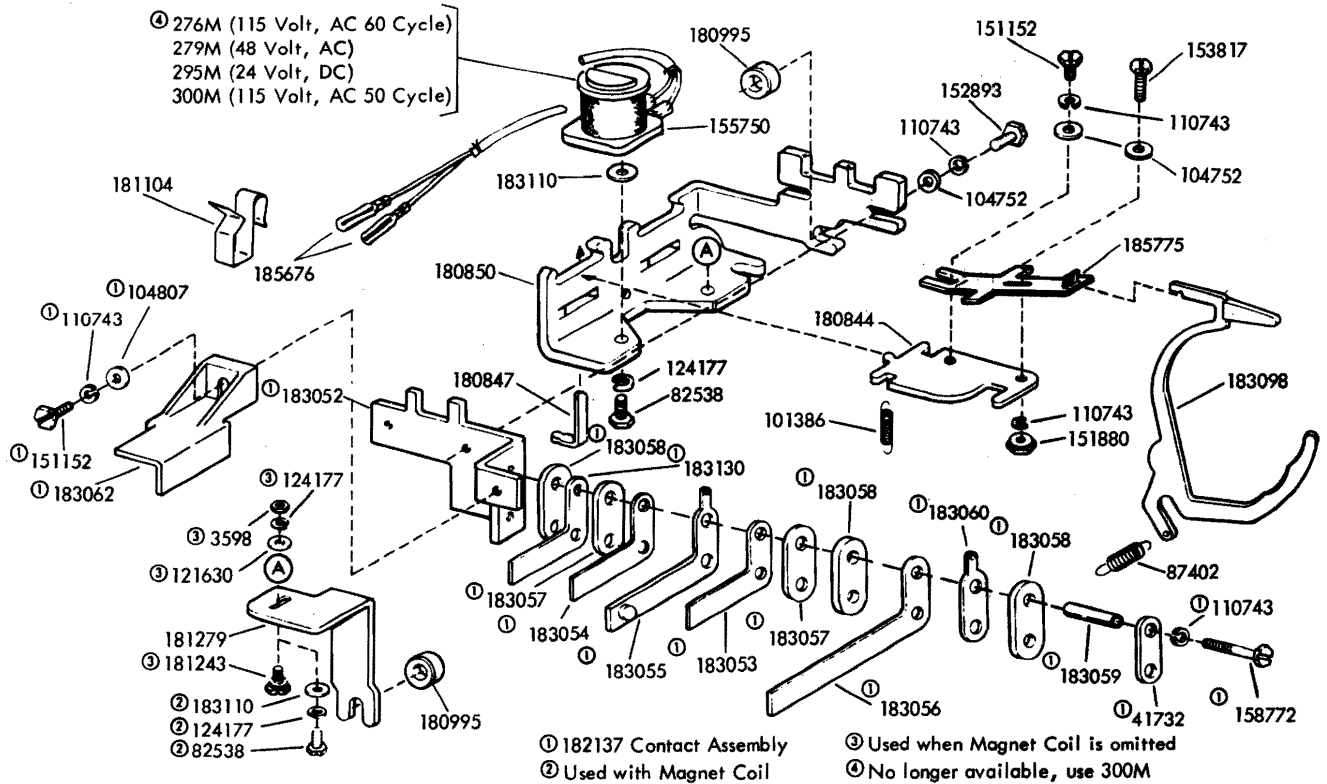


FIGURE 21. CLUTCH TRIP MECHANISM

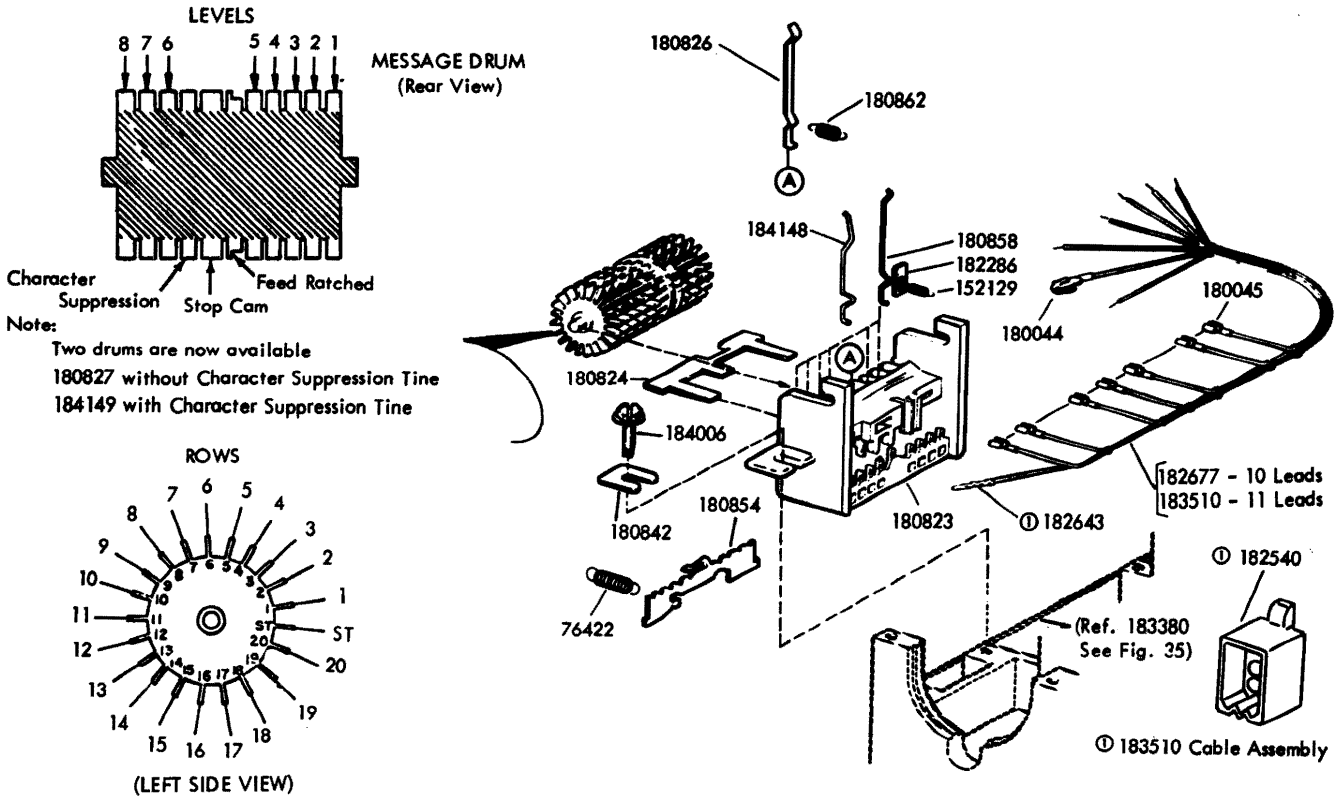


FIGURE 22. ANSWER-BACK DRUM MECHANISM

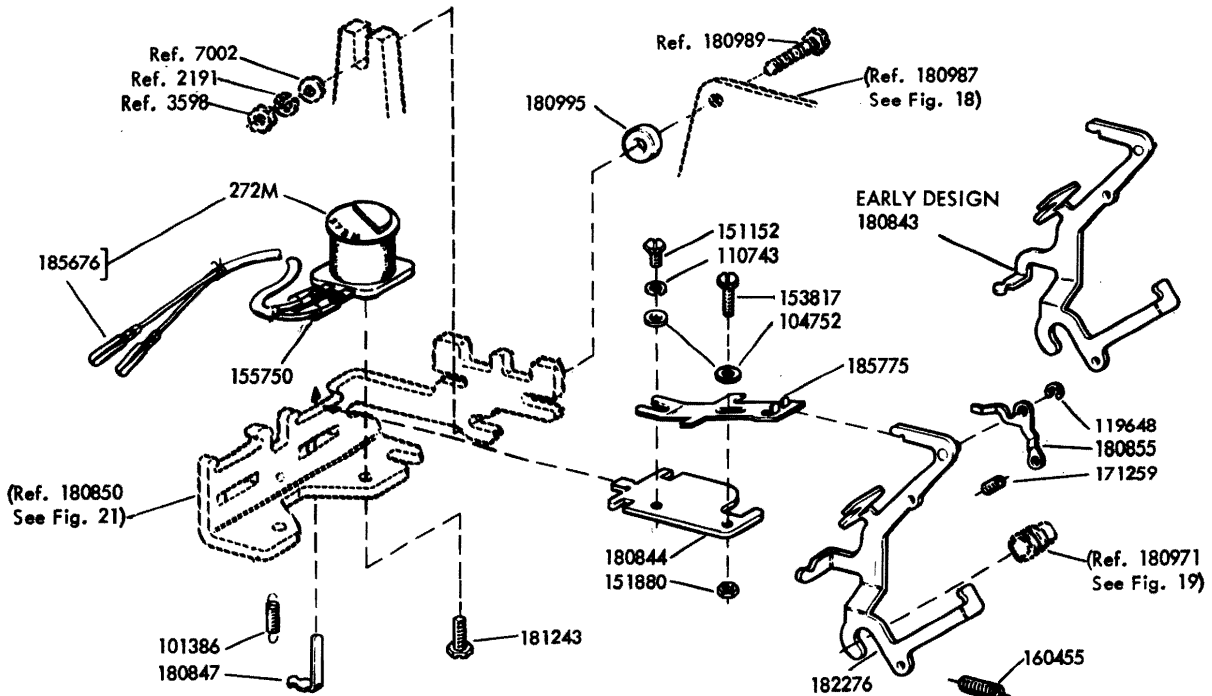
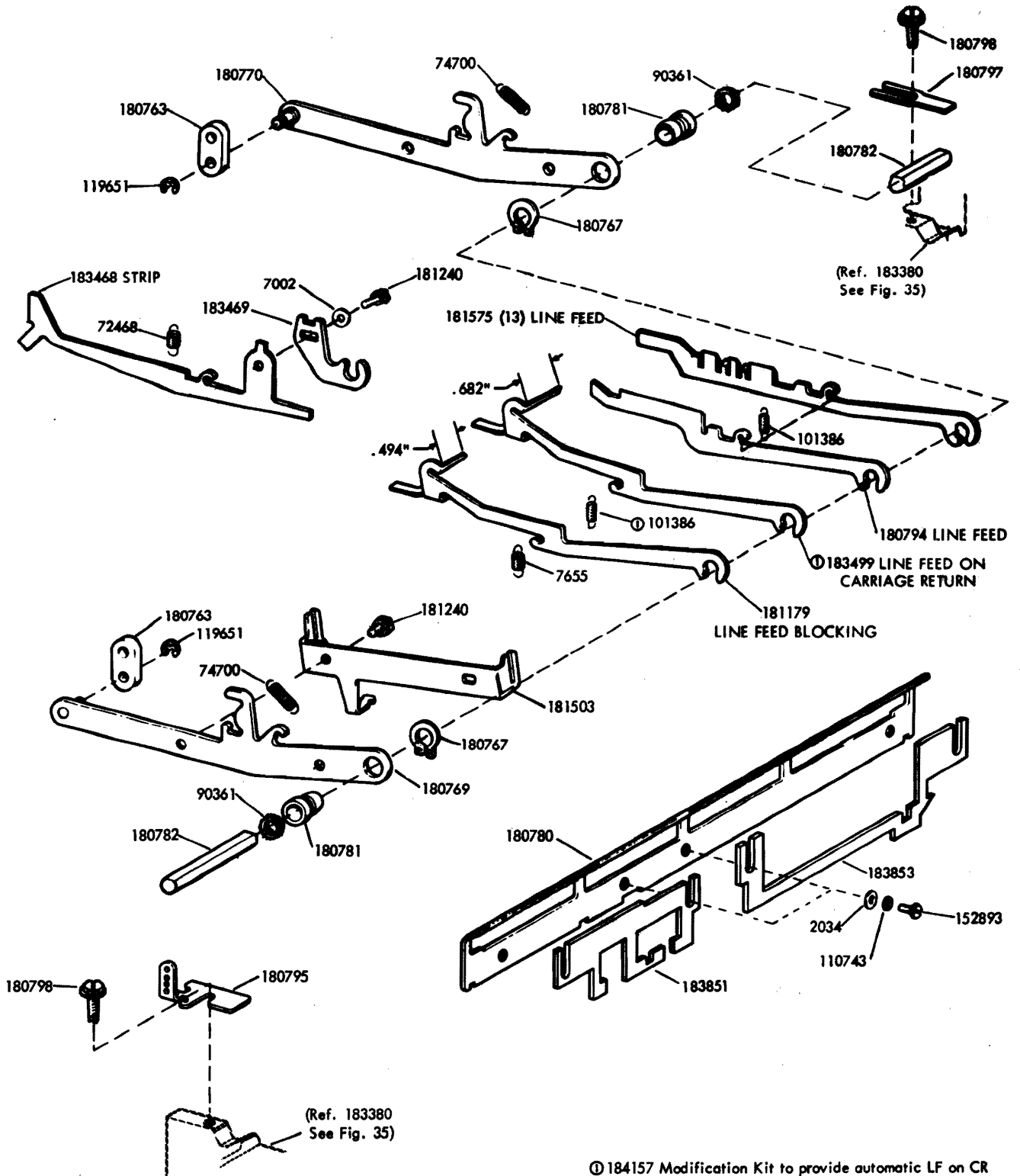


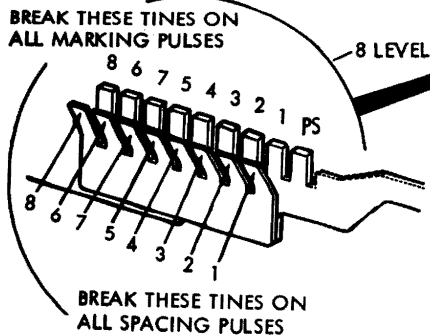
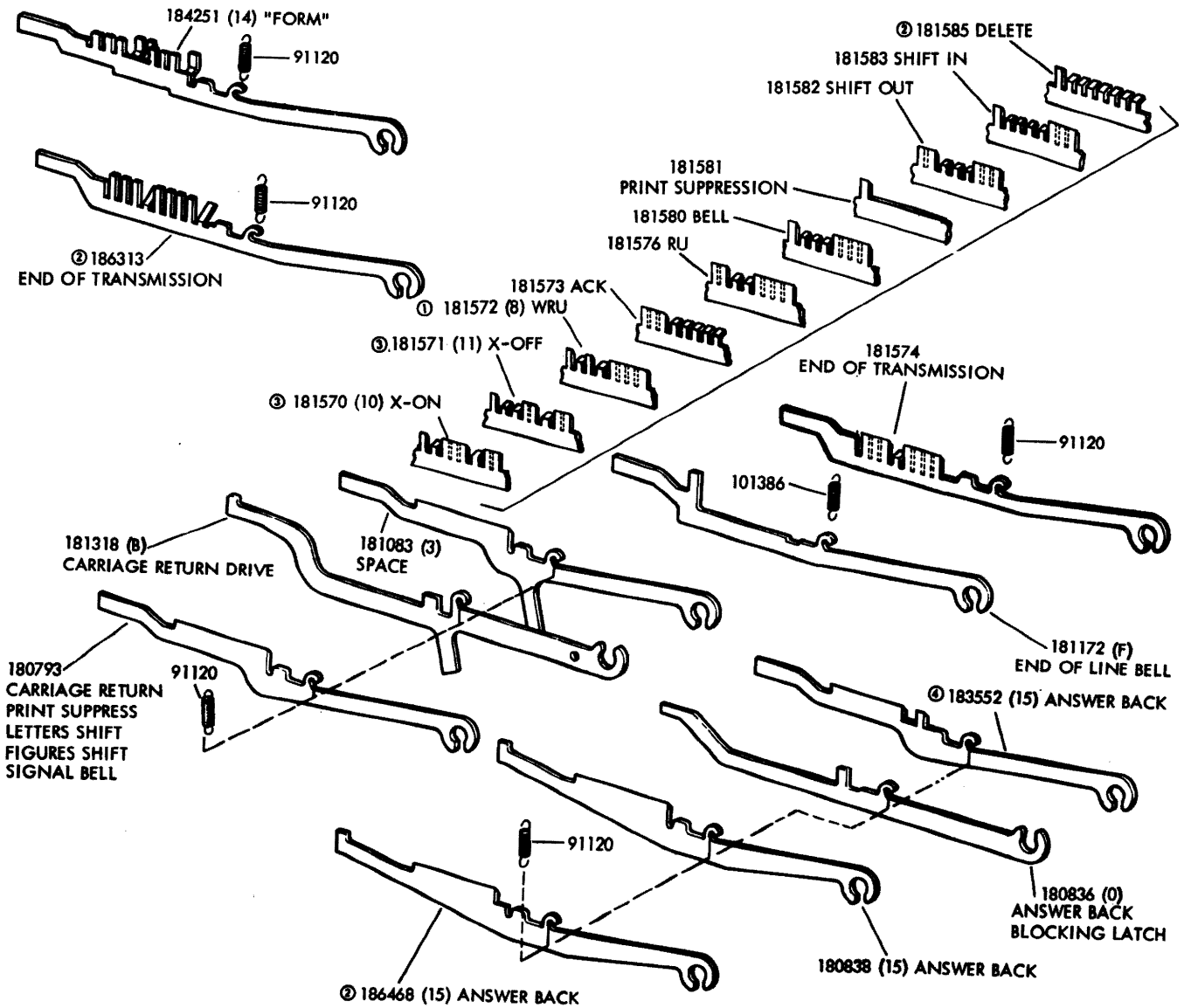
FIGURE 23. ANSWER-BACK TRIP MAGNET MECHANISM



Ⓢ 184157 Modification Kit to provide automatic LF on CR
Specification 504135

Number in parenthesis () indicates slot number

FIGURE 24. LINE FEED FUNCTION LEVER MECHANISM



Coding a 180801 Uncoded Universal Function Lever, To perform a special function or contact closure, is to be done before installation of part. For 8 level usage starting at pivoted end, the tines are numbered 8,6,7,5,4,3,2,1 and PS, tines 6 and 7 are not in numerical order. Choose the code combination the lever is to respond to. Note marking pulses. Break off the straight tines whose number corresponds to the marking pulses. Break off the bent tines whose number corresponds to the spacing pulses.

PS-Refers to Print Suppression and is broken off when printing is desired.

On eight level codes, break both tines on position 8 unless respond to parity level (8th) is required.

- ① Part of 182290 and 182291 Modification Kits. See Figure 14.
- ② ASCII 1967 Code
- ③ Peculiar to units equipped with automatic reader control
- ④ Peculiar to units having two-color printing

NOTE: Number or letter in parenthesis () indicates slot number

FIGURE 25. FUNCTION LEVERS

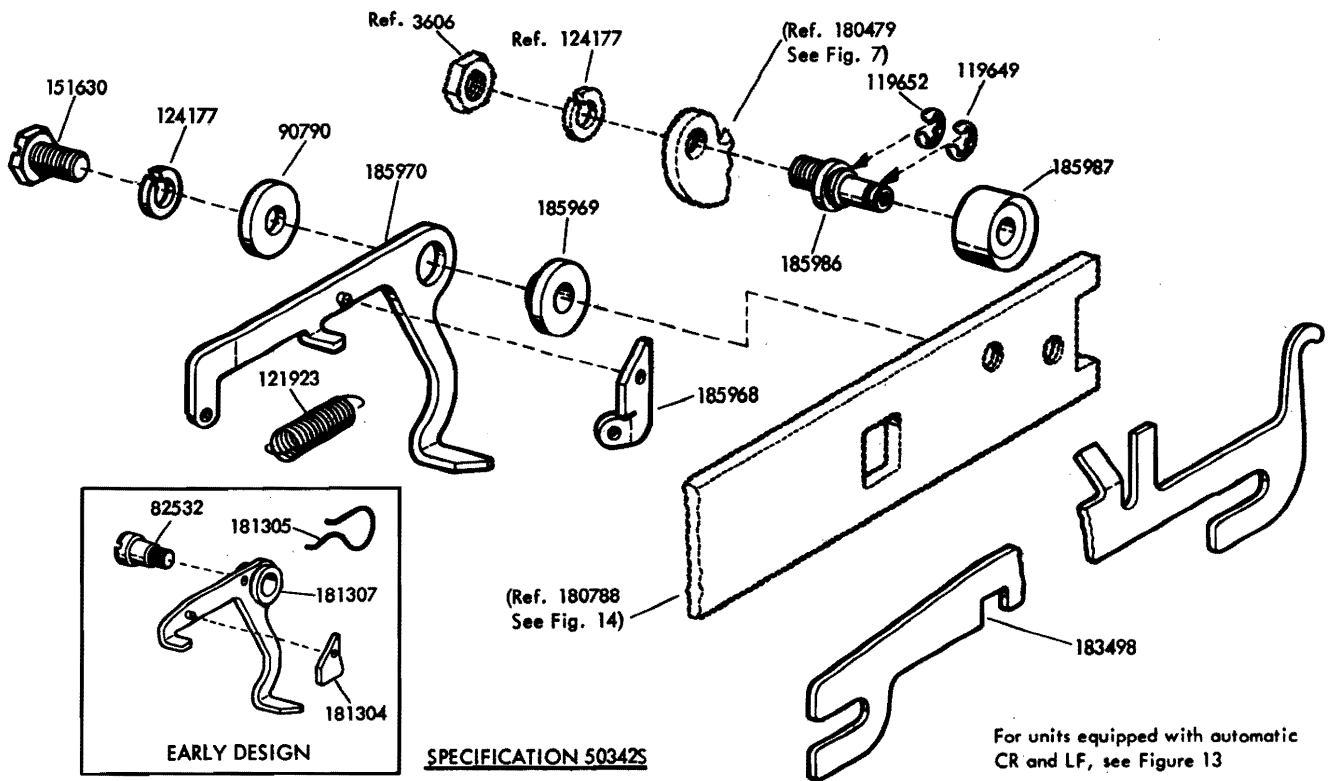


FIGURE 26. 185971 MODIFICATION KIT TO PROVIDE PRINTER WITH AN END-OF-LINE BELL TO RING ON APPROXIMATELY THE 62ND CHARACTER

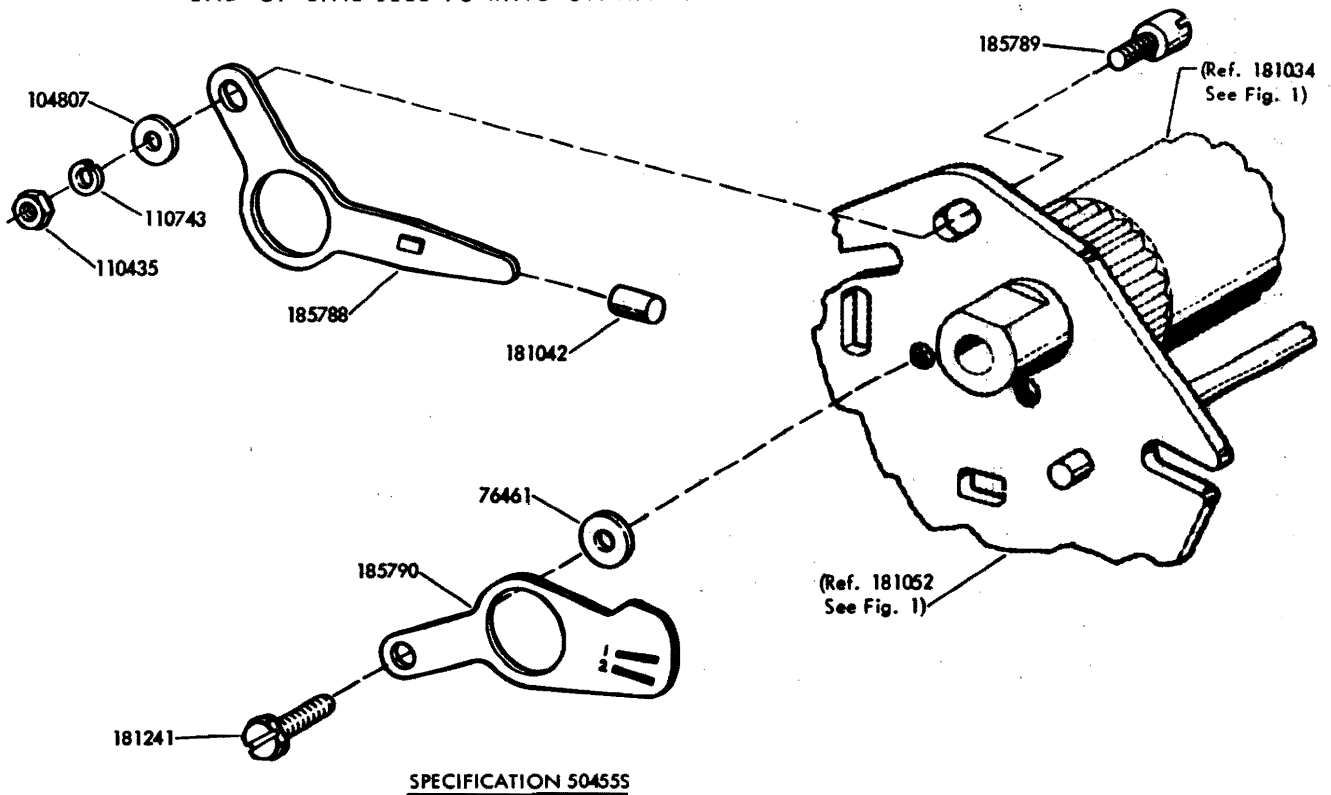
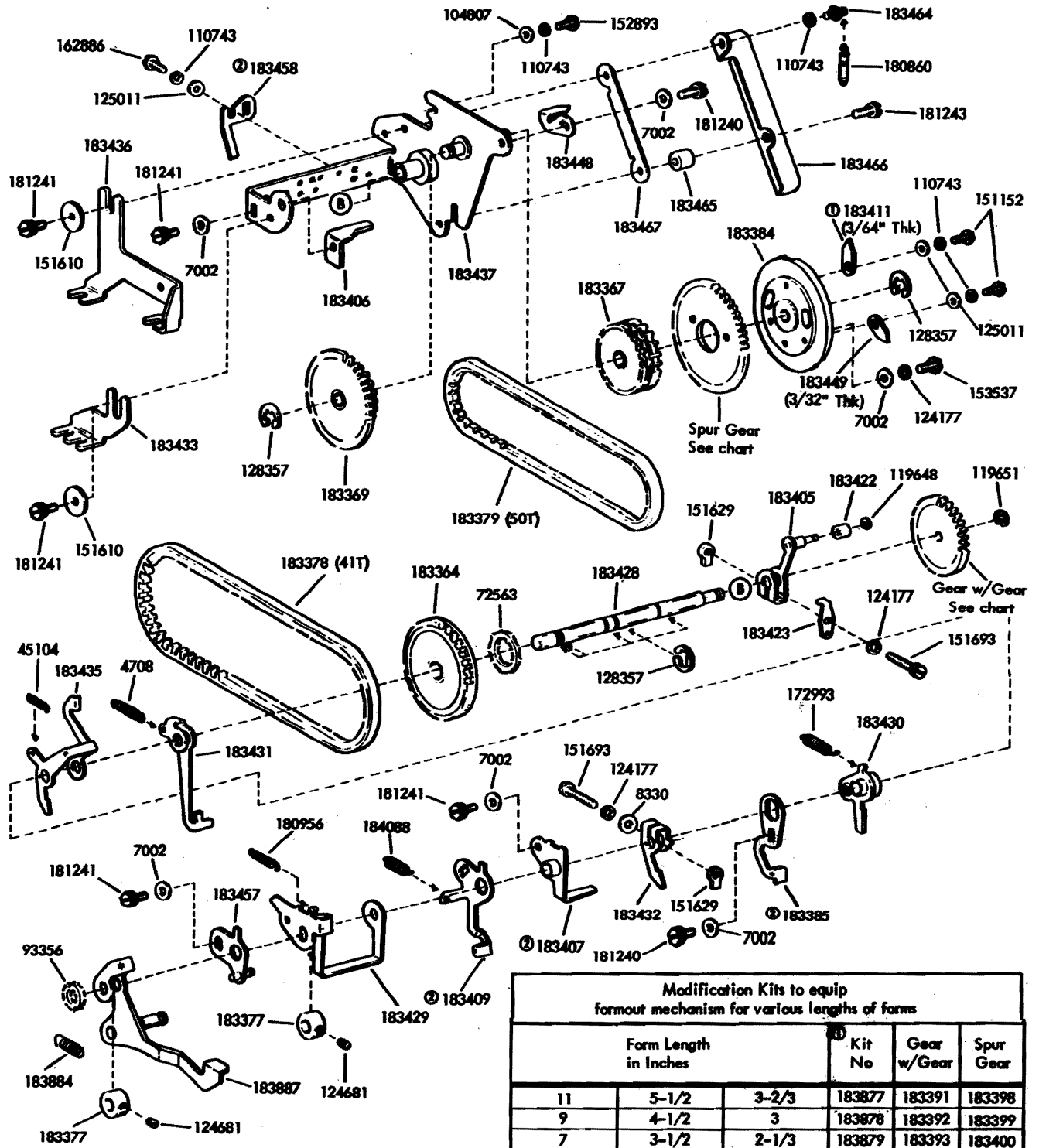


FIGURE 27. 185791 MODIFICATION KIT TO PROVIDE CONTROLLED SINGLE OR DOUBLE LINE FEED FEATURE ON FRICTION FEED PRINTER

FIGURE 28. TYPEWHEEL CHART

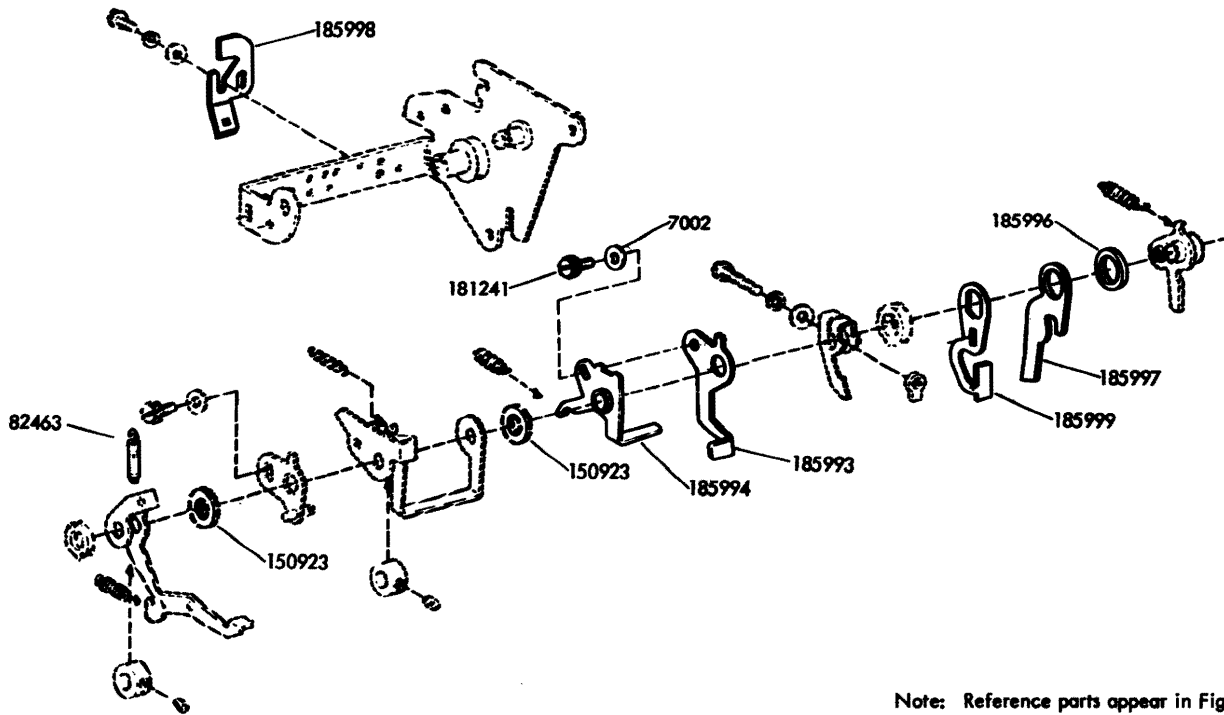
TYPEWHEEL	PART NO.	POSITION	CHARACTER																											
			A	B	C	D	E	F	G	H	I	J	K	L	M	N	O	P	Q	R	S	T	U	V	W	X	Y	Z		
MA	180598	UNSHIFT																												
		SHIFT																												
MB	182280	UNSHIFT	1	2	4			7	8																					
		SHIFT																												
MC	182293	UNSHIFT	1	2	3	4	5	6	7	8	9	@	,	MC	&	.	-		A	B	C	D	E	F	G	H	I	:	#	
		SHIFT																												
MD	183588	UNSHIFT																												
		SHIFT																												
ME	183599	UNSHIFT																												
		SHIFT																												
MF	183922	UNSHIFT																												
		SHIFT																												
MG	184685	UNSHIFT																												
		SHIFT																												
MH	184686	UNSHIFT	1	2	3	4	5	6	7	8	9	'	=	:	-	>	&	+	A	B	C	D	E	F	G	H	I	:	/	
		SHIFT																												
MJ	184688	UNSHIFT																												
		SHIFT																												
MK	184689	UNSHIFT																												
		SHIFT																												
ML	184690	UNSHIFT																												
		SHIFT																												
MN	184691	UNSHIFT																												
		SHIFT																												
MP	184693	UNSHIFT																												
		SHIFT																												
MR	184695	UNSHIFT																												
		SHIFT																												
MS	184950	UNSHIFT																												
		SHIFT																												
MT	184694	UNSHIFT	1	2	3	4	5	6	7	8	9	@	,	+	&	.	-		A	B	C	D	E	F	G	H	I	:	#	
		SHIFT																												
MU	184692	UNSHIFT	1	2	3	4	5	6	7	8	9	@	,	MU	&	.	-		A	B	C	D	E	F	G	H	I	:	#	
		SHIFT																												
MV	184696	UNSHIFT	1	2	3	4	5	6	7	8	9	'	=	:	-	>	&	+	A	B	C	D	E	F	G	H	I	:	/	
		SHIFT																												
MW	184697	UNSHIFT	1	2	3	4	5	6	7	8	9	'	=	:	-	>	&	+	A	B	C	D	E	F	G	H	I	:	/	
		SHIFT																												
MY	184698	UNSHIFT	1	2	3	4	5	6	7	8	9	'	=	:	-	>	&	+	A	B	C	D	E	F	G	H	I	:	/	
		SHIFT																												
MZ	184951	UNSHIFT	J	K	3	M	5	6	P	Q	9	@	=	MZ	()	-	*	A	B	T	D	V	W	G	H	Z	<	#	
		SHIFT																												
NA	184952	UNSHIFT																												
		SHIFT																												
NB	184953	UNSHIFT																												
		SHIFT																												



- ① The required number of 183411 Cam Plates and mounting hardware are furnished with each kit (Specification 504105)
- ② Early design parts. See Figure 32 for later design.

Modification Kits to equip formout mechanism for various lengths of forms					
Form Length in Inches			① Kit No	Gear w/Gear	Spur Gear
	11	5-1/2	3-2/3	183877	183391
9	4-1/2	3	183878	183392	183399
7	3-1/2	2-1/3	183879	183393	183400
8	4	2-2/3	183880	183394	183401
8 1/2	—	2-5/6	183881	183395	183402
10	5	3-1/3	183882	183396	183403
6	—	—	183883	183397	183404

FIGURE 31. FORMOUT MECHANISM - SPROCKET FEED



Note: Reference parts appear in Figure 31

FIGURE 32. LATER DESIGN FORMOUT MECHANISM - SPROCKET FEED

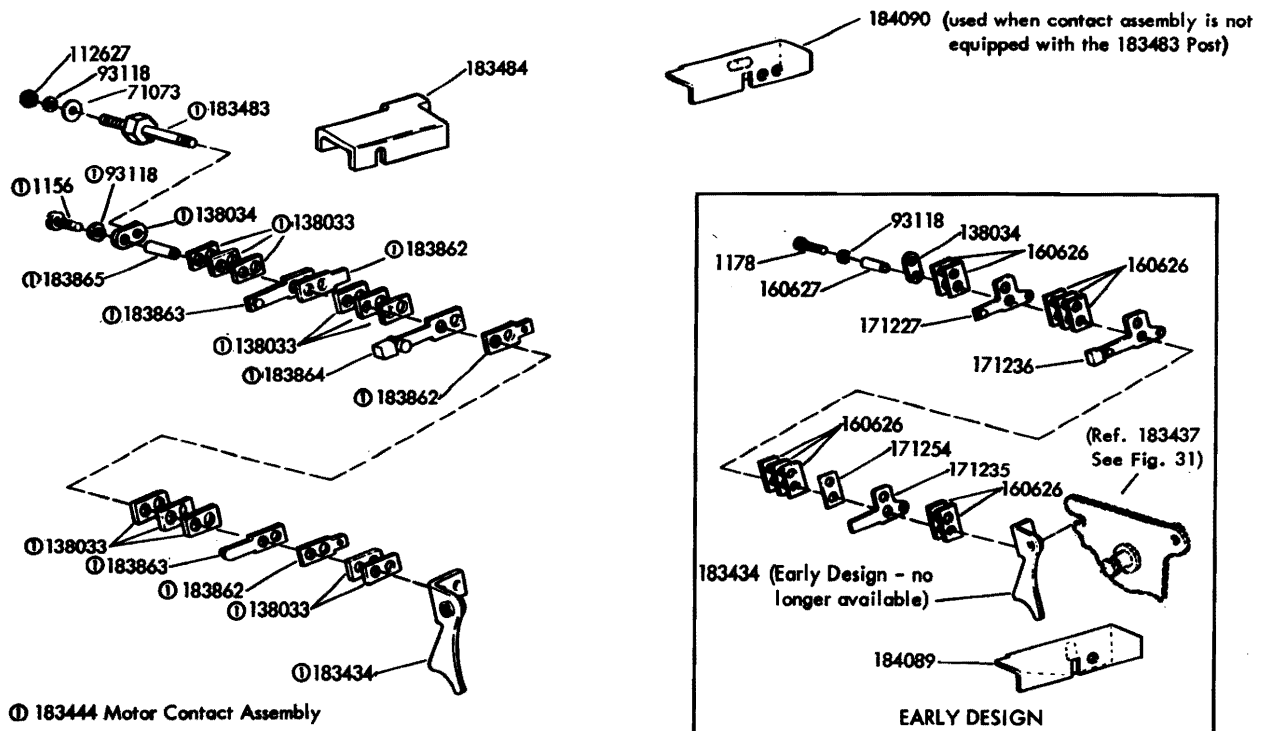


FIGURE 33. MOTOR CONTACT - SPROCKET FEED

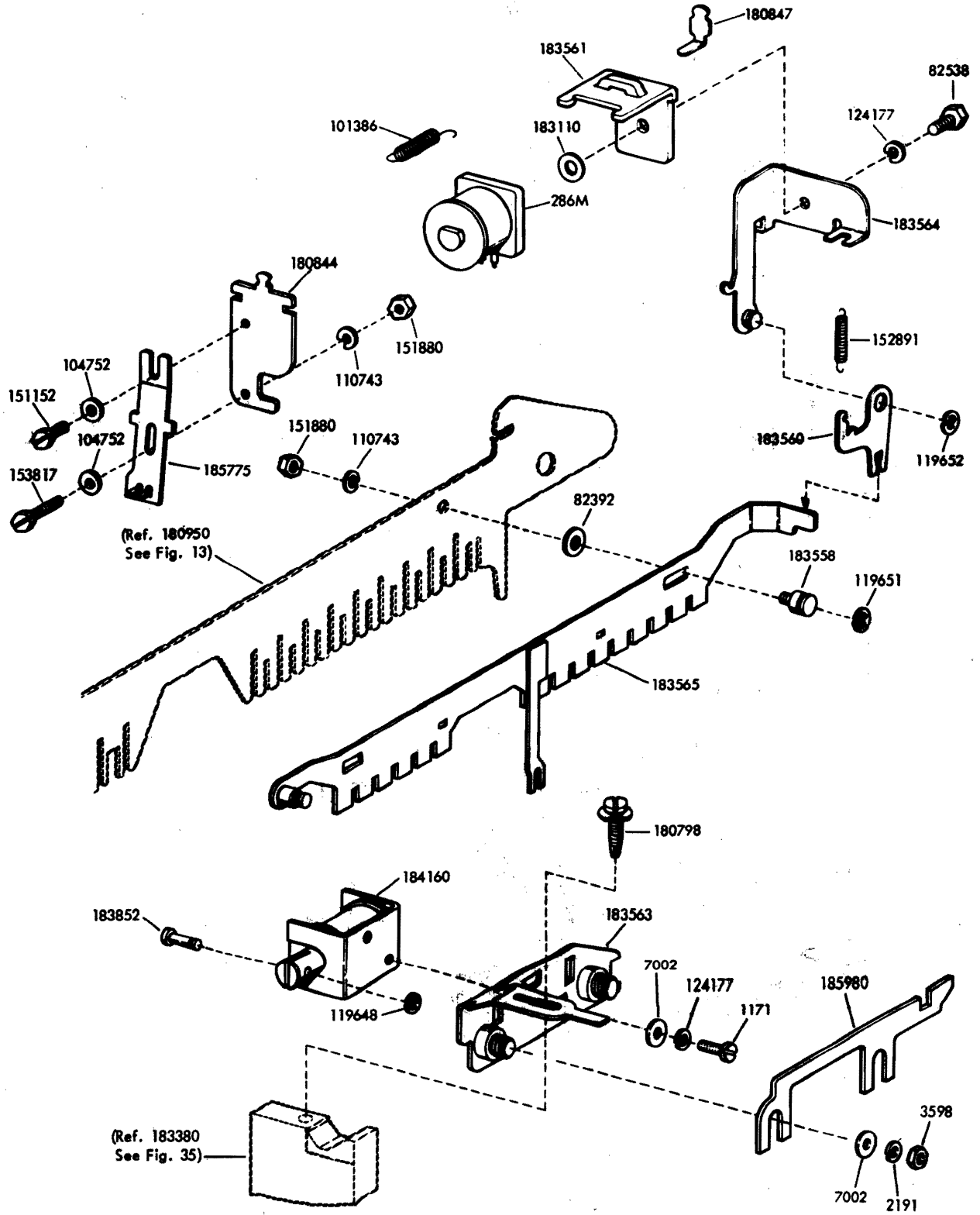


FIGURE 34. SOLENOID PRINT-NONPRINT RESET MECHANISM

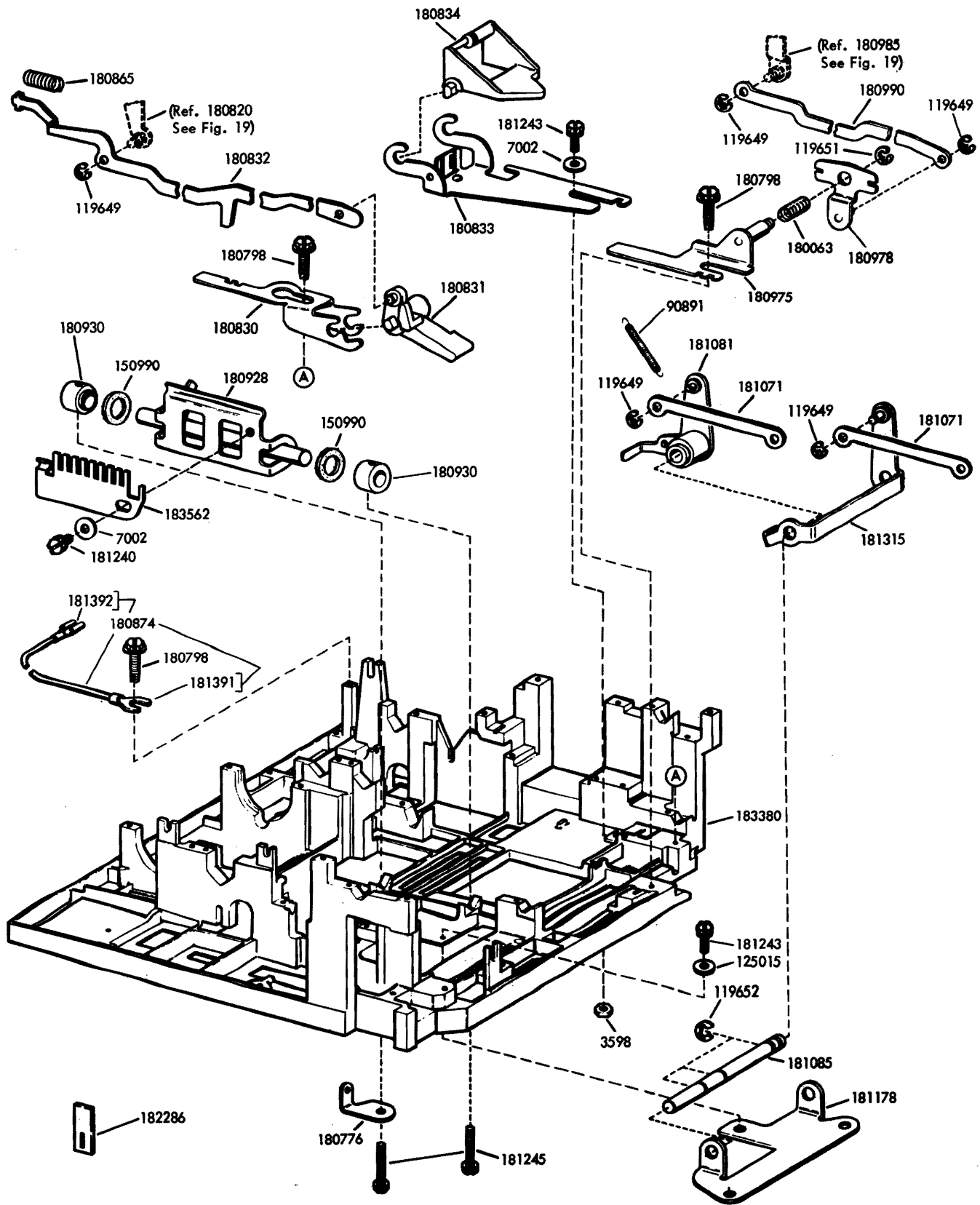
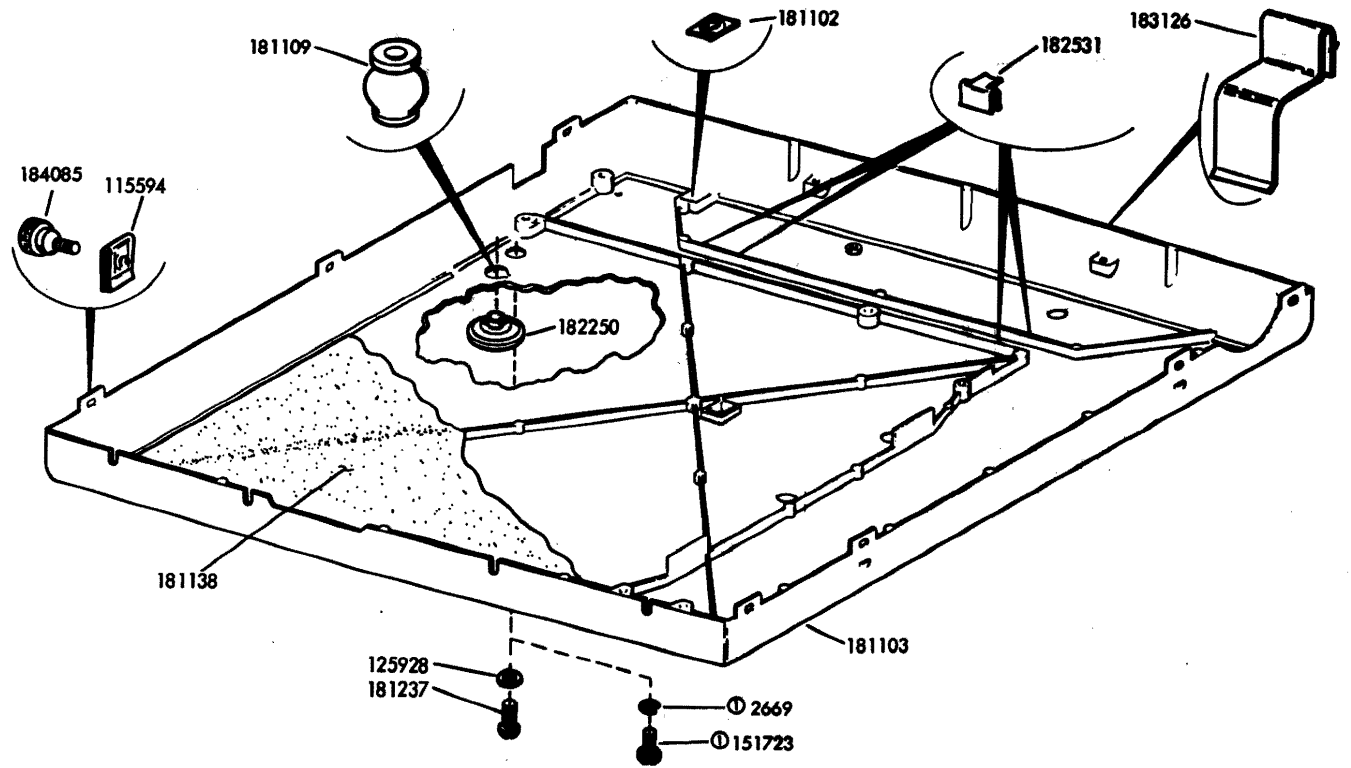


FIGURE 35. BASE



⓪ Used on early base having two pem nuts pressed in place

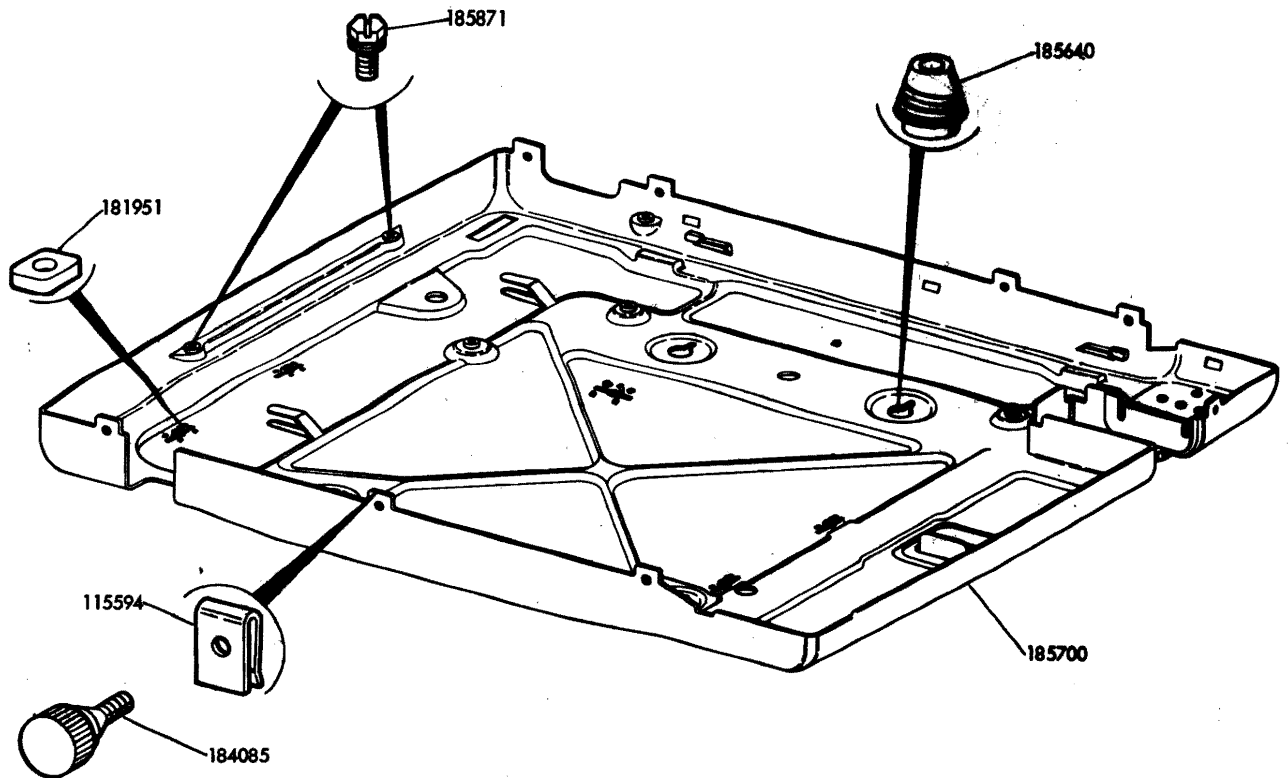


FIGURE 36. SUB BASES

SECTION 574-122-800TC

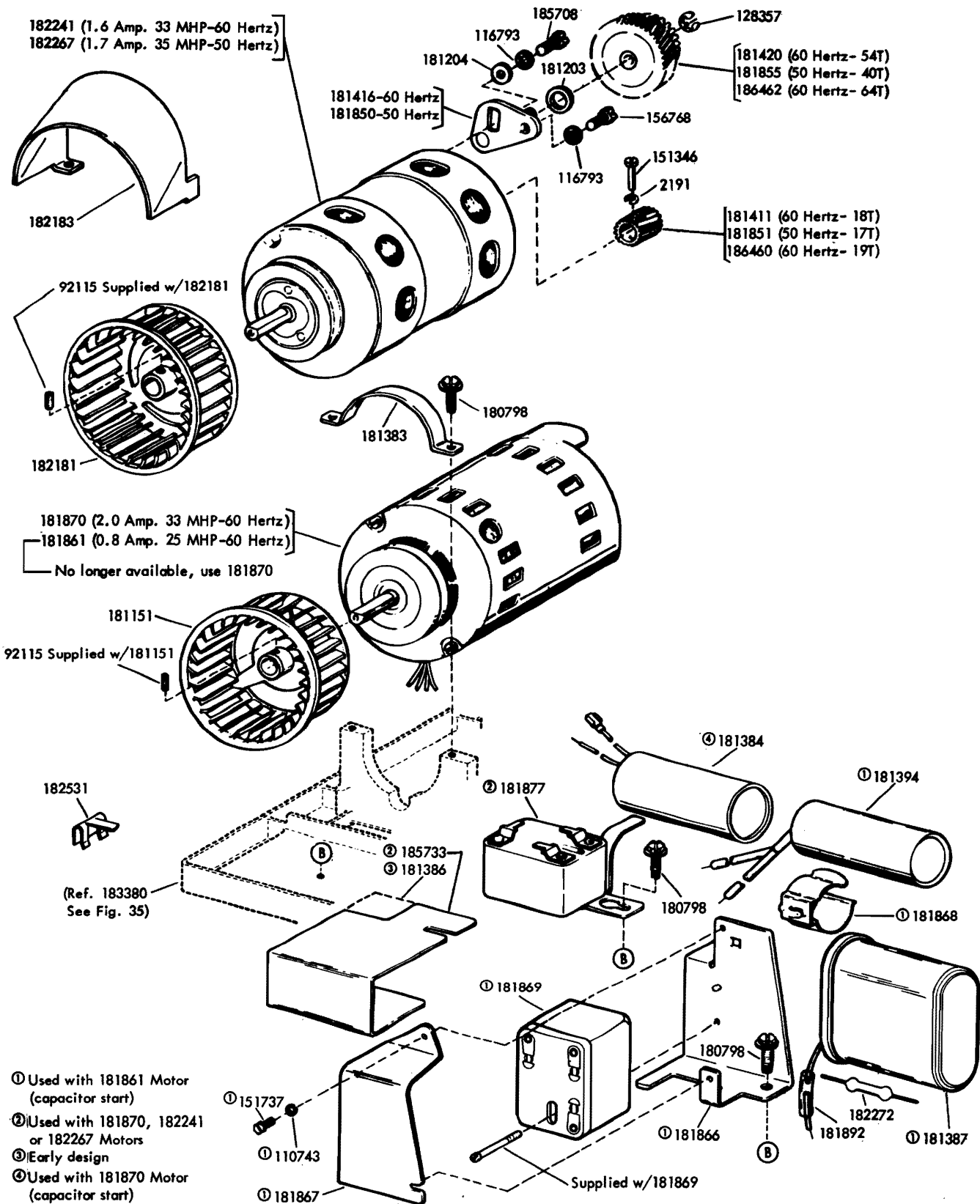


FIGURE 37. MOTORS AND ELECTRICAL COMPONENTS

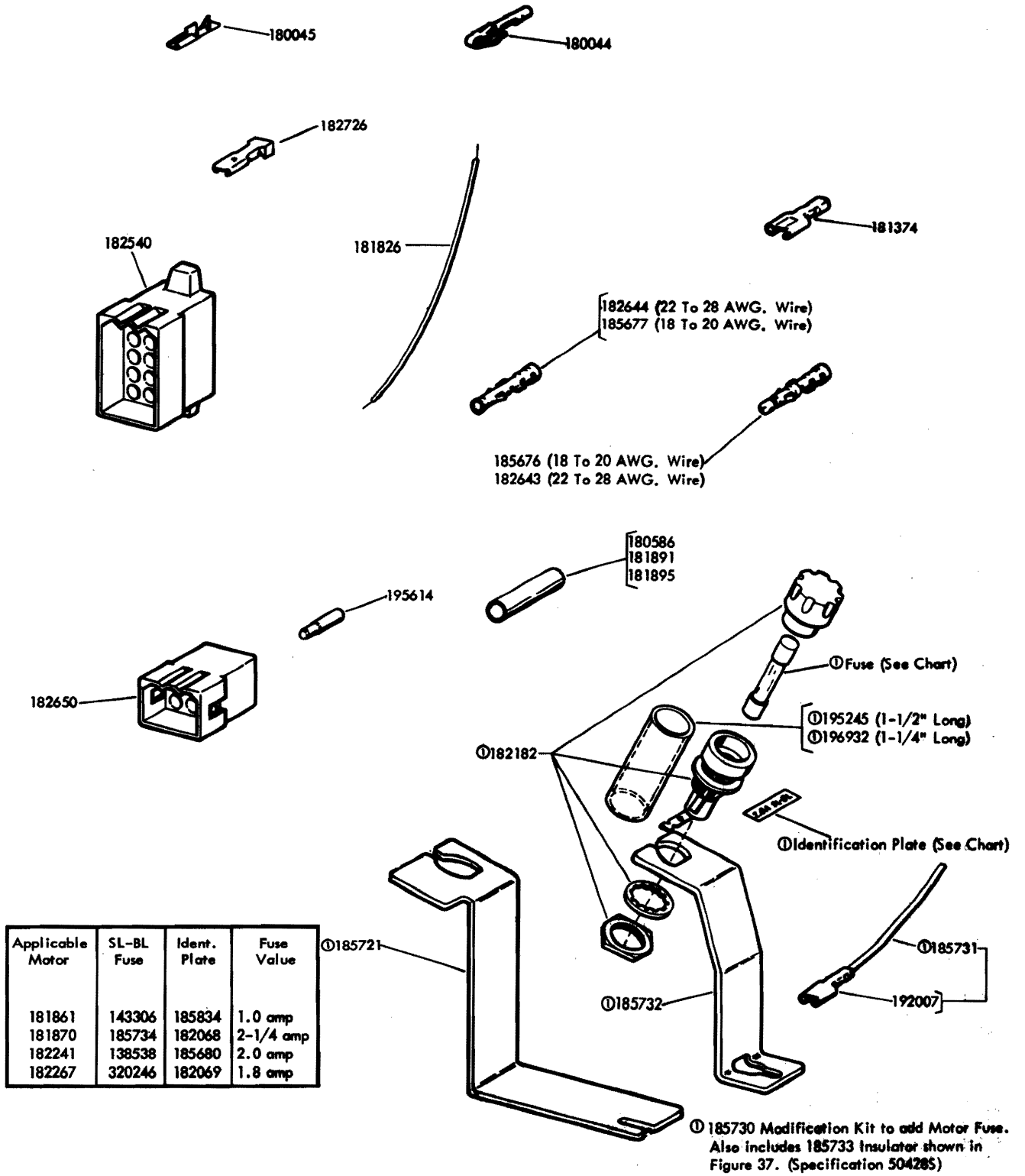


FIGURE 38. CABLE COMPONENTS

NUMERICAL INDEX

Part Number	Description and Page Number	Part Number	Description and Page Number	Part Number	Description and Page Number
272M	Coil, Magnet 22	87402	Spring 21	150241	Spring 11, 12, 18, 19
276M	Coil, Magnet 21	90361	Washer, Felt 23	150830	Bushing, Shoulder 12
279M	Coil, Magnet 21	90432	Washer, Flat 10	150841	Bearing 12
286M	Coil, Magnet 31	90615	Spring 3	150923	Washer, Felt 30
295M	Coil, Magnet 21	90790	Washer, Flat 10, 15, 25	150930	Washer, Felt 11, 12, 16
300M	Coil, Magnet 21	90891	Spring 32	150990	Washer, Felt 32
1156	Screw, 2-56 x 9/16 Fil 30	91120	Spring 3, 18, 24	151152	Screw, 4-40 x 3/16 Hex 7, 9, 10, 21, 22, 29, 31
1171	Screw, 6-32 x 3/16 Fil 31	92115	Screw, 8-32 Set 34	151346	Screw, 6-40 x 3/8 Fil 34
1178	Screw, 2-56 x 7/16 Fil 30	93117	Washer, Lock 3	151397	Spring 17
1210	Screw, 2-56 x 5/8 Fil 5	93118	Washer, Lock 5, 30	151413	Washer, Flat 10
2034	Washer, Flat 6, 10, 20, 23	93356	Washer, Felt 29	151603	Spacer 17
2167	Ball, Bearing 9	93984	Washer, Lock 19	151610	Washer, Flat 29
2191	Washer, Lock 2, 7, 11, 12, 17, 19, 22, 31, 34	98718	Washer, Flat 19	151629	Nut, 6-40 Lug 6, 13, 29
2605	Spring 20	100759	Screw, 4-40 x 3/16 Flat 11	151630	Screw, 6-40 x 1/4 Hex 9, 25
2669	Washer, Lock 6, 33	101386	Spring 4, 17, 21, 22, 23, 24, 31	151631	Screw, 6-40 x 5/16 Hex 3
3598	Nut, 6-40 Hex 2, 4, 6, 7, 8, 9, 10, 14, 16, 17, 18, 19, 20, 21, 22, 31, 32	104752	Washer, Flat 21, 22, 31	151640	Lever, Shoe Release 19
3599	Nut, 6-40 Hex 4, 6, 7, 9, 15, 20	104807	Washer, Flat 7, 21, 25, 29	151658	Screw, 6-40 x 5/16 Fil 11, 12
3606	Nut, 6-40 Hex 2, 8, 25	107116	Washer, Lock 6	151693	Screw, 6-40 x 9/16 Fil 7, 29
3608	Spring 6	110435	Nut, 4-40 Hex 25	151722	Screw, 6-40 x 3/16 Hex 3, 4
3646	Washer, Lock 2, 5	110743	Washer, Lock 4, 6, 7, 9, 15, 20, 21, 22, 23, 25, 29, 31, 34	151723	Screw, 10-32 x 3/8 Hex 33
3864	Spring 21	111410	Washer, Flat 9, 19	151728	Spring 11, 12, 19
4703	Spring 10	111640	Screw, 2-56 x 7/32 Fil 3	151731	Screw, 4-40 x 7/8 Fil 15
4708	Spring 29	112626	Nut, 10-32 Hex 6	151737	Screw, 4-40 x 11/64 Hex 6, 34
7001	Washer, Flat 19	112627	Nut, 2-56 Hex 30	151880	Nut, 4-40 Hex 9, 21, 22, 31
7002	Washer, Flat 2 thru 10, 12, 13, 15, 17, 18, 19, 20, 22, 23, 29, 30, 31, 32	112630	Spring 3	152129	Spring 22
7655	Spring 23	112634	Spring 6	152425	Post, Spring 17
8330	Washer, Flat 13, 29	114107	Spring 10	152426	Nut, 6-40 Self-Locking 17
22746	Spring 14	115594	Nut, Speed 33	152441	Washer, Flat 4
31636	Spring 5, 20	116793	Washer, Lock 34	152888	Screw, 4-40 x 7/16 Hex 19
33765	Washer, Flat 3	119648	Ring, Retaining 8, 10, 19, 22, 29, 31	152890	Washer, Flat 21
41732	Plate, Clamp 21	119649	Ring, Retaining 3, 4, 7, 8, 9, 10, 13, 15, 16, 17, 20, 25, 32	152891	Spring 31
42661	Spring 10	119651	Ring, Retaining 2, 3, 4, 6, 7, 8, 10, 11, 12, 23, 29, 31, 32	152893	Screw, 4-40 x 1/4 Hex 6, 7, 15, 21, 23, 29
44048	Washer, Flat 2, 5, 20	119652	Ring, Retaining 4, 8, 10, 19, 25, 31, 32	153267	Washer, Felt 6
45027	Spring 8	119653	Ring, Retaining 6, 20	153537	Screw, 6-40 x 9/32 Hex 29
45104	Spring 29	119654	Ring, Retaining 6, 20	153799	Screw, 4-40 x 21/64 Hex 6, 15
49054	Screw, 2-56 x 3/16 Flat 6	121018	Nut, 4-40 Hex 9	153817	Screw, 4-40 x 3/8 Hex 4, 6, 21, 22, 31
49420	Spring 15	121100	Spring 17	155750	Sleeve, 3/32 ID x 1/2" Lg, Insulating 21, 22
70388	Spring 10	121630	Washer, Flat 21	156169	Washer, Felt 21
70466	Spring 10	121923	Spring 25	156509	Washer, Flat 10
71073	Washer, Flat 30	124177	Washer, Lock 2, 3, 4, 7, 8, 9, 10, 14, 15, 16, 17, 18, 20, 21, 25, 29, 31	156536	Screw, 4-40 x 1/8 Fil 9
71681	Spool, Ribbon 6	124612	Screw, 8-32 x 1/2 Hex 2	156558	Washer, Felt 10
72468	Spring 23	124681	Screw, 6-40 Set 4, 6, 12, 13, 16, 29	156572	Washer, Felt 9
72509	Washer, Lock 18	125011	Washer, Flat 15, 29	156740	Screw, 6-40 x 7/32 Hex 18, 20
72563	Washer, Felt 29	125015	Washer, Flat 14, 16, 17, 18, 32	156768	Screw, 8-32 x 9/32 Hex 34
74547	Collar 13	125181	Screw, 2-56 x 3/8 Fil 16	157899	Arm, NC Contact 15
74700	Spring 23	125206	Screw, 6-32 x 5/8 Fil 11	158186	Screw, 4-40 x 7/32 Fil 4
74701	Spring 10, 12	125252	Spring 15	158189	Washer, Felt 10
74722	Washer, Flat 4	125802	Washer, Flat 15	158772	Screw, 4-40 x 5/8 Hex 21
76099	Washer, Flat 17	125928	Washer, Flat 33	160455	Spring 22
76422	Spring 13, 22	128357	Ring, Retaining 21, 29, 34	160626	Insulator .031" Thk 30
76461	Washer, Flat 21, 25	138033	Insulator, .031" Thk 5, 30	160627	Bushing, Insulating 30
78103	Screw, 6-40 x 1-3/16 Hex 21	138034	Plate, Clamp 5, 30	161346	Washer, Felt 10
80945	Spring 13	138538	Fuse, SL-BL 2 Amp 35	161347	Washer, Felt 16
81731	Spring 8, 20	143306	Fuse, SL-BL 1 Amp 35	162573	Retainer 12
82392	Shim, .004" Thk 31	150026	Lever, Shoe Release 11, 12	162886	Screw, 4-40 x 7/32 Hex 29
82463	Spring 30	150029	Wick, Felt 11, 12, 18, 19	171227	Spring, Contact 30
82532	Screw, 6-40 Shoulder 25	150040	Screw, 6-40 x 5/8 Fil 13, 18	171235	Spring, Contact 30
82538	Screw, 6-40 x 5/16 Hex 21, 31	150043	Shoe, Secondary Clutch 11, 12, 18, 19	171236	Spring, Contact 30
83877	Spring 17	150044	Shoe, Primary Clutch 11, 12, 18, 19	171254	Insulator, .015" Thk 30
84226	Spring 3, 20			171259	Spring 22
84575	Spring 3, 8, 10, 14			172591	Spring, Contact Arm 15
86283	Spring 15			172993	Spring 29
87398	Washer, Flat 4			180044	Terminal, Tab Type 22, 35
				180045	Terminal, Tab Type 22, 35

NUMERICAL INDEX (Continued)

Part Number	Description and Page Number	Part Number	Description and Page Number	Part Number	Description and Page Number
180063	Spring, Compression 32	180554	Bushing 7	180728	Spring 17
180463	Post, Bail, Pivot 10	180555	Spring 7	180740	Bail 15
180464	Pulley, Carriage Return Spring 10	180556	Plate, Gauge 9	180741	Shaft, Function 16,21
180466	Ring, Retaining 9	180557	Lever w/Stud 8	180742	Roller 16
180467	Bearing, Ball 9	180558	Collar 8	180743	Bearing, Right 16
180468	Bearing, Ball 9	180559	Shaft 8	180744	Collar 6,16
180469	Link 8,9	180562	Link, Left Ribbon 7	180745	Arm w/Stud 16
180470	Roller 8	180563	Stud, Eccentric 7	180746	Arm w/Bushing 11,12,16
180471	Block 9	180564	Bracket, Lock 7	180748	Arm w/Stud 16
180473	Shaft 9	180566	Hub w/Pinion 9	180749	Arm w/Stud 16
180474	Stud 9	180568	Bracket, Guide 7	180750	Arm w/Studs 16
180475	Bushing 9	180569	Spring, Compression 7	180751	Arm w/Studs 16
180476	Screw, 6-40 Spl 8	180571	Plate 9	180752	Lever, Function 16
180477	Bracket 8	180574	Stud, Eccentric 9	180754	Hub 16
180478	Guide, Nylon 8	180575	Bearing, Ball 9,16	180755	Hub 16
180479	Bracket 8,25	180576	Bearing, Ball 9	180761	Ring, Retaining 16
180480	Arm w/Stud 9	180578	Bracket w/Post 10	180763	Link 23
180482	Arm w/Shaft 7	180579	Bracket w/Hub 9	180767	Ring, Retaining 13,15,23
180483	Arm, Stop 8	180580	Lever w/Stud 8,9	180768	Ring, Retaining 11,12
180484	Arm, Stop 8	180581	Roller, Typewheel 7	180769	Link, Left 23
180485	Arm w/Spring 9	180584	Lever 9	180770	Link, Right 23
180486	Link 8	180585	Spring 8	180771	Arm 15
180487	Stud 9	180586	Sleeve, 5/32 ID x 21/32 Lg	180772	Shaft 15
180488	Shaft 7		Insulating 8,35	180773	Plate 15
180489	Lever w/Pin 6	180591	Spring 7	180774	Arm, Eccentric Follower 11,12
180491	Shaft 9	180595	Screw, 4-40 Set 8	180776	Bracket 32
180492	Arm 8	180598	Typewheel, MA 26	180777	Arm, Drive 16
180493	Lever, Trip 8	180606	Bail 9	180778	Plate 15
180495	Link, Ribbon 7	180607	Arm, Adjusting 9	180779	Bracket 15
180496	Arm, Stop 8	180608	Bracket, Left 2,5	180780	Blade 23
180497	Spring, Print Hammer 7	180610	Shield 7	180781	Hub 15,23
180498	Bracket 6	180641	Cam sleeve 18	180782	Shaft, Pivot 23
180500	Frame 6,7,8,9	180642	Bar, Push 17	180783	Castings, Function Box 15
180501	Arm w/Stud 7,8	180645	Lever, Selector 17	180788	Plate, Rear Rail 15,25
180502	Head, Print Hammer 7	180646	Lever, Shoe Release 18	180789	Roller 15
180503	Shaft w/Spacer 7,9	180648	Arm, Follower 13	180791	Arm w/Stud 15
180505	Plate, Left Guide 7	180649	Spring 17	180792	Pawl, Function 15
180506	Plate, Right Guide 7	180654	Knob, Range 18	180793	Lever 24
180508	Stud, Eccentric 8	180655	Plate, Side 17	180794	Lever, Line Feed 23
180509	Slide, #3 Pulse 8	180657	Bracket, Guide 17	180795	Bracket, Spring 23
180510	Slide, Common 8	180658	Shaft, Guide 17	180796	Clamp 15
180511	Slide, #1 & #2 Pulse 8	180661	Bracket 18	180797	Clamp 16,23
180512	Slide w/Plates 8	180663	Scale, Range 17	180798	Screw, 8-32 Self-Tapping 2,5,6,10,11,12,13,14,15,16,19,20,23,31,32,34
180513	Slide, #5 Pulse 8	180667	Plate w/Bushing 18		
180514	Slide, #4 Pulse 8	180668	Follower, Cam 18	180801	Lever w/Bracket 24
180517	Lever, Latch 8	180669	Lever, Spacing Lock 17	180806	Cam sleeve 11
180518	Plate 7	180671	Lever, Start 17	180807	Cam sleeve 11,12
180519	Rack 7	180672	Bail 17	180808	Spacer, .050" Thk 11
180520	Arm 8	180673	Plate, Front 17,18	180809	Arm 16
180521	Slide, Print Suppression 8	180675	Screw, #6 Self-Tapping 17	180813	Pawl, Function 15
180522	Bushing 8	180676	Nut, #6 Speed 17,19	180820	Lever, Control 20,32
180526	Bail w/Stud 9	180677	Arm, Trip 18	180821	Lever w/Stud 20
180528	Lever w/Hub 9	180678	Plate, Spring 17	180823	Block, Contact 22
180534	Plate, Guide 7	180682	Upstop 10	180824	Contact, Common 22
180537	Link 8	180684	Lever, Latch 18	180826	Lever, Detent 22
180538	Shaft 8	180685	Nut, 6-40 Spl 18	180827	Drum, Answer Back 22
180539	Bail w/Stud 8	180688	Core, Magnet 17	180828	Pawl, Feed 20
180540	Bail, Print Hammer 7,8	180691	Plate 17	180829	Screw, 4-40 Shoulder 20
180541	Plate w/Posts 6,7	180692	Spring, Flat 17	180830	Bracket 32
180543	Base, Ribbon Unit 6	180704	Armature 17	180831	Lever 32
180544	Bail, Drive 10	180710	Plate w/Post 17	180832	Link, Tie 32
180545	Bracket 10	180715	Coil, Magnet 17	180833	Bracket, Adjusting 32
180546	Post 10	180717	Spring 17	180834	Bail, Trip 32
180547	Stud, Eccentric 6	180718	Spring 18	180835	Pawl, AB Blocking 15
180548	Plate 7	180719	Spring 17	180836	Lever, Blocking Function 24
180549	Bracket 7	180721	Wick, Felt 17	180837	Link, Blocking 20
180552	Post 7	180727	Washer, Flat 17		
180553	Spring 9				

NUMERICAL INDEX (Continued)

Part Number	Description and Page Number	Part Number	Description and Page Number	Part Number	Description and Page Number
180838	Lever, Function 24	181000	Drum, Clutch 11,12,18	181092	Bracket, Belt 6
180842	Spacer, .050" Thk 22	181001	Bearing 11,12	181093	Bracket, Extension 6
180843	Lever, Trip 20,22	181002	Bearing 11,12	181094	Bracket w/Post 10
180844	Armature 21,22,31	181003	Lever, Latch 13	181102	Fastener, Screw 33
180847	Bracket, Spring 21,22,31	181004	Hub 13	181103	Cover, Base 33
180850	Bracket, Magnet 21,22	181005	Link, Carriage 10,11	181104	Clip, Cable 21
180854	Brace 22	181006	Bushing 13	181109	Mount, Vibration 33
180855	Latch, Blocking 22	181007	Shaft, Main 11,18	181111	Pawl, Feed 6
180858	Contact, Wire 22	181008	Collar 11,12	181113	Spring, Compression 6
180860	Spring 16,20,29	181010	Lever w/Stud 13	181114	Lever 6
180861	Spring 20	181011	Lever w/Nut 13	181115	Stud 6
180862	Spring 22	181012	Spacer 13	181116	Arm, Reverse 6
180863	Spring 15,20	181013	Spacer, .453" Thk 13	181117	Pawl, Retaining 6
180864	Spring, Extension 20	181014	Grommet, Rubber 13	181118	Spring 6
180865	Coil, Adjusting 32	181015	Gear, 35T 11,12	181119	Spring 6
180874	Strap, 4-1/2" Braided 32	181017	Plate 13	181120	Spring, Compression 4,6
180920	Shaft 14	181018	Shaft 13	181121	Pin 6
180922	Spring 14	181019	Lever, Trip 13	181122	Disk 6
180923	Bracket w/Studs 14	181020	Lever 13	181123	Nut, 4-40 Spl 6
180925	Clamp 14	181021	Spacer, .406" Thk 13	181124	Post 6
180926	Ring, Retaining 14	181022	Bracket, Left 11,12,13	181125	Ratchet, Left Ribbon 6
180927	Ring, Retaining 13,14	181023	Bracket, Right 13	181126	Ratchet, Right Ribbon 6
180928	Bail 32	181028	Camsleeve 11	181129	Ribbon w/Spool 6
180930	Bearing 32	181030	Bracket w/Stud 2	181138	Pad 33
180932	Bar, #8-1 Code 14	181034	Platen 2,25	181151	Fan 34
180933	Bar, #8-2 Code 14	181037	Bracket, Right 2	181164	Shaft w/Link 3
180934	Bar, #8-3 Code 14	181038	Bracket, Left 2,5,9	181165	Pawl, Feed 3
180935	Bar, #8-4 Code 14	181039	Knob, Platen 2	181166	Bracket, Line Feed 3
180936	Bar, #8-5 Code 14	181040	Pawl, Detent 2,4	181168	Belcrank w/Studs 3
180937	Bar, #8-6 Code 14	181041	Retainer 2,4	181172	Lever, Function 24
180938	Bar, #7 Code 14	181042	Tip, Rubber 3,25	181173	Stud, Feed Pawl Stop 2
180939	Bar, #8 Code 14	181044	Roller, Pressure 3	181174	Guide 16
180947	Bar, Pring Suppression Code 14	181045	Post, Support 2,5,21	181175	Plate, Stripper 3
180948	Bar, Auto CR & EOL Bell Code 14	181048	Bracket, Stop 2	181176	Link, Adjusting 3
180949	Bracket, Rear Tie 14	181049	Arm, Right 3	181178	Bracket 32
180950	Bracket, Front Tie 14,31	181050	Arm, Left 3	181179	Lever, Blocking 23
180956	Spring 4,14,29	181051	Bracket, Left 3	181191	Spring, Compression 9
180957	Bracket, Spring 14	181052	Plate 2,25	181193	Cylinder 2,5
180958	Nut, 6-40 Lug 17	181053	Bail, Paper Straightener 3	181194	Washer, Flat 9
180959	Bracket 17	181054	Shaft, Pressure 3	181195	Washer, Cup 9
180964	Roller 19	181055	Bar 2,3	181196	Ring, Retaining 9
180967	Shaft, Distributor 19	181056	Plate, Pressure Roller Guide 3	181197	Plate, Adjusting 2,5
180968	Buffer 20	181057	Bracket, Right 3	181198	Bumper 9
180969	Bearing 19	181058	Plate, Paper Guide 3	181199	Piston 9
180970	Bearing 19	181062	Eccentric, Toggle Link 10	181203	Washer, Flat 34
180971	Shaft, Trip 20,22	181065	Pawl, Check 10	181204	Washer, Flat 34
180972	Clamp, Buffer 20	181066	Shaft, Spacing Drum 6	181230	Plate 10
180975	Bracket w/Stud 32	181067	Pawl, Feed 10	181231	Screw, 8-32 Self-Tapping 16, 21
180978	Lever w/Stud 32	181068	Lever w/Post 10	181237	Screw, 1/4-14 Self-Tapping 33
180979	Brush, Carbon 19	181069	Drum, Spacing 6	181240	Screw w/Lockwasher, 6-40 x 3/16 Hex 2,5,10,15,17,23, 29,32
180980	Holder, Brush 19	181070	Lever, Suppression 10	181241	Screw w/Lockwasher, 6-40 x 1/4 Hex 8,9,10,12,13,15,17, 20,25,29,30,34
180981	Arm, Stop 20	181071	Link 10,32	181242	Screw w/Lockwasher, 6-40 x 5/16 Hex 2,3,4,5,7,8,11, 12,16,17,19,20,21
180982	Bail, Trip 20	181072	Bracket w/Post 6	181243	Screw w/Lockwasher, 6-40 x 3/8 Hex 6,16,21,22,29,32
180983	Lever, Latch 20	181074	Pulley 6	181245	Screw w/Lockwasher, 6-40 x 1/2 Hex 2,21,32
180985	Lever, Follower 20,32	181075	Belt, 127T 6	181246	Screw w/Lockwasher, 6-40 x 5/8 Hex 12,13
180987	Disk 19,22	181076	Roller 10	181247	Screw w/Lockwasher, 6-40 x 11/16 Hex 11
180988	Bracket, Spring 20	181077	Ratchet, Spacing 6		
180989	Screw, #6 Spl 19,22	181078	Stud 10		
180990	Link, Keyboard 32	181079	Washer, Flat 6		
180991	Cam, Blocking 19	181081	Arm w/Hub and Post 32		
180992	Spring, Torsion 19	181082	Eccentric, Toggle Link 10		
180994	Spacer, .015" Thk 19	181083	Lever 24		
180995	Spacer, .114" Thk 19,21,22	181084	Bracket 6		
180997	Disk w/Plate 19	181085	Shaft 32		
180998	Clamp 16,19	181086	Lever w/Hub 10		
180999	Bearing, Left 16	181088	Post 10		
		181089	Arm w/Hub 10		
		181091	Link w/Post, Toggle 10		

NUMERICAL INDEX (Continued)

Part Number	Description and Page Number	Part Number	Description and Page Number	Part Number	Description and Page Number
181249	Screw w/Lockwasher, 6-40 x 1 Hex 21	181580	Lever 24	182312	Bar, #8-3 Code 14
181250	Screw, #2 Self-Tapping 15,33	181581	Lever 24	182313	Bar, #8-4 Code 14
181278	Clamp 15	181582	Lever 24	182314	Bar, #8-5 Code 14
181279	Bracket 21	181583	Lever 24	182315	Bar, #8-6 Code 14
181284	Spring 18	181585	Lever 24	182316	Bar, #7 Code 14
181286	Bushing 15	181586	Pawl, Blocking 15	182317	Bar, #8 Code 14
181304	Latch 25	181826	Jumper, 2" Black 35	182318	Bar, R Code 14
181305	Spring 25	181850	Plate w/Stud 34	182330	Bar, #8-A Code 14
181307	Lever w/Post 25	181851	Gear, 17T 34	182531	Clip, Speed 33,34
181312	Latch, Carriage Return 6	181855	Pulley w/40T Gear, 16T 34	182540	Connector, 15 Pt Plug Type 22, 35
181314	Link w/Post 10	181861	Motor, 115V AC Synchronous 34,35	182643	Terminal, Plug Type 22,35
181315	Bail w/Post 32	181866	Bracket 34	182644	Terminal, Receptacle Type 35
181316	Shaft 10	181867	Insulator 34	182650	Connector, 4 Pt Plug Type 35
181317	Hub, Carriage Return Lever 10	181868	Clip, Speed 34	182677	Cable w/Terminals 22
181318	Lever, Actuating 24	181869	Relay, Motor Start 34	182726	Terminal, Receptacle Type 35
181319	Lever, Carriage Return 10	181870	Motor, 115V AC Synchronous 34,35	182894	Link 21
181320	Lever, Unlatch 10	181877	Relay w/Bracket 34	182895	Plate w/Bushing 21
181322	Pawl, Function 15	181891	Sleeve, 3/16 ID x 2-1/2" Lg Insulating 35	182898	Arm 21
181323	Spring 8	181892	Sleeve, 9/64 ID x 1" Lg Insulating 34	182900	Link w/Post 21
181324	Pawl, Function 15	181895	Sleeve, 9/64 ID x 3/8" Lg Insulating 35	182902	Spacer, .469" Thk 21
181325	Pawl, Function 15	181951	Insert, Nylon 33	182955	Link, Support 21
181326	Arm 6	181952	Stud 2	182957	Plate 21
181327	Latch 6	181954	Typewheel, NJ 6	182958	Spacer 21
181328	Lever 10	181955	Washer, Pulley 6	182960	Plate 21
181374	Terminal, Tab Type 35	181956	Drum, Spacing 6	182961	Sleeve 21
181383	Clamp, Motor 34	181957	Belt, 151T 6	182964	Arm Assembly, Drive 1,21
181384	Capacitor, 88-108 MFD 34	181983	Screw, 6-40 x 5/8 Spl 15	183052	Bracket, Contact 21
181386	Insulator 34	182015	Lever Assembly Clutch Trip 1,13	183053	Stiffener, Front 21
181387	Capacitor, 5 MFD 34	182037	Switch Assembly, Contact 15	183054	Stiffener, Rear 21
181391	Terminal 32	182047	Clutch Assembly 11,12	183055	Spring, Contact 21
181392	Terminal, Tab Type 32	182056	Modification Kit 6	183056	Spring, Contact 21
181394	Capacitor, 47-56 MFD 34	182068	Plate, Identification 35	183057	Insulator, .031" Thk 21
181405	Plate 13	182069	Plate, Identification 35	183058	Insulator, .062" Thk 21
181406	Roller 13	182137	Contact Assembly 21	183059	Bushing, Insulating 21
181407	Spring 19	182155	Plate, Right 7	183060	Terminal, Lug 21
181409	Belt, 47T 19	182156	Plate, Left 7	183062	Cover, Contact 21
181411	Pinion, 18T 34	182157	Bushing, Shoulder 7	183098	Lever, Trip 21
181413	Drum, Clutch 19	182181	Fan 34	183110	Shim, .004" Thk 21,31
181414	Pulley, 34T 19	182182	Holder, Fuse 35	183130	Insulator 21
181416	Plate w/Stud 34	182183	Deflector, Air 34	183301	Plate, Paper Guide 4
181420	Pulley w/54T Gear, 17T 34	182237	Pawl, Function 15	183303	Knob, Disengaging 4
181424	Nut, 6-40 Sq 11,12	182239	Lever, Latch 20	183304	Knob, Sprocket 4
181425	Plate 11	182241	Motor, 60 Cycle Synchronous 34,35	183308	Plate, Right 4,5
181426	Plate, Spacer 11	182244	Lever, Cam Follower 20	183309	Plate, Left 4,5
181427	Plate, Nut 11	182250	Foot, Rubber 33	183310	Platen 4
181440	Bracket, Switch 16	182262	Arm, Stop 20	183313	Bar 4
181441	Switch 16	182263	Bracket 20	183314	Guide, Right Paper 4
181449	Plate, Contact 15	182264	Stud 20	183315	Guide, Left Paper 4
181450	Block, Contact 15	182267	Motor, 50 Cycle Synchronous 34,35	183316	Bracket 4
181460	Plate w/Post 15	182268	Lever, Cam Follower 20	183317	Bracket, Right 4
181461	Gong 15	182269	Modification Kit 20	183318	Bracket, Left 4
181464	Clapper 15	182272	Resistor, 10 Ohm 34	183319	Detent, 21T 4
181500	Link, Drive 3	182276	Lever, Answer Back Trip 20,22	183320	Pulley, 21T 4
181501	Upstop, Line Feed Link 3	182277	Spring 20	183321	Sprocket, Feed 4
181503	Bracket, Guide 23	182280	Typewheel, MB 26	183322	Pulley, 21T 4
181521	Spring, Platen 3	182286	Insulator, .032" Thk 22,32	183323	Bracket, Right 5
181522	Guide, Paper 3	182290	Modification Kit 15,24	183324	Arm, Reverse 6
181523	Spring 2,4	182291	Modification Kit 15,24	183326	Guide, Bracket 7
181524	Nut, 2-56 Shoulder 3	182293	Typewheel, MC 26	183330	Guide 6
181525	Guide, Paper 3	182310	Bar, #8-1 Code 14	183335	Guide, Left 4
181570	Lever 24	182311	Bar, #8-2 Code 14	183336	Guide, Right 4
181571	Lever 24			183338	Knob w/Pin 4
181572	Lever 24			183339	Plunger Assembly 4
181573	Lever 24			183341	Wheel, Idler 4
181574	Lever 24			183346	Ring, Retaining 4
181575	Lever 23			183349	Washer, Flt 4
181576	Lever 24				

NUMERICAL INDEX (Continued)

Part Number	Description and Page Number	Part Number	Description and Page Number	Part Number	Description and Page Number
183351	Stud, Idler 4	183442	Lever w/Hub 4	184089	Shield 30
183352	Guide, Paper 4	183443	Bracket 5	184090	Shield 30
183356	Washer, Supporting 4	183444	Contact Assembly 30	184096	Bracket 10
183357	Spring, Compression 4	183445	Contact Assembly 5	184148	Contact, Wire 22
183358	Plate 5	183448	Pointer 29	184149	Drum, Answer-Back 22
183360	Arm 16	183449	Plate, Index 29	184157	Modification Kit 23
183361	Disk 12	183450	Screw, 4-40 x 7/32 Flat 12	184160	Solenoid 31
183364	Pulley w/20T Gear, 30T 29	183454	Retainer, Spring 4	184201	Lever 20
183367	Pulley w/28T Gear, 21T 29	183457	Plate 29	184251	Lever w/Bracket 24
183369	Pulley w/35T Gear, 21T 29	183458	Plate, Stop 29	184280	Knob Assembly 4
183371	Bearing, Sleeve 12	183462	Screw, 8-32 x 5/16 Hex 5	184685	Typewheel, MG 26
183372	Lever, Shoe Release 12	183464	Post, Spring 29	184686	Typewheel, MH 26
183373	Disk, 6 Stop 12	183465	Spacer 29	184688	Typewheel, MJ 26
183374	Disk, 6 Stop 12	183466	Bracket 29	184689	Typewheel, MK 26
183376	Collar 12	183467	Insulator 29	184690	Typewheel, ML 26
183377	Collar 29	183468	Lever, Strip 23	184691	Typewheel, MN 26
183378	Belt, 41T 29	183469	Plate 23	184692	Typewheel, MU 26
183379	Belt, 50T 29	183474	Modification Kit 6,7	184693	Typewheel, MP 26
183380	Casting, Frame 2,5,6,8,10,11, 12,13,14,15,16,17,19,20,22, 23,31,32,34	183483	Post 30	184694	Typewheel, MT 26
183381	Washer, Flat 12	183484	Cover, Contact 30	184695	Typewheel, MR 26
183382	Shaft, Main 12	183492	Clutch Assembly 12	184696	Typewheel, MV 26
183383	Pulley, 15T 12	183495	Bar, Code 14	184697	Typewheel, MW 26
183384	Disk 29	183496	Bar, Code 14	184698	Typewheel, MY 26
183385	Arm, Stop 29	183497	Bar, Code 14	184950	Typewheel, MS 26
183387	Pawl, Function 15	183498	Bar, Code 14,25	184951	Typewheel, MZ 26
183388	Pawl, Function 15	183499	Lever, Blocking 23	184952	Typewheel, NA 26
183389	Arm 12	183503	Housing, Bearing 9	184953	Typewheel, NB 26
183390	Arm w/Stud 16	183504	Retainer, Bearing 9	184954	Typewheel, HC 27
183391	Gear, 16T 29	183510	Cable Assembly 22	184955	Typewheel, ND 27
183392	Gear, 20T 29	183552	Lever 24	184956	Typewheel, NE 27
183393	Gear, 40T 29	183558	Post 31	184957	Typewheel, NF 27
183394	Gear, 20T 29	183560	Lever 31	184958	Typewheel, NG 27
183395	Gear, 24T 29	183561	Bracket, Magnet 31	184959	Typewheel, NH 27
183396	Gear, 20T 29	183562	Bracket 32	184960	Typewheel, NK 27
183397	Gear, 24T 29	183563	Bracket 31	184961	Typewheel, NL 27
183398	Gear, 44T 29	183564	Bracket w/Stud 31	184962	Typewheel, NM 27
183399	Gear, 45T 29	183565	Bar w/Link 31	184963	Typewheel, NP 27
183400	Gear, 70T 29	183588	Typewheel, MD 26	184964	Typewheel, NR 27
183401	Gear, 40T 29	183599	Typewheel, ME 26	184965	Typewheel, NS 27
183402	Gear, 51T 29	183851	Retainer, Left 23	184966	Typewheel, NT 27
183403	Gear, 50T 29	183852	Pin 31	184967	Typewheel, NU 27
183404	Gear, 36T 29	183853	Retainer, Right 23	184968	Typewheel, NV 27
183405	Bail 29	183861	Plate, Stop 5	184969	Typewheel, NW 27
183406	Bracket, Stop 29	183862	Terminal 5,30	184970	Typewheel, NX 27
183407	Arm 29	183863	Spring, Contact 5,30	184971	Typewheel, NY 27
183408	Arm 12	183864	Spring, Contact 5,30	184972	Typewheel, NZ 27
183409	Arm, Latch 29	183865	Bushing, Insulating 5,30	184973	Typewheel, PA 27
183411	Plate, Cam 29	183876	Screw, 6-32 Set 4	184974	Typewheel, PB 27
183415	Roller 19	183877	Modification Kit 29	184975	Typewheel, PC 27
183418	Shaft, Distributor 19	183878	Modification Kit 29	184976	Typewheel, PD 27
183422	Roller 29	183879	Modification Kit 29	184977	Typewheel, PE 28
183423	Bracket, Spring 29	183880	Modification Kit 29	184978	Typewheel, PF 28
183425	Clamp 15,16	183881	Modification Kit 29	184979	Typewheel, PG 28
183426	Clamp 15	183882	Modification Kit 29	184980	Typewheel, PH 28
183428	Shaft 29	183883	Modification Kit 29	184981	Typewheel, PJ 28
183429	Bail 29	183884	Spring 29	184982	Typewheel, PL 28
183430	Arm 29	183887	Bail, L.F. 29	184983	Typewheel, PM 28
183431	Bail, Clutch Latch 29	183992	Typewheel, MF 26	184984	Typewheel, PN 28
183432	Bail, Reset 29	183993	Camsleeve 11,12	184985	Typewheel, PR 28
183433	Bracket, Side 29	183994	Link 9,10,11,12	184986	Typewheel, PT 28
183434	Bracket, Contact Switch 30	183995	Lever 9	184987	Typewheel, PW 28
183435	Bail, Contact Switch 29	183996	Link, Toggle 10	184988	Typewheel, PX 28
183436	Bracket 29	183998	Clutch Assembly 11,12	184989	Typewheel, PY 28
183437	Bracket 29,30	183999	Spacer, .050" Thk 11,12	184990	Typewheel, PZ 28
183438	Stud 4	184006	Screw, 8-32 Self-Tapping 8,10, 13,15,22	184991	Typewheel, RA 28
		184085	Screw, 8-32 Thumb 33	184993	Typewheel, RC 28
		184088	Spring 29	184994	Typewheel, RD 28

NUMERICAL INDEX (Continued)

Part Number	Description and Page Number	Part Number	Description and Page Number	Part Number	Description and Page Number
184996	Typewheel, RF 28	185814	Platen 2	186214	Washer, Spl 16
184998	Typewheel, RH 28	185816	Screw, 6-40 x 5/16 Spl 2	186240	Set of Parts 16
184999	Typewheel, RJ 28	185834	Plate, Identification 35	186247	Shaft 11
185000	Typewheel, RL 28	185871	Screw w/Lockwasher, 8-32 x 3/8 Hex 33	186248	Shaft 12
185484	Typewheel, SB 28	185968	Latch 25	186249	Cam, Selector 18
185640	Mount, Vibration 33	185969	Hub 25	186254	Lever, Cam follower 20
185676	Terminal, Plug Type 21,22,35	185970	Lever w/Post 25	186262	Shaft, Trip Pivot 20
185677	Terminal, Receptacle Type 35	185971	Modification Kit 1,25	186313	Lever 24
185680	Plate, Identification 35	185980	Retainer 31	186401	Clutch Assembly 18
185700	Base 33	185986	Post 8,25	186446	Lever, Blocking 17
185708	Screw, 8-32 x 3/8 Hex 34	185987	Roller 8,25	186447	Lever, Blocking 17
185721	Bracket, Fuse 35	185989	Collar 4	186460	Pinion, 19T 34
185730	Modification Kit 35	185990	Platen 4	186462	Pulley w/64T Gear, 13T 34
185731	Jumper, 3-3/4" Black 35	185993	Arm, Latch 30	186468	Lever 24
185732	Bracket, Fuse 35	185994	Arm w/Hub 30	192007	Terminal, Tab Type 35
185733	Insulator 34,35	185996	Spacer 30'	194956	Spring 12
185734	Fuse, SL-BL 2-1/4 Amp 35	185997	Plate, Stop 30	195245	Sleeve, 1/2 ID x 1-1/2" Lg Insulating 35
185766	Lever 20	185998	Plate 30	195614	Pin, Key 35
185775	Extension, Armature 21,22,31	185999	Arm, Stop 30	196932	Sleeve, 7/16 ID x 1-1/4" Lg Insulating 35
185788	Arm 25	186052	Spacer, .183" Thk 19	198670	Screw w/Lockwasher, 6-40 x 5/16 Hex 2,3,4,5
185789	Stud 25	186053	Nut, Speed 19	199440	Screw, 5-40 x 4/8 Fil 11,12
185790	Plate, Detent 25	186070	Typewheel, PS 28	320246	Fuse, SL-BL 1.8 Amp 35
185791	Modification Kit 1,25	186175	Bracket 6	327323	Ring, Retaining 16
185796	Bracket 2	186213	Hub 16		
185799	Shaft 6				



33 CALL CONTROL UNIT (UCC)
PARTS

FIGURE	CONTENTS	PAGE
1	Base Plate Components - for use with Rotary Dial	2
2	Base Plate Components - for use with Touch Tone or Card Dialing	3
3	Electrical Components - for use with Rotary Dial	4
4	Electrical Components - for use with Touch Tone or Card Dialing	5
5	Base Plate and Electrical Components - for DC Signal Private Line	6
6	Electrical Components - for Computer Control Private Line	7
7	Base Plate and Electrical Components for use with Station Controller	8
8	Base Plate and Electrical Components for use with Station Controller (Continued)	9
9	Alarms and Speaker	10
10	182695, 183985, 184012 and 332709 Selector Magnet Driver Assemblies	11
11	Receive-Only Bracket Components	12
12	Dial Modifications	13
13	Key Assemblies	14
14	Power Cords and Jumpers	15
15	Cable Components	16
	Numerical Index	17

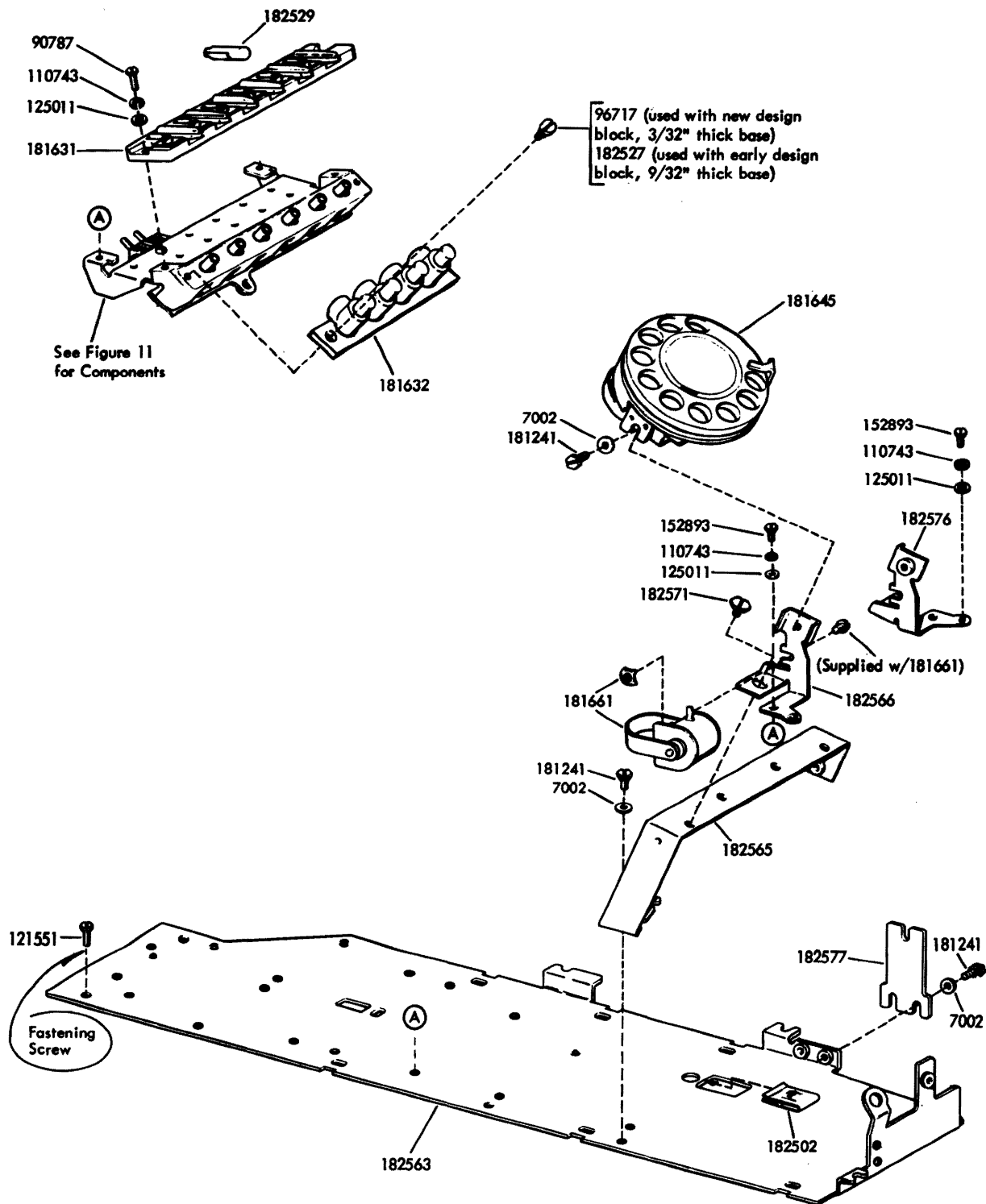


FIGURE 1. BASE PLATE COMPONENTS - FOR USE WITH ROTARY DIAL

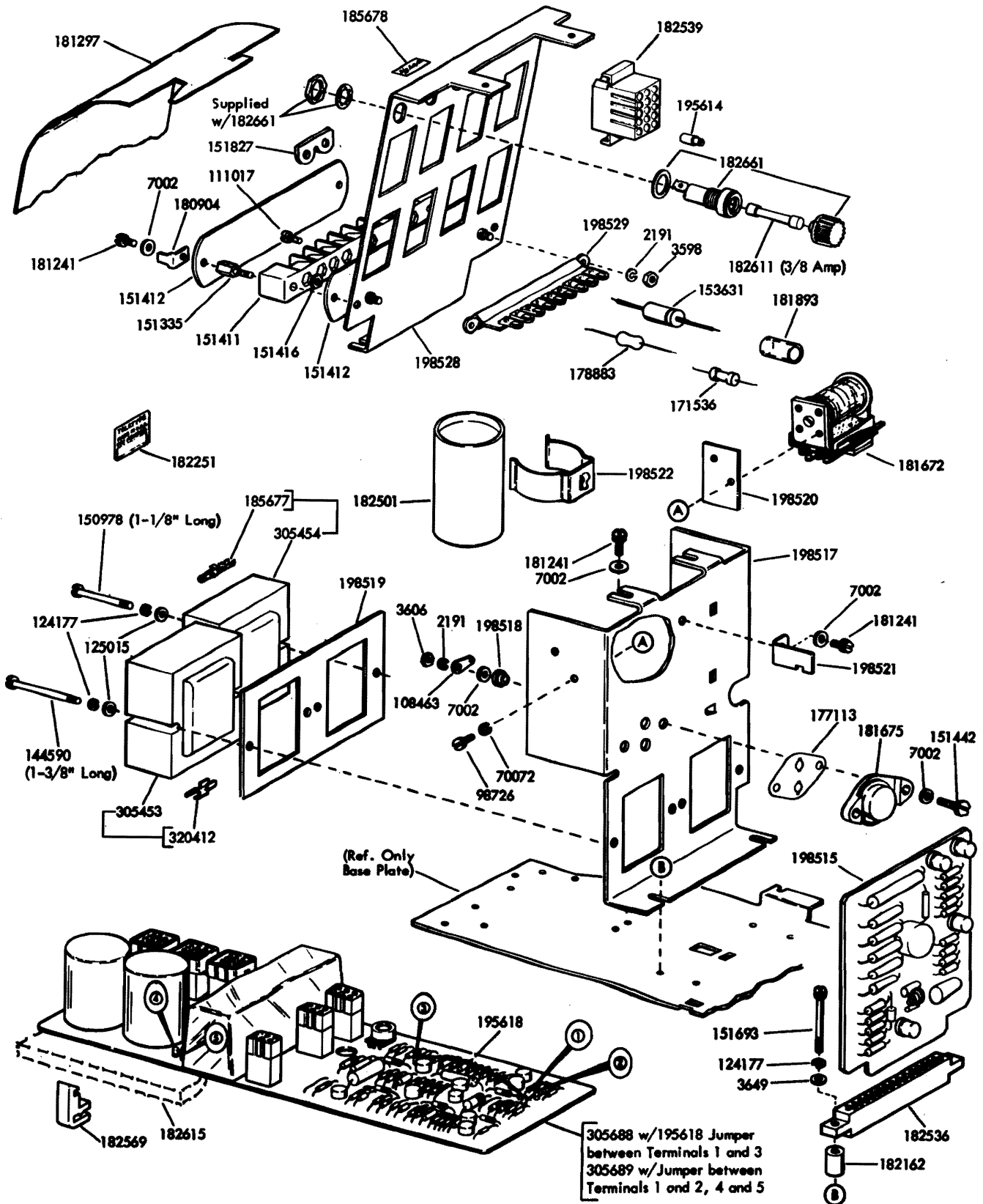


FIGURE 3. ELECTRICAL COMPONENTS - FOR USE WITH ROTARY DIAL

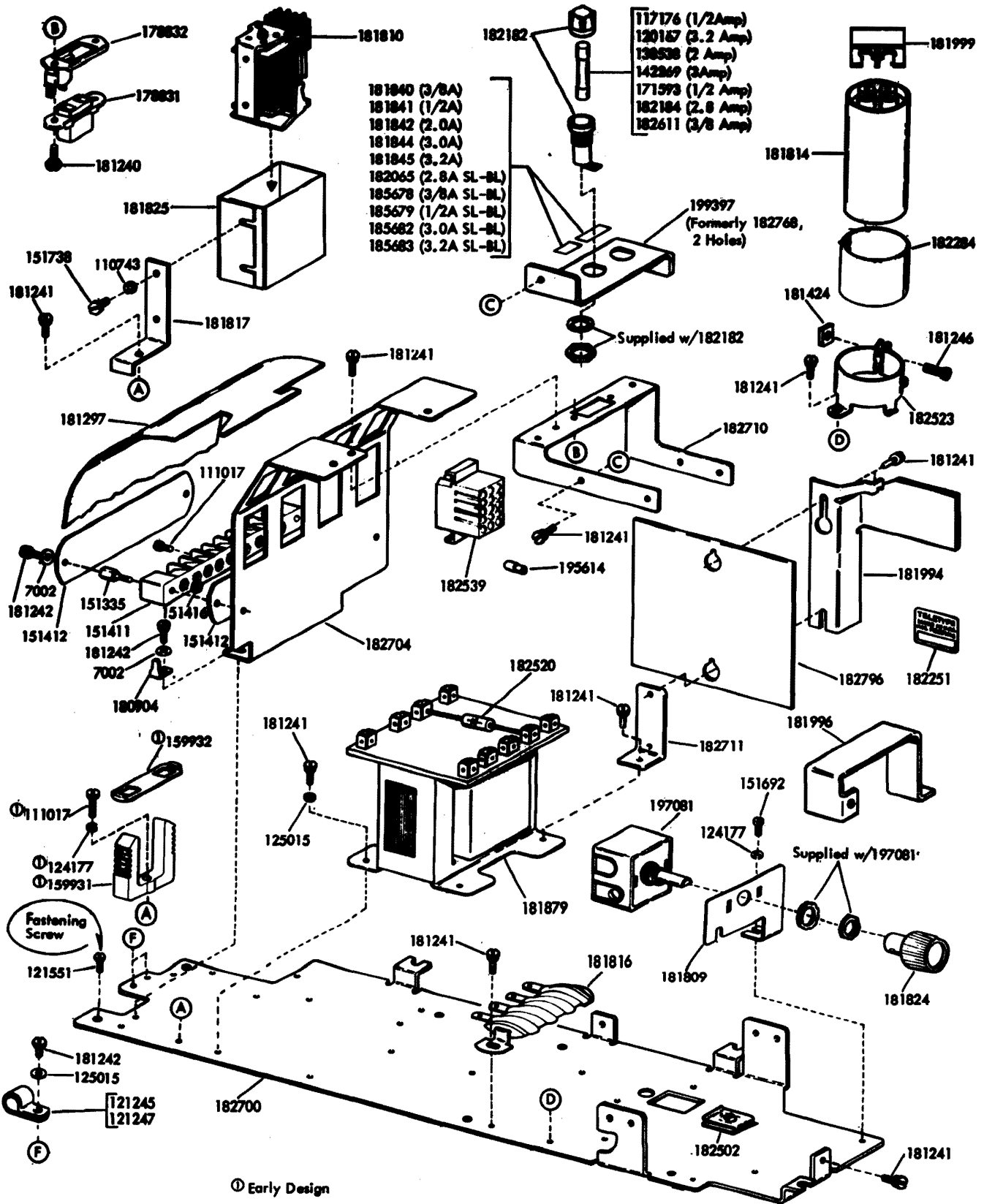


FIGURE 5. BASE PLATE AND ELECTRICAL COMPONENTS - FOR DC SIGNAL PRIVATE LINE

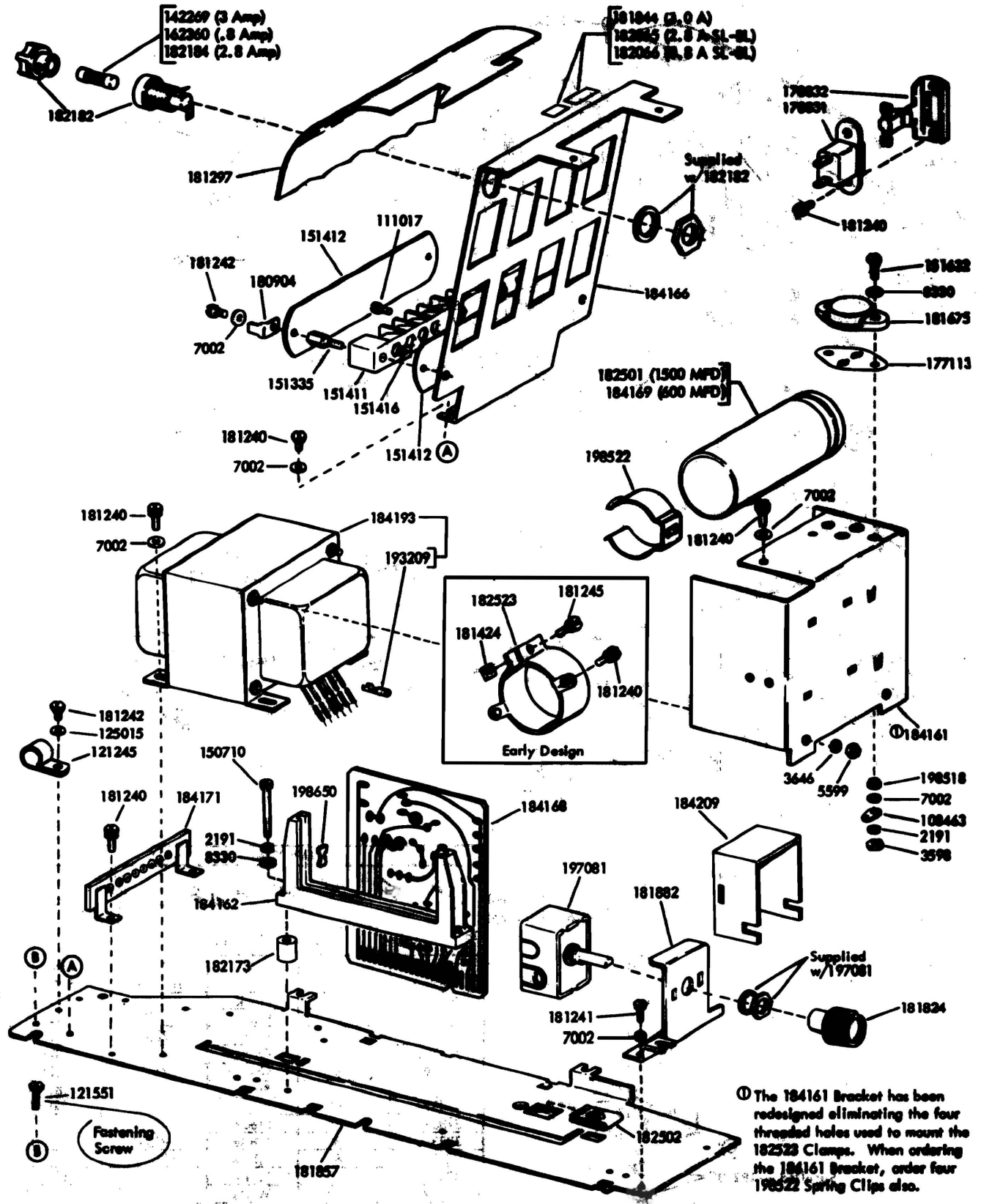


FIGURE 6. ELECTRICAL COMPONENTS - FOR COMPUTER CONTROL PRIVATE LINE

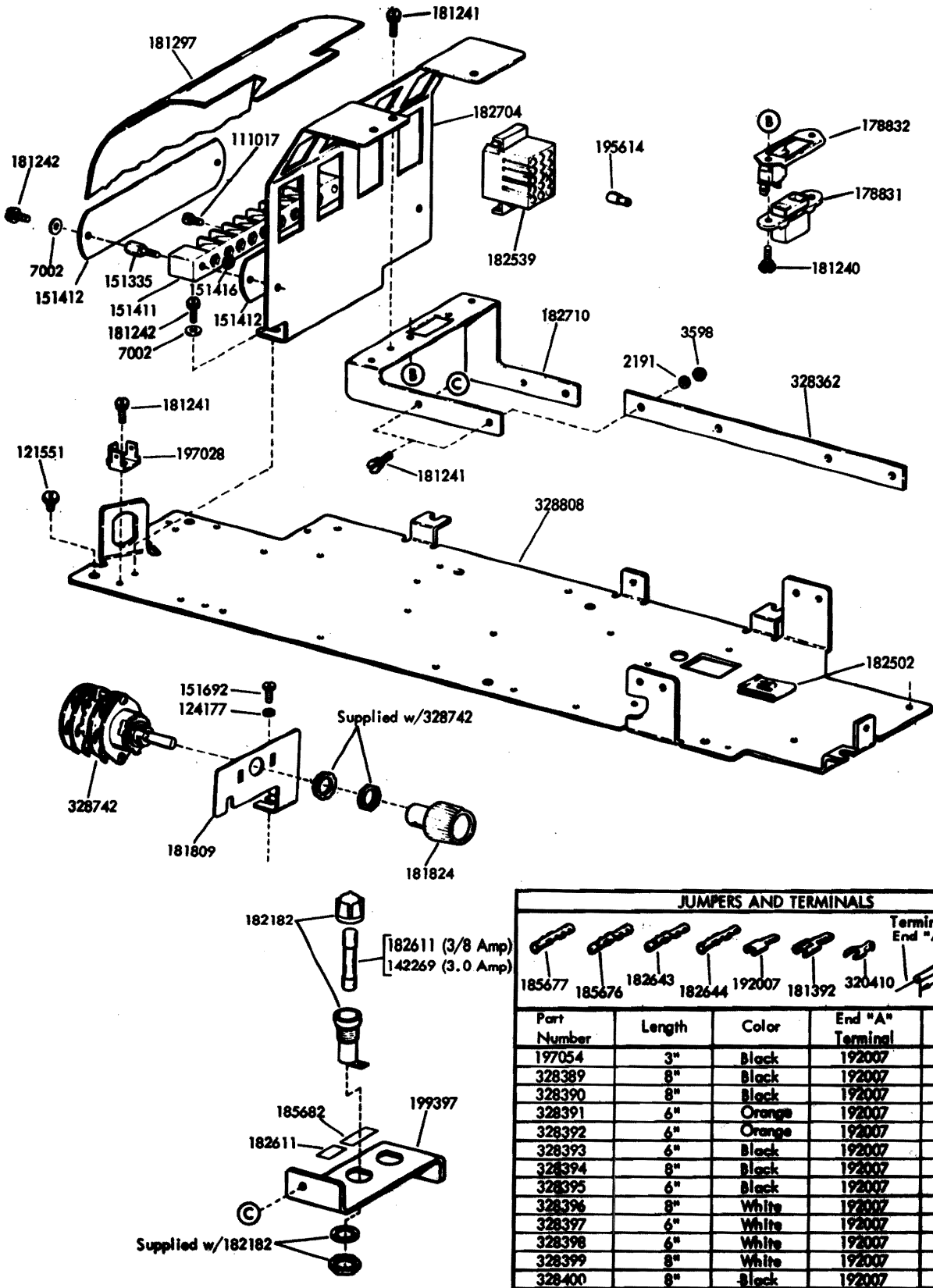


FIGURE 7. BASE PLATE AND ELECTRICAL COMPONENTS FOR USE WITH STATION CONTROLLER

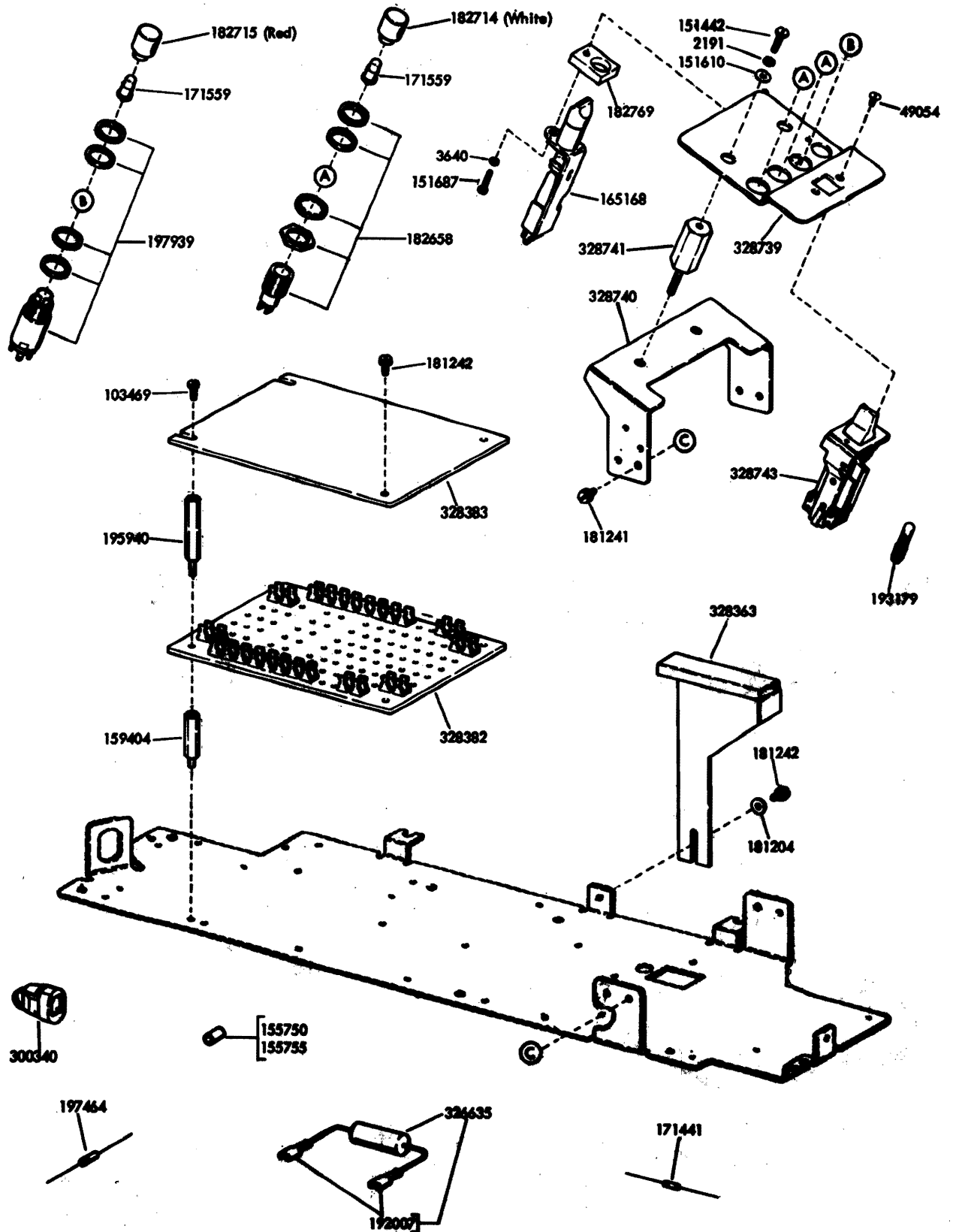


FIGURE 8. BASE PLATE AND ELECTRICAL COMPONENTS FOR USE WITH STATION CONTROLLER (Continued)

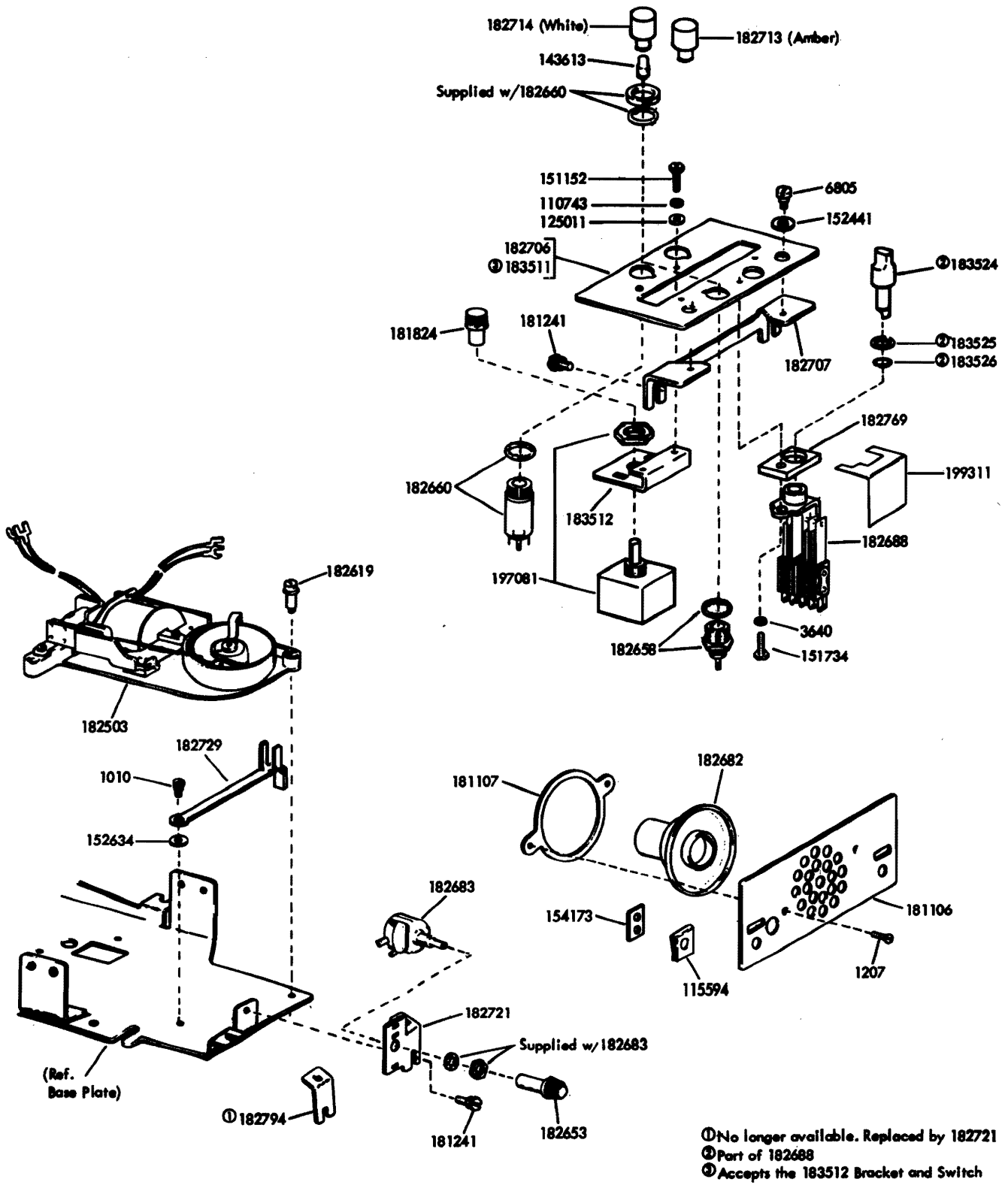
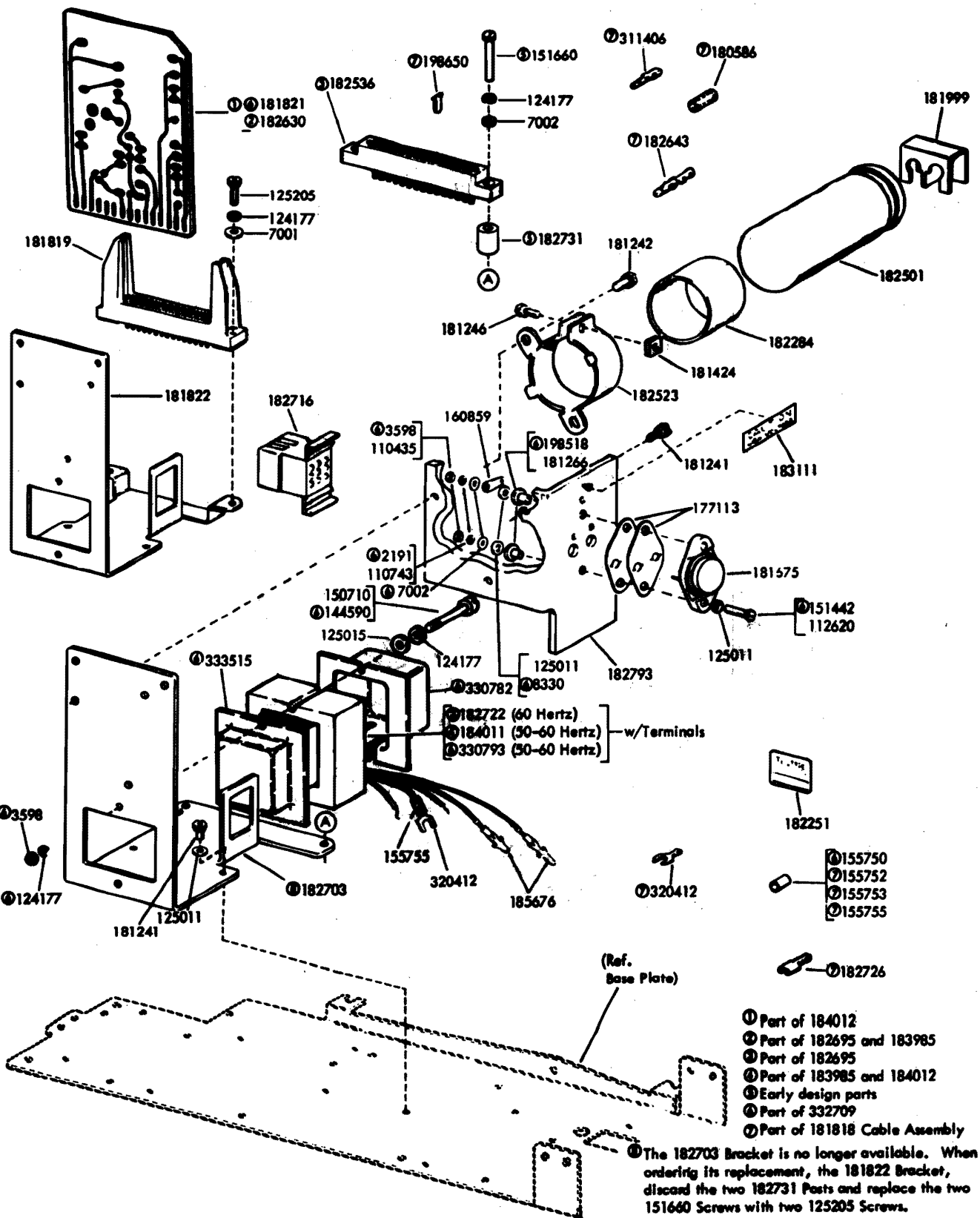


FIGURE 9. ALARMS AND SPEAKER



- ① Part of 184012
- ② Part of 182695 and 183985
- ③ Part of 182695
- ④ Part of 183985 and 184012
- ⑤ Early design parts
- ⑥ Part of 332709
- ⑦ Part of 181818 Cable Assembly
- ⑧ The 182703 Bracket is no longer available. When ordering its replacement, the 181822 Bracket, discard the two 182731 Posts and replace the two 151660 Screws with two 125205 Screws.

FIGURE 10. 182696, 183985, 184012 AND 332709 SELECTOR MAGNET DRIVER ASSEMBLIES

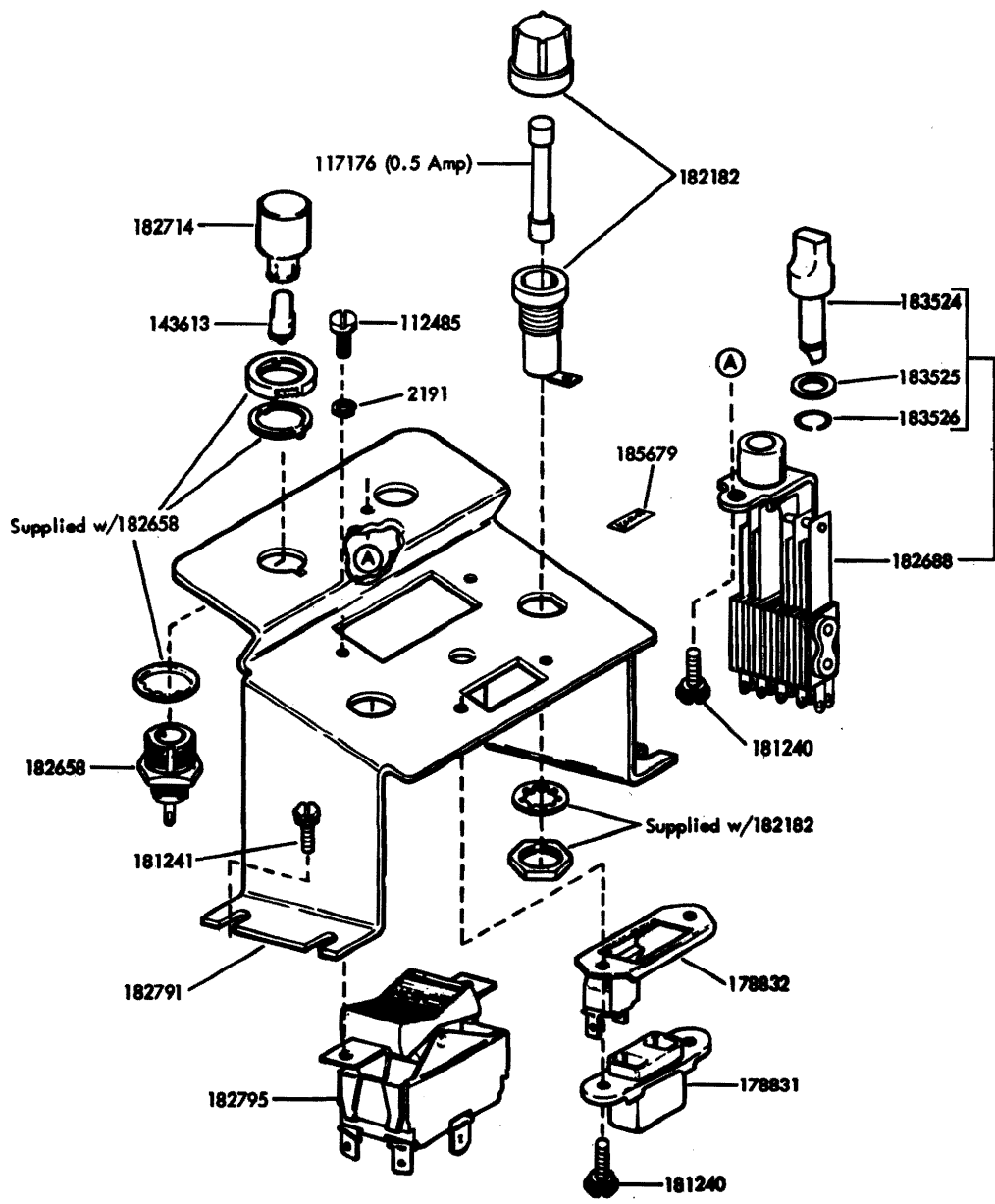
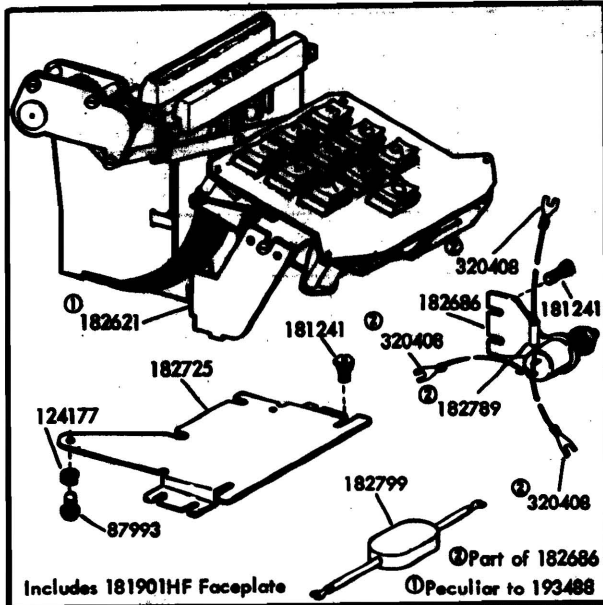
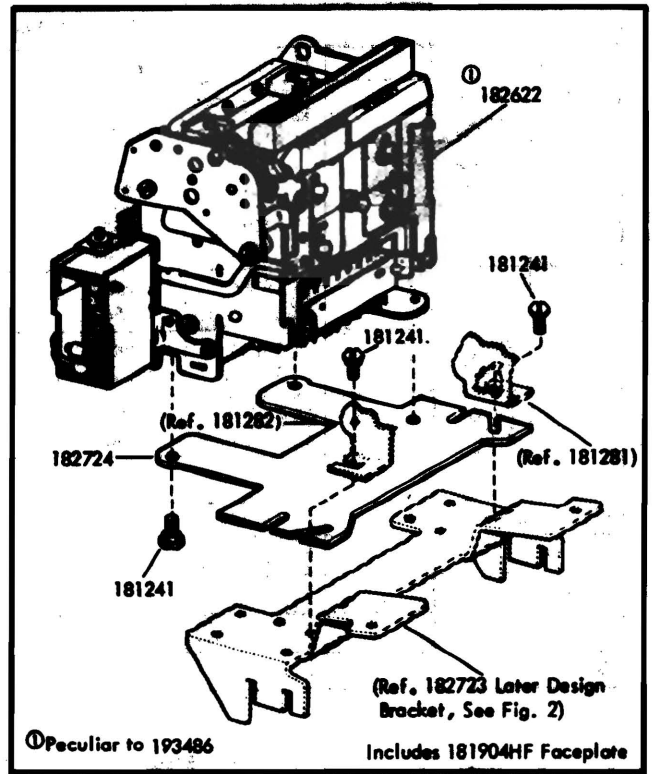
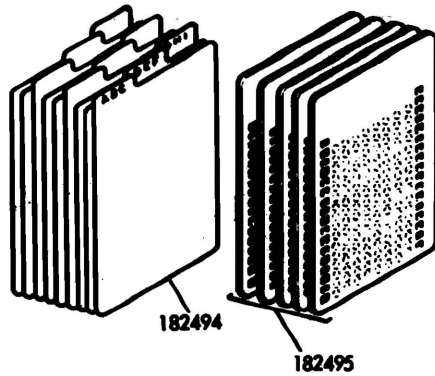


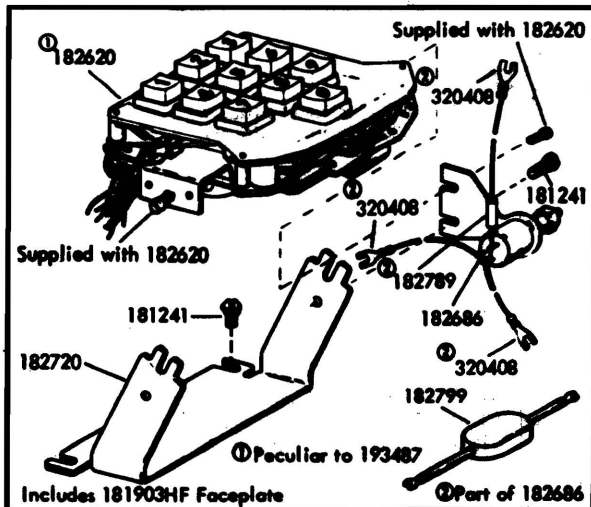
FIGURE 11. RECEIVE-ONLY BRACKET COMPONENTS



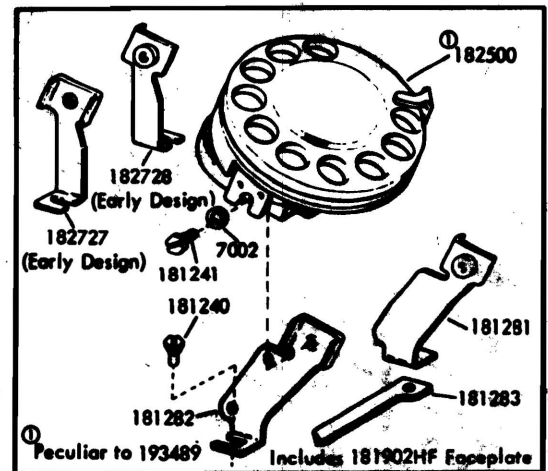
Touch Tone and Card Dial Part of 195927 (less dial) and 193488 (with dial) Modification Kits (Specification 501405)



DC Card Dial Part of 195924 (less dial) and 193486 (with dial) Modification Kits (Specification 501445)



Touch Tone Dial Part of 182489 (less dial) and 193487 (with dial) Modification Kits (Specification 501565)



Rotary Dial Part of 195926 (less dial) and 193489 (with dial) Modification Kits (Specification 501565) (also see Figure 2)

FIGURE 12. DIAL MODIFICATIONS

POSITION		182581	182582					182589
F	Plunger Switch		182559 182562					182559
E	Plunger Switch	182667 182562	182559 182561					182559 182562
D	Plunger Switch	182667 181638	182559 182562					182559 182562
C	Plunger Switch	182667	182559 182562					182559
B	Plunger Switch	182667 182562	182559 182562					182559
A	Plunger Switch		182559 182562					182559 182562
Plunger Spring		182554	182554					182554
Lockout			182556					182556
Latch Bar			182666					182666
Latch Spring			182535					182535
Bracket		181637	182557					182557

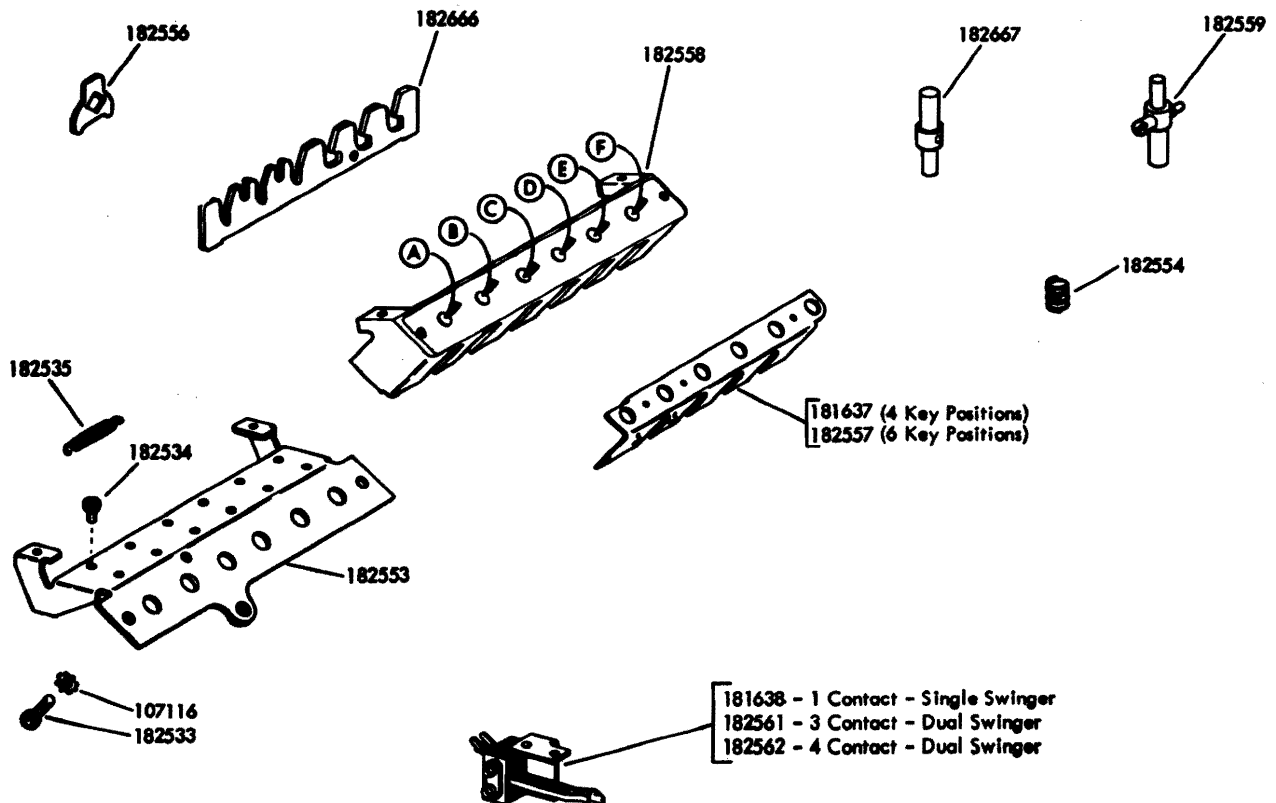


FIGURE 13. KEY ASSEMBLIES

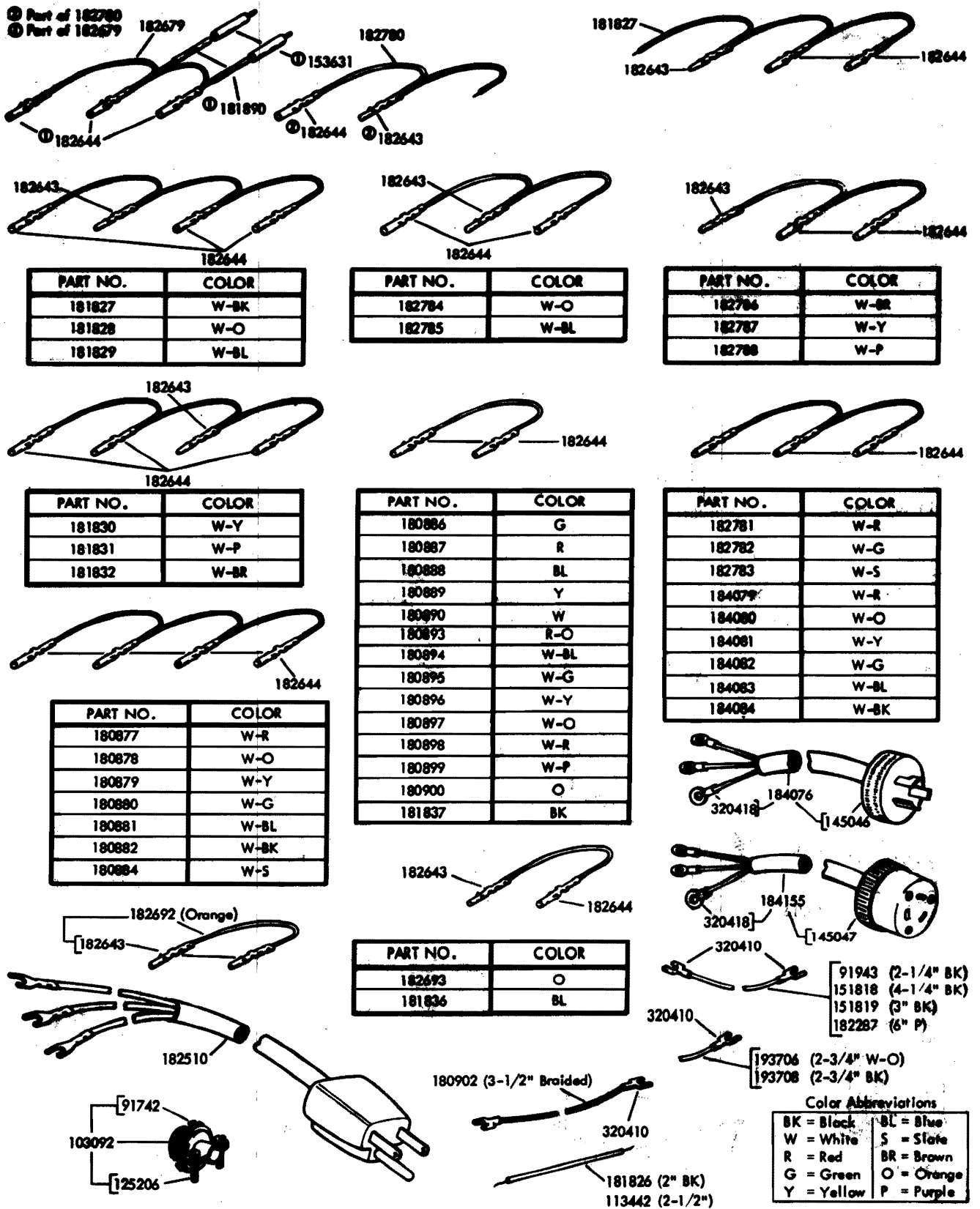


FIGURE 14. POWER CORDS AND JUMPERS



SLEEVE	D Inside Diameter	L Length
155750	3/32"	1/2"
155751	1/8"	1"
155752	5/64"	1/2"
155753	1/8"	1/2"
155755	11/64"	5/8"
181300	3/16"	1"
181890	1/16"	1"
181892	9/64"	1"
181893	3/64"	1-1/2"

CABLE CLAMPS	
Part No.	I. D.
121242	1/8"
121243	3/16"
121244	1/4"
121245	5/16"
121246	3/8"
121247	7/16"
121248	1/2"
121249	5/8"
121250	3/4"
121251	1"

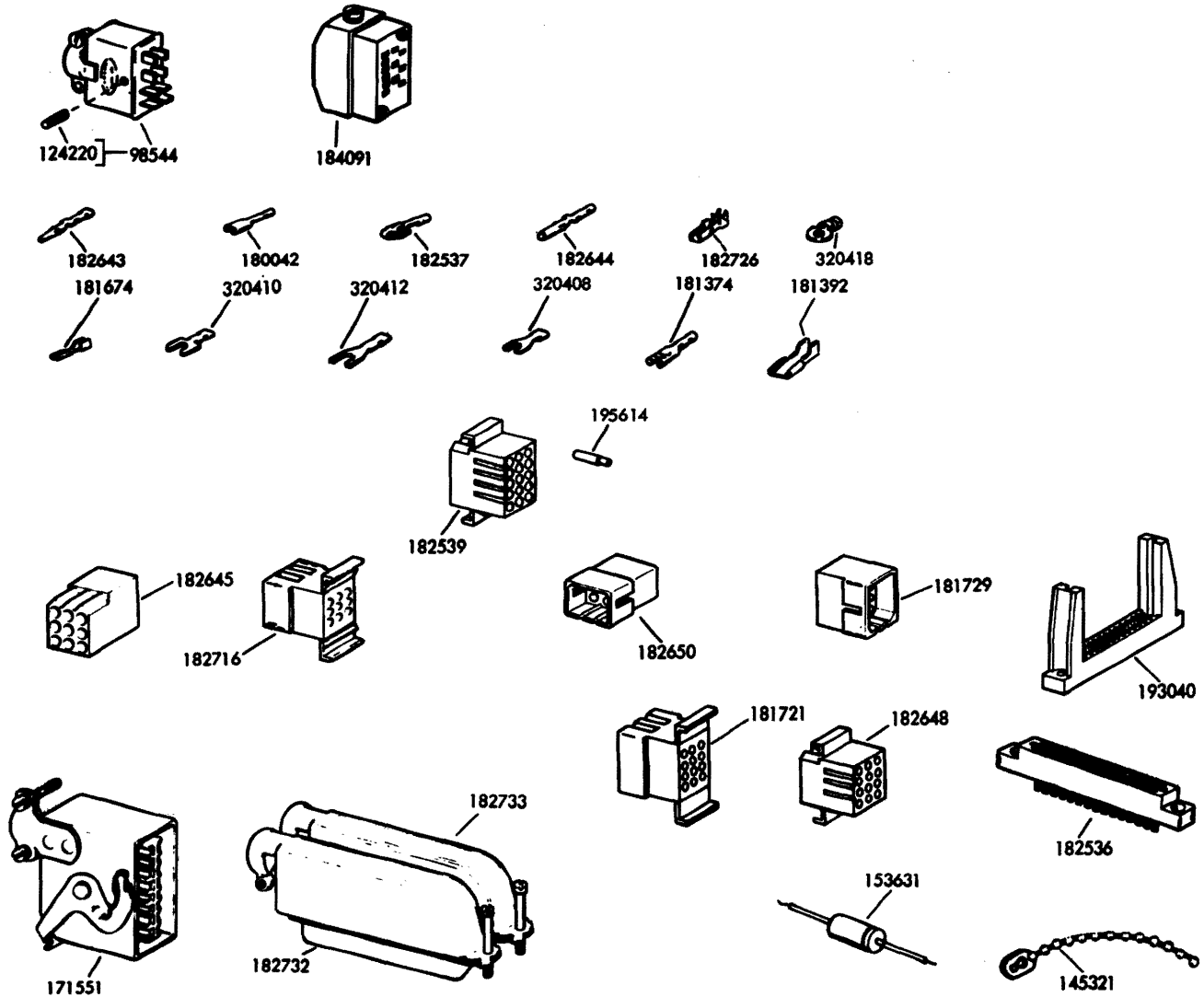


FIGURE 15. CABLE COMPONENTS

NUMERICAL INDEX

Part Number	Description and Page Number	Part Number	Description and Page Number	Part Number	Description and Page Number
1010	Screw, 6-40 Shoulder 10	150978	Screw, 6-40 x 1-1/8 Fil 4	180888	Jumper, 2-1/2" Blue 15
1028	Screw, 4-40 x 1/4 Fil 3	151073	Screw, 4-40 x 5/32 Fil 3	180889	Jumper, 2-1/2" Yellow 15
1207	Screw, 4-36 x 5/16 Flat 10	151152	Screw, 4-40 x 3/16 Hex 10	180890	Jumper, 2-1/2" White 15
2191	Washer, Lock 3, 4, 7, 8, 9, 11, 12	151335	Stud 3, 4, 5, 6, 7, 8	180893	Jumper, 2-1/2" Red-Orange 15
3598	Nut, 6-40 Hex 4, 5, 7, 8, 11	151411	Block, Terminal 4, 5, 6, 7, 8	180894	Jumper, 2-1/2" White-Blue 15
3606	Nut, 6-40 Hex 4	151412	Insulator, Terminal 4, 5, 6, 7, 8	180895	Jumper, 2-1/2" White-Green 15
3640	Washer, Lock 3, 9, 10	151415	Block, Terminal 3	180896	Jumper, 2-1/2" White-Yellow 15
3646	Washer, Lock 7	151416	Nut, 6-40 Hex 3, 4, 5, 6, 7, 8	180897	Jumper, 2-1/2" White-Orange 15
3649	Washer, Flat 4, 5	151442	Screw, 6-40 x 1/2 Hex 4, 9, 11	180898	Jumper, 2-1/2" White-Red 15
5599	Nut, 8-32 Hex 7	151610	Washer, Flat 9	180899	Jumper, 2-1/2" White-Purple 15
6805	Screw, 6-40 Shoulder 10	151632	Screw, 4-40 x 3/8 Hex 7	180900	Jumper, 2-1/2" Orange 15
7001	Washer, Flat 11	151660	Screw, 6-40 x 7/8 Fil 5, 11	180902	Jumper, 3-1/2" Beaded 15
7002	Washer, Flat 2 to 8, 11, 13	151687	Screw, 4-40 x 7/16 Fil 9	180904	Tab, Terminal 4, 5, 6, 7
8330	Washer, Flat 7, 11	151692	Screw, 6-40 x 3/16 Fil 6, 8	181106	Plate, Baffle 10
49054	Screw, 2-56 x 3/16 Flat 9	151693	Screw, 6-40 x 9/16 Fil 4	181107	Bracket 10
70072	Washer, Lock 4	151731	Screw, 4-40 x 7/8 Fil 5	181204	Washer, Flat 9
75750	Washing, Insulating 3	151734	Screw, 4-40 x 3/8 Hex 10	181240	Screw w/Lockwasher, 6-40 x 3/16 Hex 5, 6, 7, 8, 12, 13
77362	Resistor, 350 Ohm 3	151738	Screw, Identification 6	181241	Screw w/Lockwasher, 6-40 x 1/4 Hex 2 to 13
77902	Screw, 6-40 x 2-3/8 Rd 3	151818	Jumper, 4-1/4" Black 15	181242	Screw w/Lockwasher, 6-40 x 5/16 Hex 6, 7, 8, 9, 11
87993	Screw, 6-40 x 5/32 Fil 13	151819	Jumper, 3" Black 15	181243	Screw w/Lockwasher, 6-40 x 3/8 Hex 5
90787	Screw, 4-40 x 3/8 Hex 2	151827	Strap, Terminal 4	181245	Screw w/Lockwasher, 6-40 x 1/2 Hex 7
91742	Nut, Lock 15	152441	Washer, Flat 10	181246	Screw w/Lockwasher, 6-40 x 5/8 Hex 6, 11
91943	Jumper, 2-1/4" Black 15	152634	Washer, Flat 10	181263	Timer, Hour 5
96717	Screw, 4-40 Shoulder 2	152893	Screw, 4-40 x 1/4 Hex 2, 3	181264	Bracket 5
98544	Connector, 8Pt Plug 16	153484	Screw, 6-32 Spl 3	181265	Timer w/Terminals 5
98726	Screw, 3-48 x 1/4 Fil 4	153631	Network, Spark Suppression 4, 15, 16	181266	Bushing, Insulating 11
103092	Connector, Cord 15	153799	Screw, 4-40 x 21/64 Hex 3	181276	Plate, Name 5
103469	Screw, 4-40 Spl 9	154173	Plate 10	181281	Bracket, Right 13
107116	Washer, Lock 14	155750	Sleeve, 3/32 ID x 1/2" Lg Insulating 9, 11, 16	181282	Bracket, Left 13
108463	Terminal 4, 7	155751	Sleeve, 1/8 ID x 1" Lg Insulating 16	181283	Spacer, .065" Thk 3, 13
110435	Nut, 4-40 Hex 11	155752	Sleeve, 5/64 ID x 1/2" Lg Insulating 11, 16	181297	Cover, Insulating 4, 5, 6, 7, 8
110743	Washer, Lock 2, 3, 5, 6, 10, 11	155753	Sleeve, 1/8 ID x 1/2" Lg Insulating 11, 16	181300	Sleeve, 3/16 ID x 1" Lg Insulating 16
111017	Screw, 6-40 x 5/16 Fil 3 to 8	155755	Sleeve, 11/64 ID x 5/8" Lg Insulating 9, 11, 16	181374	Terminal, Tab Type 5, 16
111647	Resistor, 1,000 Ohm 3	159404	Post 9	181392	Terminal, Tab Type 8, 16
112485	Screw, 6-32 x 1/4 Fil 12	159931	Clamp 5, 6	181424	Nut, 6-40 Sq 6, 7, 11
112620	Screw, 4-40 x 1/2 Hex 3, 11	159932	Keeper, 5, 6	181631	Strip Assembly, Lamp 2
113442	Jumper, 2-1/2" Brown 15	160859	Terminal 11	181632	Button Assembly 2
115594	Nut, Speed 10	162360	Fuse, SL-BL .8 Amp 5, 7	181637	Bracket 14
117176	Fuse, SL-BL 0.5 Amp 5, 6, 12	165168	Key 9	181638	Contact, Assembly 14
120167	Fuse, SL-BL 3.2 Amp 5, 6	171441	Resistor, 560 Ohm 9	181645	Dial, Rotary 2
121242	Clamp, 1/8 ID Cable 16	171536	Resistor, 2,250 Ohm 4	181661	Buzzer, 115V AC 2
121243	Clamp, 3/16 ID Cable 16	171551	Connector, 16 Pt Plug 16	181672	Relay, Power 4
121244	Clamp, 1/4 ID Cable 16	171559	Lamp, 28V Incandescent 9	181674	Terminal, Tab Type 16
121245	Clamp, 5/16 ID Cable 6, 7, 16	171593	Fuse, .5 Amp 6	181675	Transistor, Power 4, 7, 11
121246	Clamp, 3/8 ID Cable 16	177113	Insulator 4, 7, 11	181721	Connector, 12 Pt Plug Type 16
121247	Clamp, 7/16 ID Cable 6, 16	178535	Suppressor, Spark 3	181729	Connector Assembly 16
121248	Clamp, 1/2 ID Cable 16	178831	Connector, 2 Pt Receptacle 5, 6, 7, 8, 12	181809	Bracket, Switch 6, 8
121249	Clamp, 5/8 ID Cable 16	178832	Plate, Adapter 5, 6, 7, 8, 12	181810	Relay 6
121250	Clamp, 3/4 ID Cable 16	178883	Resistor, 1,500 Ohm 4	181814	Capacitor, 250 MFD 6
121251	Clamp, 1 ID Cable 16	180042	Terminal, Tab Type 16	181816	Resistor, 4,200 Ohm 6
121551	Screw, 8-32 x 1/4 Hex 2, 3, 6, 7, 8	180586	Sleeve, 5/32 ID x 21/32" Lg Insulating 11	181817	Bracket 6
124177	Washer, Lock 4, 5, 6, 8, 11, 13	180877	Jumper, 2-3/4" White-Red 15	181818	Cable Ass 11
124240	Pin, Drive 16	180878	Jumper, 2-3/4" White-Orange 15	181819	Connector, 15 Pt Circuit Card 11
125011	Washer, Flat 2, 3, 10, 11	180879	Jumper, 2-3/4" White-Yellow 15	181821	Card, Circuit 11
125015	Washer, Flat 3, 4, 5, 6, 7, 11	180880	Jumper, 2-3/4" White-Green 15	181822	Bracket 11
125205	Screw, 6-40 x 7/16 Fil 11	180881	Jumper, 2-3/4" White-Blue 15	181824	Knob, Gray Pointer 6, 7, 8, 10
125206	Screw, 6-32 x 5/8 Fil 15	180882	Jumper, 2-3/4" White-Black 15	181825	Cover, Relay 6
136538	Fuse, SL-BL 2 Amp 6	180884	Jumper, 2-3/4" White-Slate 15	181826	Jumper, 2" Black 15
142269	Fuse, SL-BL 3 Amp 6, 7, 8	180886	Jumper, 2-1/2" Green 15	181827	Jumper, 2-3/4" White-Black 15
143613	Lamp, 14V Incandescent 10, 12	180887	Jumper, 2-1/2" Red 15		
144590	Screw, 6-40 x 1-3/8 Fil 4, 11				
145046	Connector, 3 Pt Plug 15				
145047	Connector, 3 Pt Receptacle 15				
145321	Tie, Cable 16				
150089	Screw, 4-40 x 1/2 Fil 3				
150710	Screw, 6-40 x 1-1/4 Fil 7, 11				
150966	Insulator, Terminal 3				

NUMERICAL INDEX (Continued)

Part Number	Description and Page Number	Part Number	Description and Page Number	Part Number	Description and Page Number
181828	Jumper, 2-3/4" White-Orange 15	182562	Contact Assembly 14	182723	Bracket 3,13
181829	Jumper, 2-3/4" White-Blue 15	182563	Plate w/Bracket 2	182724	Plate, Dial 13
181830	Jumper, 2-3/4" White-Yellow 15	182565	Bracket 2	182725	Plate, Tone Dialer 13
181831	Jumper, 2-3/4" White-Purple 15	182566	Bracket, Left 2	182726	Terminal, Receptacle Type 11,16
181832	Jumper, 2-3/4" White-Brown 15	182569	Clamp 4	182727	Bracket, Left 13
181836	Jumper, 4-1/2" Blue 15	182571	Screw, 6-40 Shoulder 2	182728	Bracket, Right 13
181837	Jumper, 4-1/2" Black 15	182576	Bracket, Right 2	182729	Link, Ringer 10
181840	Plate, Name 6	182577	Bracket 2	182730	Bracket, Support 3
181841	Plate, Name 5,6	182581	Key Assembly 14	182731	Post 5,11
181842	Plate, Name 6	182582	Key Assembly 14	182732	Connector, 50 Pt Plug 16
181844	Plate, Name 6,7	182589	Key Assembly 14	182733	Connector, 50 Pt Receptacle 16
181845	Plate, Name 5,6	182611	Fuse, SL-BL 3/8 Amp 4,5,6,8	182750	Card, Amplifier Circuit 5
181857	Plate 7	182615	Pad 4	182761	Capacitor, 0.5 MFD 3
181879	Transformer, Power 6	182619	Screw, 6-40 Shoulder 10	182768	Bracket, Fuse 5,6
181882	Bracket, Switch 7	182620	Dial, Touch Tone 13	182769	Block 9,10
181890	Sleeve, 1/16 ID x 1" Lg Insulating 15,16	182621	Dial, Touch Tone Card 13	182780	Jumper, 2-1/4" White-Black 15
181892	Sleeve, 9/64 ID x 1" Lg Insulating 16	182622	Dial, DC Card 13	182781	Jumper, 2-3/4" White-Red 15
181893	Sleeve, 3/64 ID x 1-1/2" Lg Insulating 4,16	182630	Card, Circuit 11	182782	Jumper, 2-3/4" White-Green 15
181901HF	Faceplate 13	182643	Terminal, Plug Type 8,11,15,16	182783	Jumper, 2-3/4" White-Slate 15
181902HF	Faceplate 13	182644	Terminal, Receptacle Type 8,15,16	182784	Jumper, 2-1/4" White-Orange 15
181903HF	Faceplate 13	182645	Connector, 9 Pt Receptacle Type 16	182785	Jumper, 2-1/4" White-Blue 15
181904HF	Faceplate 13	182648	Connector, 12 Pt Receptacle Type 16	182786	Jumper, 2-1/4" White-Brown 15
181994	Bracket, Guide 6	182650	Connector, 6 Pt Plug Type 16	182787	Jumper, 2-1/4" White-Yellow 15
181996	Insulator 6	182653	Knob 10	182788	Jumper, 2-1/4" White-Purple 15
181999	Insulator 6,11	182657	Transformer, Power 5	182789	Resistor, 200 Ohm 13
182044	Modification Kit 5	182658	Socket, Lamp 9,10,12	182791	Bracket 12
182065	Plate, Identification 6,7	182660	Switch, Pushbutton 10	182793	Plate, Heat Sink 11
182066	Plate, Identification 7	182661	Holder, Fuse 4	182794	Bracket 10
182162	Post 4	182666	Bar, Latch 4	182795	Switch, DP-DT 12
182173	Spacer 7	182667	Plunger 14	182796	Insulator, .032" Thk 5,6
182182	Holder, Fuse 5,6,7,8,12	182669	Relay, Power 3	182799	Capacitor, 20-30 MFD 13
182184	Fuse, 2.8 Amp 6,7	182679	Jumper w/Spark Suppression 15	183111	Label 11
182251	Plate, Identification 4,6,11	182682	Speaker, 2" 10	183511	Plate, Pilot 10
182284	Insulator, .015" Thk 6,11	182683	Resistor, 50 Ohm 10	183512	Bracket, Switch 10
182287	Jumper, 6" Purple 5,15	182684	Strap 3	183524	Button, Turn 10,12
182489	Modification Kit 13	182685	Strap 3	183525	Washer, Flat 10,12
182494	Card Set, Index 13	182686	Resistor Assembly 50,000 Ohm 13	183526	Ring, Retaining 10,12
182495	Card Set, Dialing 13	182688	Switch, Turn Button 10,12	183985	Driver Assembly, Selector Magnet 1,11
182500	Dial, Rotary 13	182692	Jumper, 2-1/4" Orange 15	184011	Transformer w/Terminals 11
182501	Capacitor, 1,500 MFD 4,7,11	182693	Jumper, 2-1/4" Orange 15	184012	Driver Assembly, Selector Magnet 1,11
182502	Nut, #14 Speed 2,3,6,7,8	182695	Driver Assembly, Selector Magnet 1,11	184076	Cable Assembly 15
182503	Ringer w/Terminals 10	182696	Cable Assembly 11	184079	Jumper, White-Red 15
182510	Cord, Power 15	182700	Plate, Base 3,6	184080	Jumper, White-Orange 15
182520	Rectifier 5,6	182703	Bracket 11	184081	Jumper, White-Yellow 15
182523	Clamp, 1-3/8" ID Mounting 6,7,11	182704	Bracket 5,6,8	184082	Jumper, White-Green 15
182524	Button Assembly 3	182706	Plate, Pilot 10	184083	Jumper, White-Blue 15
182527	Screw, 4-40 Shoulder 2	182707	Bracket, Pilot 10	184084	Jumper, White-Black 15
182529	Lamp, 10V 2,3	182708	Bracket, Left 3	184091	Connector, 12 Pt Plug 16
182532	Filter 3	182709	Bracket, Right 3	184155	Cable Assembly 15
182533	Screw, 6-32 x 5/16 Rd 14	182710	Bracket, Upper 5,6,8	184161	Bracket 7
182534	Screw, 4-40 Spl 14	182711	Bracket, Lower 5,6	184162	Connector, 22 Pt Circuit Card 7
182535	Spring 14	182713	Cap, Amber Lens 10	184166	Bracket 7
182536	Connector, 15 Pt Circuit Card 4,5,11,16	182714	Cap, White Lens 9,10,12	184168	Card, Circuit 7
182537	Terminal, Tab Type 16	182715	Cap, Red Lens 9	184169	Capacitor, 500-600 MFD 7
182539	Connector, 15 Pt Receptacle Type 4,5,6,8,16	182716	Connector, 9 Pt Plug Type 11,16	184171	Strip, Terminal 7
182553	Plate, Base 14	182717	Board, Terminal 3	184193	Transformer 7
182554	Spring, Compression 14	182718	Buzzer, 10V AC 3	184209	Insulator 7
182556	Lockout 14	182719	Bracket, Guide 5	185676	Terminal, Plug Type 8,11
182557	Bracket 14	182720	Bracket, Dial 13	185677	Terminal, Receptacle Type 4,8
182558	Frame 14	182721	Bracket 10	185678	Plate, Identification 4,5,6
182559	Plunger 14	182722	Transformer w/Terminals 11	185679	Plate, Identification 5,6,12
182561	Contact Assembly 14			185682	Plate, Identification 6,8
				185683	Plate, Identification 5,6
				185688	Plate, Identification 5
				192007	Terminal, Tab Type 8,9

NUMERICAL INDEX (Continued)

Part Number	Description and Page Number	Part Number	Description and Page Number	Part Number	Description and Page Number
193040	Connector w/Guide Slot 16	198520	Insulator, .062" Thk 4	328383	Board, Cover 9
193179	Lamp, 28V 9	198521	Bracket 4	328389	Jumper, 8" Black 8
193209	Connector, Receptacle Type 7	198522	Clip, Spring 4,7	328390	Jumper, 8" Black 8
193438	Strip, Lamp 3	198528	Bracket 4	328391	Jumper, 6" Orange 8
193486	Modification Kit 13	198529	Strip, Terminal 4	328392	Jumper, 6" Orange 8
193487	Modification Kit 13	198650	Key, Polarizing 7,11	328393	Jumper, 6" Black 8
193488	Modification Kit 13	199311	Insulator 10	328394	Jumper, 8" Black 8
193489	Modification Kit 3,13	199397	Bracket, Fuse 5,6,8	328395	Jumper, 6" Black 8
193706	Jumper, 3" White-Orange 15	300340	Bushing 9	328396	Jumper, 8" White 8
193708	Jumper, 3" Black 15	304992	Bushing, Blocking 3	328397	Jumper, 6" White 8
193614	Pin, Key 4,5,6,8,16	305453	Transformer w/Terminals 4	328398	Jumper, 6" White 8
193618	Jumper, 5-1/4" White-Purple 4	305454	Transformer 4	328399	Jumper, 8" White 8
193924	Modification Kit 13	305688	Card, Circuit 4	328400	Jumper, 8" Black 8
193926	Modification Kit 13	305689	Card, Circuit 4	328739	Plate, Switch 9
193927	Modification Kit 13	311406	Terminal, Receptacle Type 11	328740	Bracket, Mounting 9
193940	Stud 9	320408	Terminal, Spade Type 13,16	328741	Post 9
197028	Terminal 8	320410	Terminal, Spade Type 5,8,15,16	328742	Switch, Rotary 8
197054	Jumper, 3 IN Black 8	320412	Terminal, Spade Type 4,11,16	328743	Switch, Lever 9
197081	Switch, 3 Positions 6,7,10	320418	Terminal, Ring Type 15,16	328808	Plate, Base 8
197464	Diode 9	326635	Network, Spark Suppression 9	330782	Shield, Transformer 11
197939	Switch, Pushbutton 9	328362	Bar, Mounting 8	330793	Transformer 11
198515	Card, Circuit 4	328363	Bracket, Guide 9	332709	Driver Assembly, Selector Magnet 1,11
198517	Bracket 4	328382	Board, Terminal 9	333515	Shield, Transformer 11
198518	Bushing, Insulating 4,7,11				
198519	Insulator 4				



33 TAPE READER (UX)
PARTS

FIGURE	CONTENTS	PAGE
1	Reader Mechanism	2
2	Tape Feed Magnet	3
3	Contact Block	3
4	Reed Switch and Magnet Core	4
5	Vibration Mounting	4
	Numerical Index	5

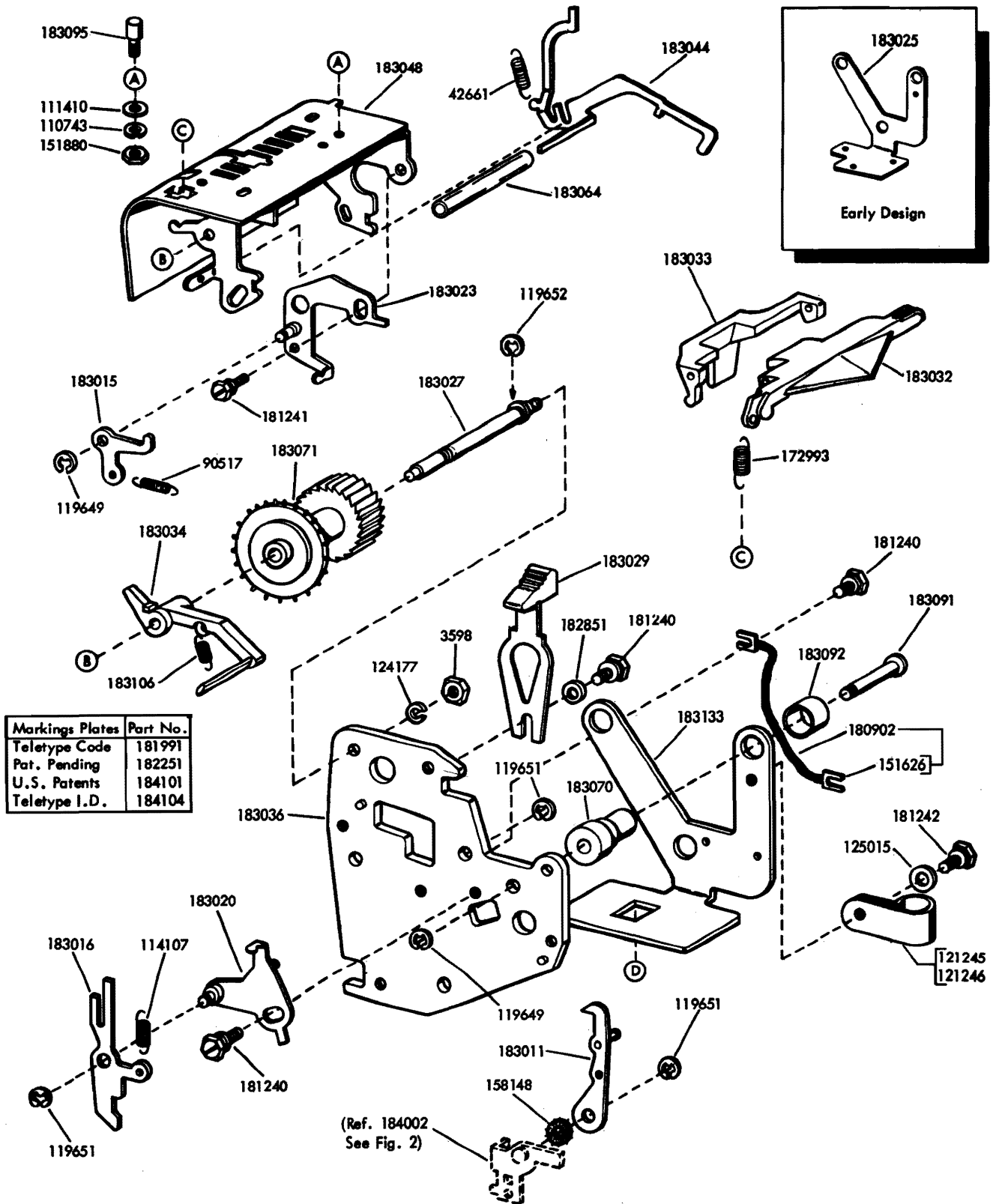


FIGURE 1 READER MECHANISM

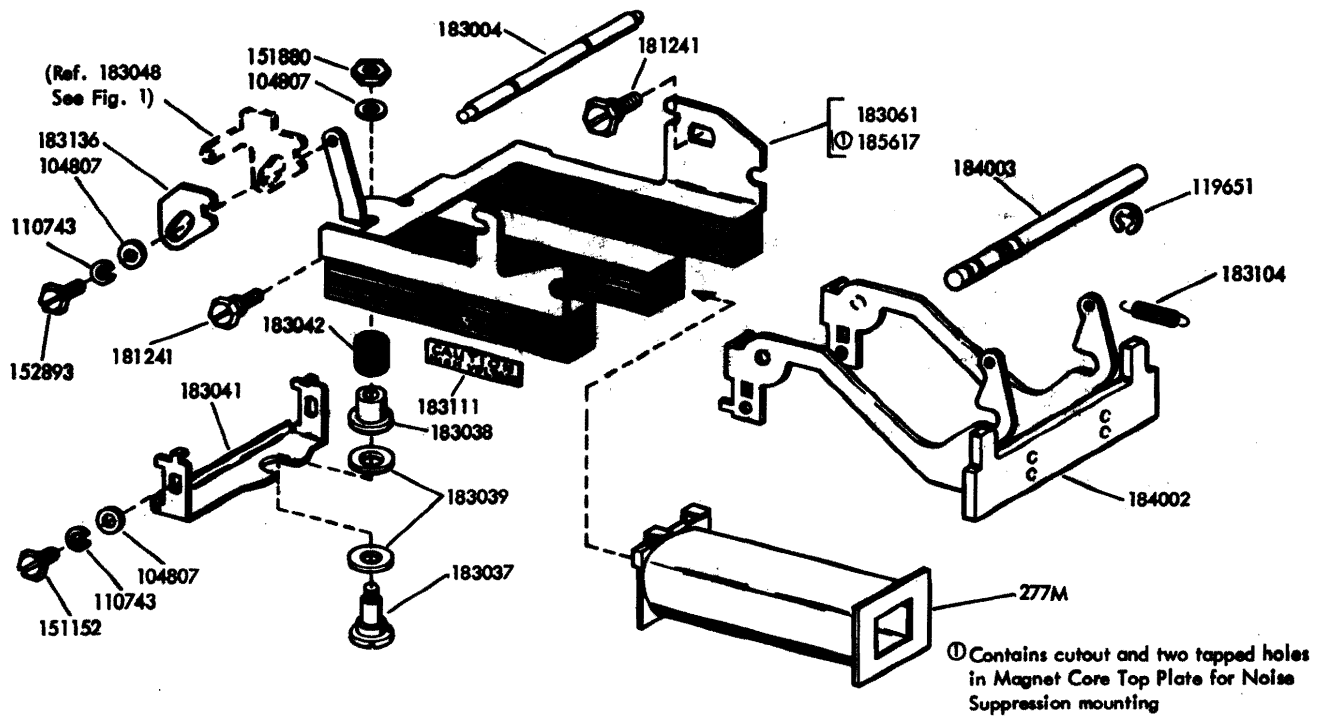


FIGURE 2. TAPE FEED MAGNET

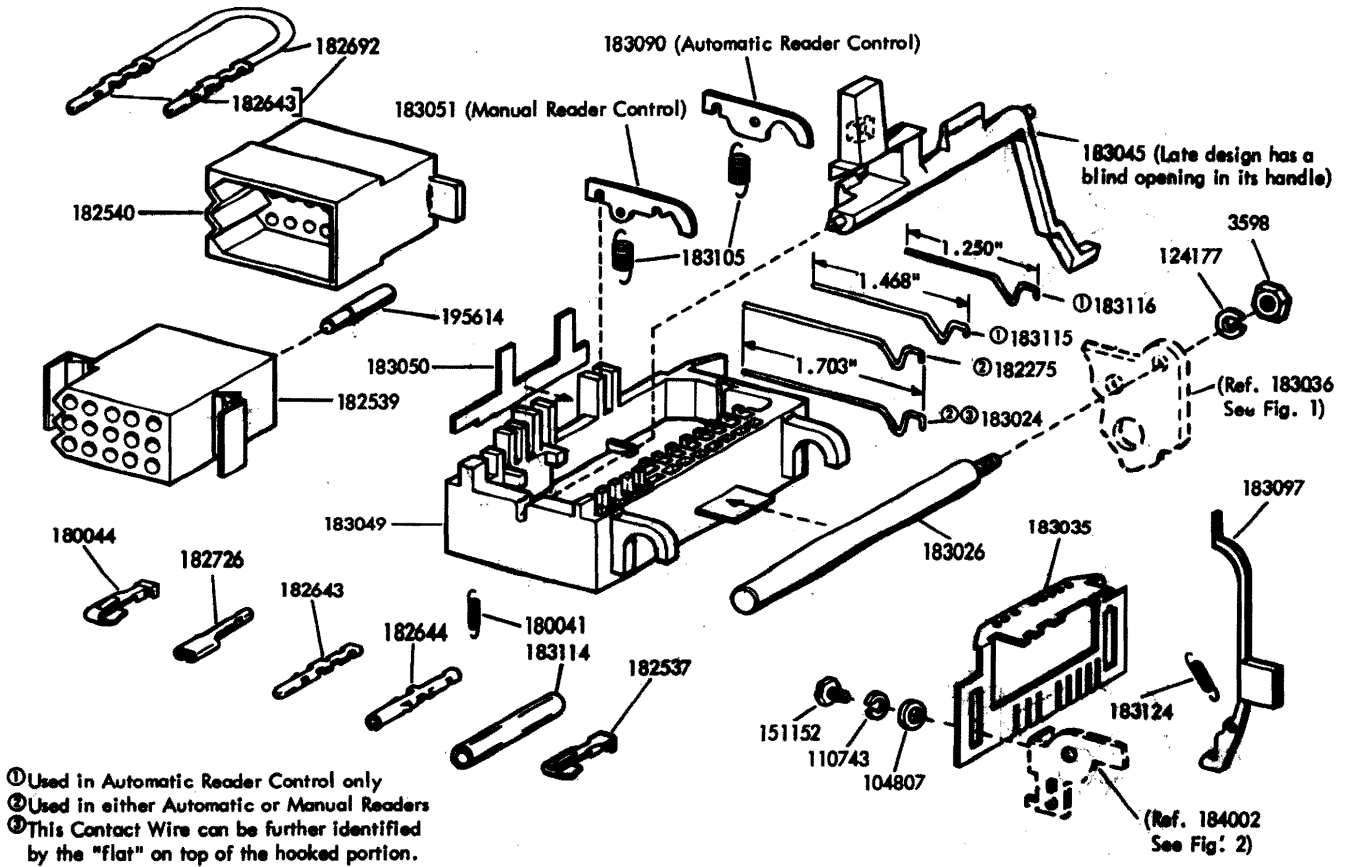


FIGURE 3. CONTACT BLOCK

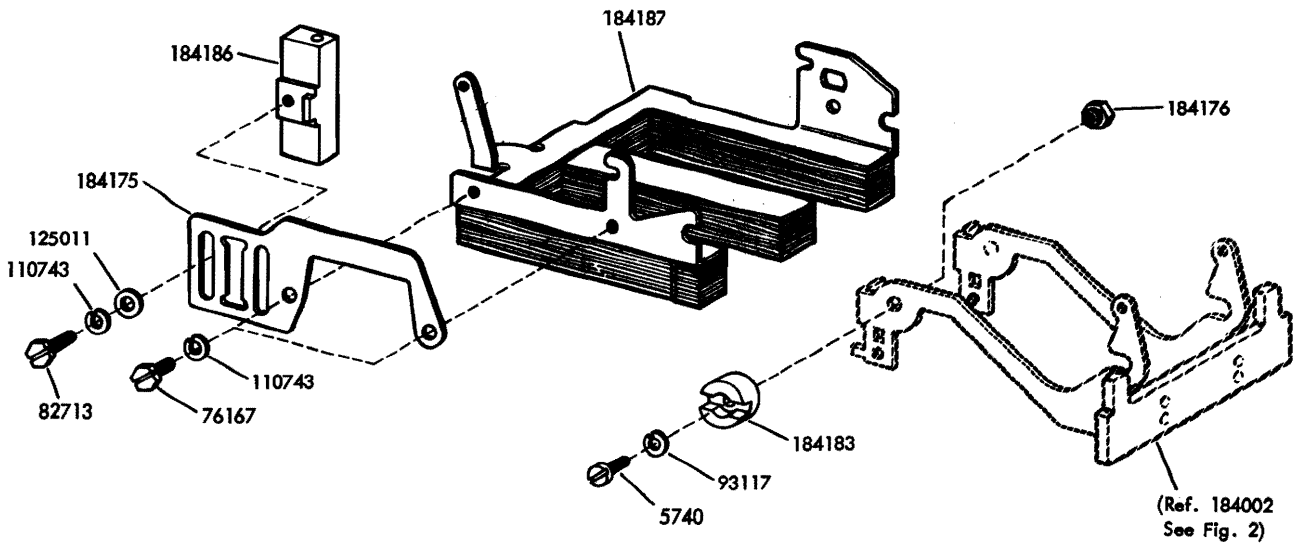


FIGURE 4. REED SWITCH AND MAGNET CORE

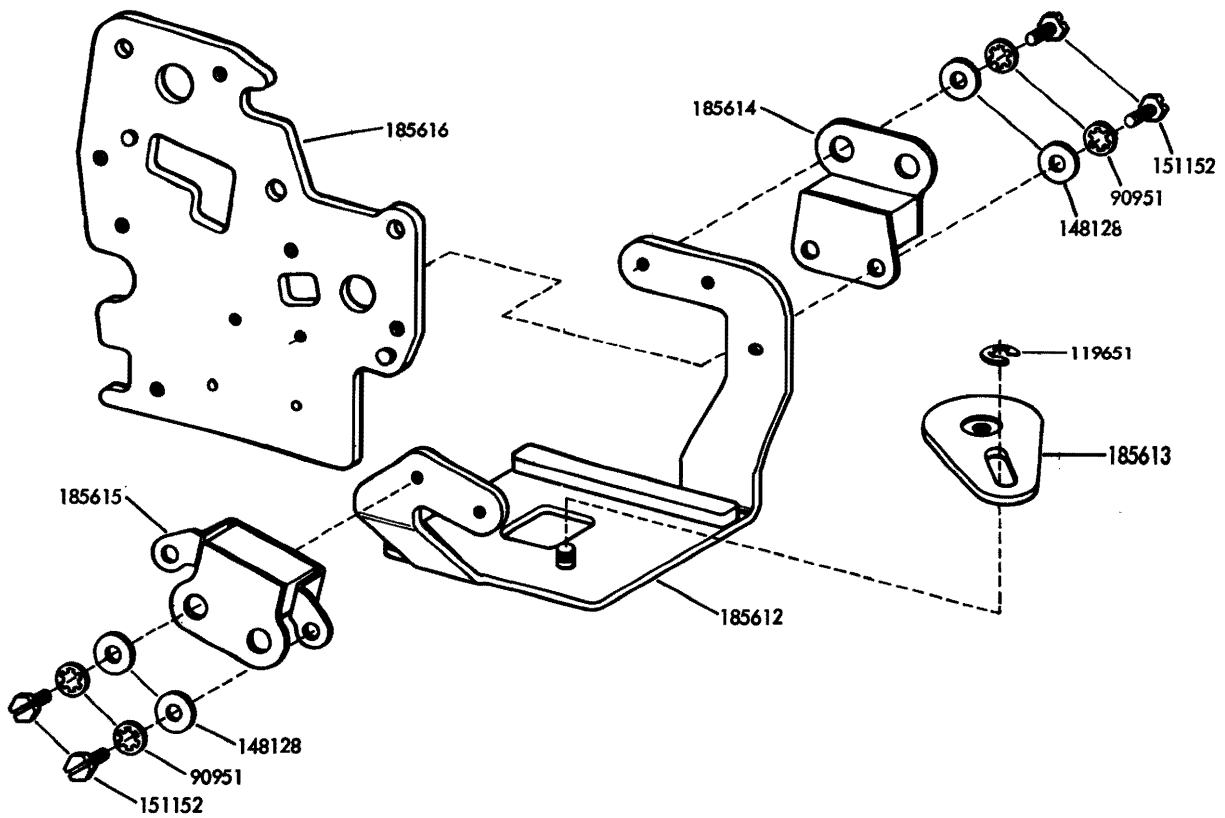


FIGURE 5. VIBRATION MOUNTING

NUMERICAL INDEX

Part Number	Description and Page Number	Part Number	Description and Page Number	Part Number	Description and Page Number
277M	Coil, Magnet 3	181991	Plate, Identification 2	183050	Bar, Common 3
3598	Nut, 6-40 Hex 2, 3	182251	Plate, Identification 2	183051	Lever, Detent 3
5740	Screw, 2-56 x 1/4 Fil 4	182275	Wire, Contact 3	183061	Core, Magnet 3
42661	Spring 2	182537	Terminal 3	183064	Insulator, Tape Out Pin 2
76167	Screw, 4-40 x 3/16 Hex 4	182539	Connector, 15 Pt Receptacle Type 3	183070	Grommet, Spacer 2
82713	Screw, 4-40 x 9/32 Hex 4			183071	Wheel, Feed 2
90517	Spring 2	182540	Connector, 15 Pt Plug Type 3	183090	Lever, Detent 3
90951	Washer, Lock 4	182643	Terminal, Plug Type 3	183091	Post 2
93117	Washer, Lock 4	182644	Terminal, Receptacle Type 3	183092	Cup 2
104807	Washer, Flat 3	182692	Jumper, 2-1/4" Orange 3	183095	Stud, Tape Guide 2
110743	Washer, Lock 2, 3, 4	182726	Terminal, Receptacle Type 3	183097	Pin, Sensing 3
111410	Washer, Flat 2	182851	Spacer 2	183104	Spring 3
114107	Spring 2	183004	Post, Spring 3	183105	Spring 3
119649	Ring, Retaining 2	183011	Pawl, Feed 2	183111	Label 3
119651	Ring, Retaining 2, 3, 4	183015	Lever, Detent 2	183114	Sleeve, Insulating 3
119652	Ring, Retaining 2	183016	Pawl, Blocking 2	183115	Wire, Contact 3
121245	Clamp, 5/16 ID Cable 2	183020	Bracket, Blocking Pawl 2	183116	Wire, Contact 3
121246	Clamp, 3/8 ID Cable 2	183023	Bracket, Detent 2	183124	Spring 3
124177	Washer, Lock 2, 3	183024	Wire, Contact 3	183133	Bracket 2
125011	Washer, Flat 4	183025	Bracket 2	183136	Plate 3
125015	Washer, Flat 2	183026	Post, Contact Block 3	184002	Armature 2, 3, 4
148128	Washer, Flat 4	183027	Shaft, Feed Wheel 2	184003	Shaft, Armature 3
151152	Screw, 4-40 x 3/16 Hex 3, 4	183029	Latch, Spring 2	184101	Plate, Identification 2
151626	Terminal 2	183032	Lid, Tape 2	184104	Plate, Identification 2
151880	Nut, 4-40 Hex 2, 3	183033	Bail, Tight Tape 2	184175	Bracket 4
152893	Screw, 4-40 x 1/4 Hex 3	183034	Lever, Tight Tape 2	184176	Nut, 2-56 Shoulder Hex 4
158148	Washer, Felt 2	183035	Guide, Sensing Pin 3	184183	Magnet 4
172993	Spring 2	183036	Plate, Back 2, 3	184186	Switch, Reed 4
180041	Spring 3	183037	Screw, 4-40 Shoulder 3	184187	Core, Magnet 4
180044	Terminal, Tab Type 3	183038	Bushing, Upstop 3	185612	Bracket 4
180902	Jumper, 3-1/2" Braided 2	183039	Buffer, Upstop 3	185613	Plate, Nut 4
181240	Screw w/Lockwasher, 6-40 x 3/16 Hex 2	183041	Bracket, Upstop 3	185614	Mount, Left Vibration 4
181241	Screw w/Lockwasher, 6-40 x 1/4 Hex 2, 3	183042	Spring, Compression 3	185615	Mount, Right Vibration 4
181242	Screw w/Lockwasher, 6-40 x 5/16 Hex 2	183044	Pin, Tape-Out 2	185616	Plate 4
		183045	Lever, Start-Stop 3	185617	Core, Magnet 3
		183048	Plate, Top 2, 3	195614	Pin, Key 3
		183049	Block, Contact 3		



33 TAPE PUNCH (UPE)

PARTS

FIGURE	CONTENTS	PAGE
1	Punch Mechanism	2
2	Punch Mechanism (Continued)	3
3	Power Bail Mechanisms	4
	Numerical Index	5

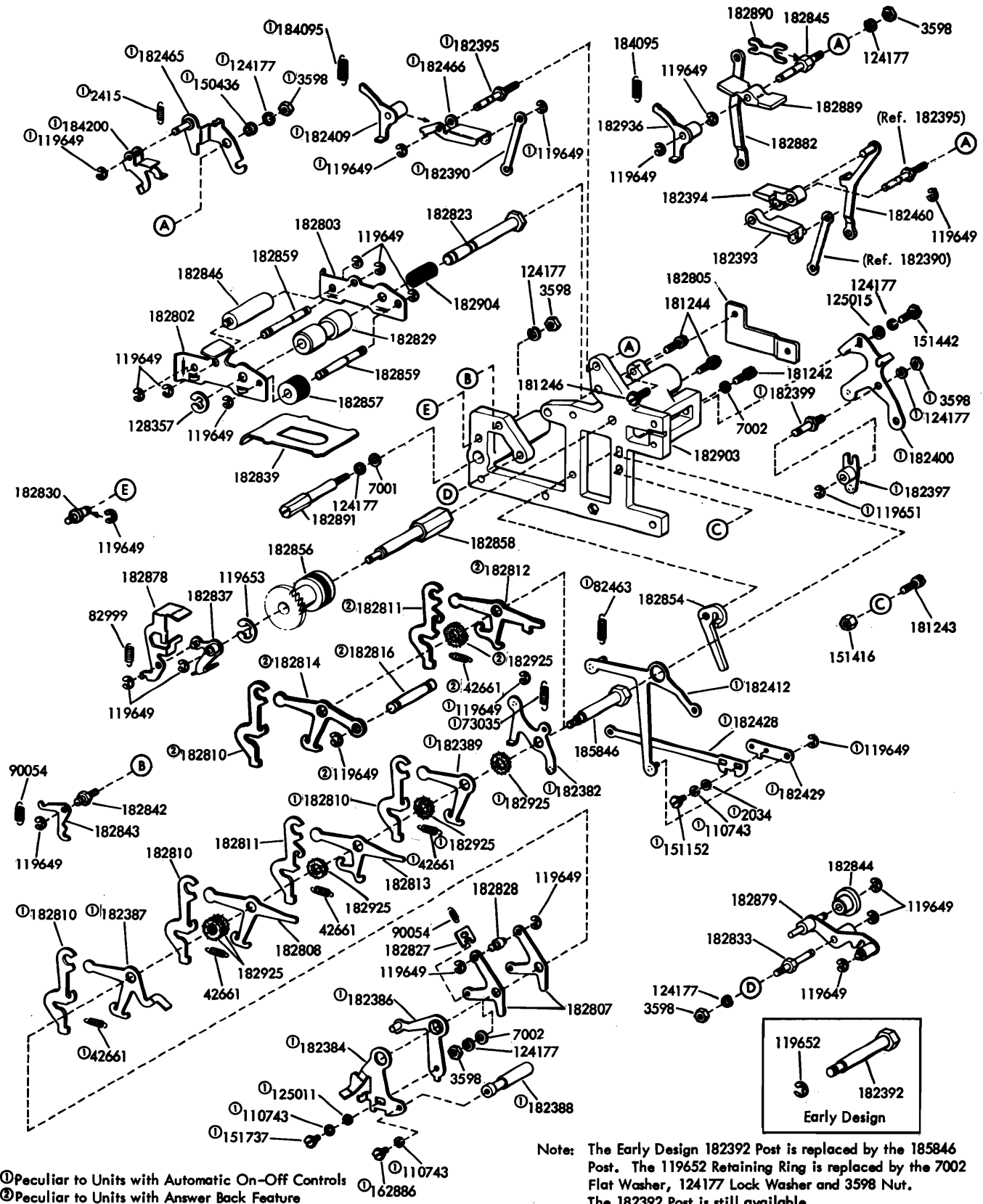
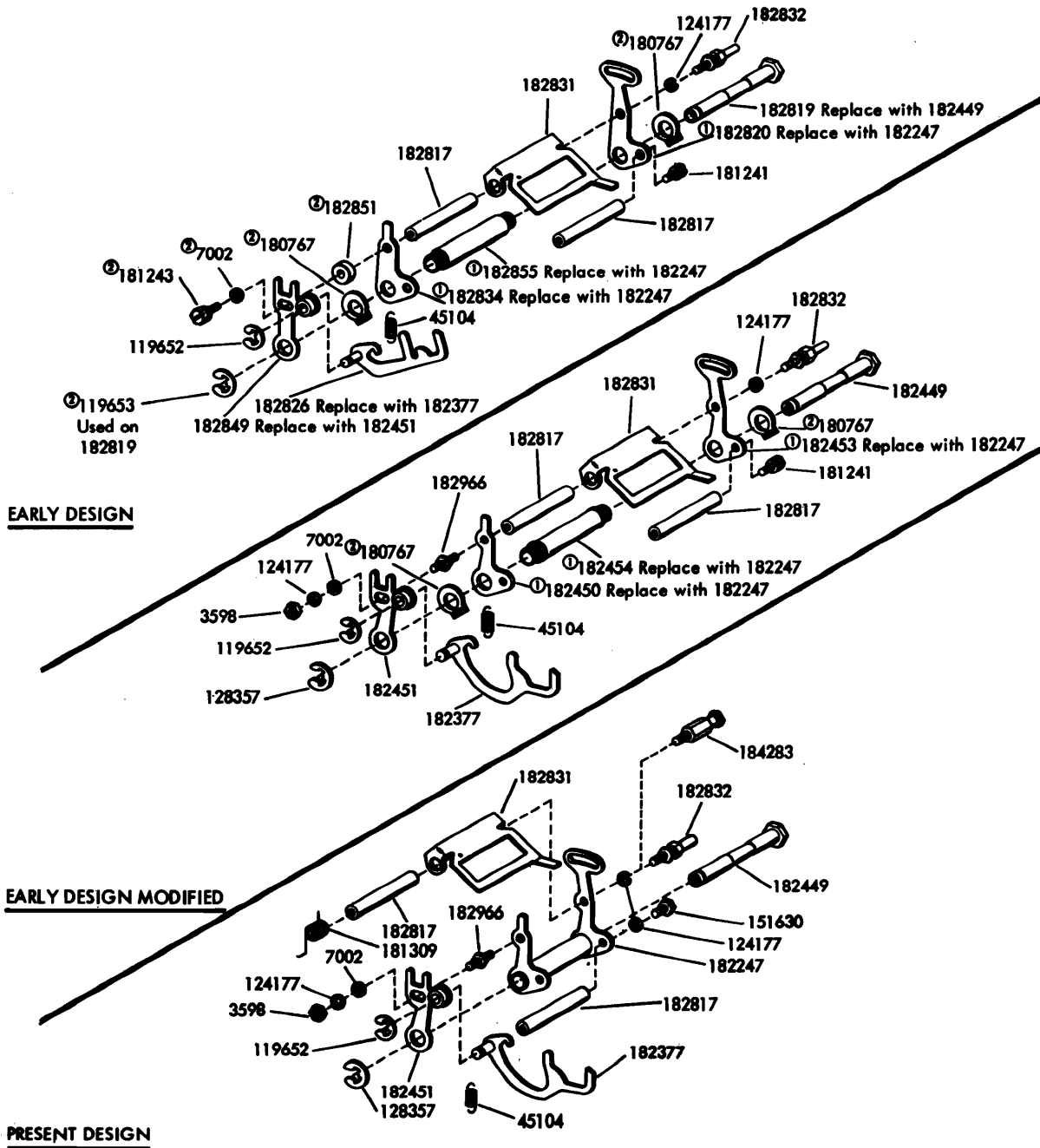


FIGURE 1 PUNCH MECHANISM



① Must be replaced with 182247 Sleeve w/Plates, 181309 Spring and 128357 Ring, Retaining (3598, 124177, 7002 and 182966 may also be ordered to update entire Power Bail Mechanism)
 ② Use only with Earlier Design Mechanisms

FIGURE 3. POWER BAIL MECHANISMS

NUMERICAL INDEX

Part Number	Description and Page Number	Part Number	Description and Page Number	Part Number	Description and Page Number
2034	Washer, Flat 2, 3	182394	Lever 2	182828	Roller 2
2415	Spring 2	182395	Post 2	182829	Sleeve 2
3598	Nut, 6-40 Hex 2, 3, 4	182397	Lever 2	182830	Post, Spring 2
7001	Washer, Flat 2	182398	Bail w/Post 3	182831	Bail 4
7002	Washer, Flat 2, 3, 4	182399	Post, Eccentric 2	182832	Post 4
7655	Spring 3	182400	Plate w/Stud 2	182833	Post 2
42661	Spring 2	182402	Lever w/Stud 3	182834	Plate 4
45104	Spring 4	182403	Lever w/Stud 3	182837	Lever w/Post 2
70466	Spring 3	182404	Lever w/Stud 3	182839	Plate 2
73035	Spring 2	182406	Lever w/Stud 3	182842	Post 2
82463	Spring 2	182409	Arm w/Stud 2	182843	Lever 2
82999	Spring 2	182410	Plate, Spring 3	182844	Roller 2
90054	Spring 2	182412	Lever w/Stud 2	182845	Post 2
104807	Washer, Flat 3	182425	Arm 3	182846	Roller 2
110743	Washer, Lock 2, 3	182427	Post 3	182847	Post 3
119649	Ring, Retaining 2, 3	182428	Link 2	182848	Arm 3
119651	Ring, Retaining 2, 3	182429	Plate 2	182849	Plate w/Bushing 4
119652	Ring, Retaining 2, 4	182430	Bail w/Stud 3	182851	Spacer, .062" Thk 4
119653	Ring, Retaining 2, 4	182431	Lever 3	182853	Hook 3
119654	Ring, Retaining 3	182432	Lever 3	182854	Bracket 2
124177	Washer, Lock 2, 3, 4	182433	Lever 2	182855	Sleeve 4
125011	Washer, Flat 2, 3	182434	Lever 3	182856	Wheel, 24T 2
125015	Washer, Flat 2	182435	Lever 3	182857	Roller 2
128357	Ring, Retaining 2, 3, 4	182437	Lever 3	182858	Post 2
150436	Bushing 2	182438	Lever 3	182859	Post 2
151073	Screw, 4-40 x 5/32 Fil 3	182439	Lever 3	182861	Lever w/Stud 3
151152	Screw, 4-40 x 3/16 Hex 2, 3	182449	Post 4	182862	Lever w/Stud 3
151416	Nut, 6-40 Hex 2	182450	Plate 4	182864	Lever w/Stud 3
151442	Screw, 6-40 x 1/2 Hex 2	182451	Plate w/Bushing 4	182872	Lever 3
151630	Screw, 6-40 x 1/4 Hex 4	182452	Plate, Guide 3	182878	Lever 2
151737	Screw, 4-40 x 11/64 Hex 2	182453	Plate 4	182879	Lever 2
152893	Screw, 4-40 x 1/4 Hex 3	182454	Sleeve 4	182882	Link 2
153799	Screw, 4-40 x 21/64 Hex 3	182455	Bracket 3	182884	Lever w/Stud 3
153817	Screw, 4-40 x 3/8 Hex 3	182457	Lever 3	182885	Lever w/Stud 3
162886	Screw, 4-40 x 7/32 Hex 2	182460	Link 2	182886	Lever w/Stud 3
180767	Ring, Retaining 4	182465	Bracket 2	182887	Lever w/Stud 3
181241	Screw w/Lockwasher, 6-40 x 1/4 Hex 4	182466	Lever w/Post 2	182888	Lever w/Stud 3
181242	Screw w/Lockwasher, 6-40 x 5/16 Hex 2, 3	182469	Post, Spring 3	182889	Lever 2
181243	Screw w/Lockwasher, 6-40 x 3/8 Hex 2, 4	182802	Bracket 2	182890	Plate 2
181244	Screw w/Lockwasher, 6-40 x 7/16 Hex 2, 3	182803	Plate 2	182891	Screw, 6-40 Spl 2
181246	Screw w/Lockwasher, 6-40 x 5/8 Hex 2	182805	Plate 2	182893	Bracket 3
181309	Spring, Torsion 3, 4	182807	Lever 2	182903	Casting 2, 3
182247	Sleeve w/Plates 4	182808	Lever 2	182904	Spring, Compression 2
182377	Pawl w/Stud 4	182810	Pawl 2	182908	Chute, Chad 3
182382	Lever 2	182811	Pawl 2	182909	Spring 3
182384	Lever 2	182812	Lever 2	182914	Bracket 3
182386	Lever 2	182813	Lever 2	182915	Extension 3
182387	Lever 2	182814	Lever 2	182925	Washer, Felt 2, 3
182388	Post 2	182815	Bracket 3	182936	Arm w/Bushing 2
182389	Lever 2	182816	Shaft 2	182966	Stud 4
182390	Link 2	182817	Post 4	182983	Block Assembly, Punch 3
182392	Post 2	182819	Post 4	182988	Spring, Punch Block 3
182393	Post 2	182820	Plate 4	184095	Spring 2
		182821	Post 3	184200	Bail 2
		182822	Plate 3	184283	Post, Guide 4
		182823	Post 2	185846	Post 2
		182826	Pawl w/Stud 4	185847	Post 3
		182827	Plate 2	199506	Gasket 3



33 COVER AND TABLE

PARTS

FIGURE	CONTENTS	PAGE
1	Printer Covers	2
2	Punch Cover and Base	3
3	Reader Cover and Base	4
4	Faceplates	5
5	Cover and Tape Storage Bin	6
6	Cabinet	7
7	Lid and Copyholder	8
8	183976 Adjustable Copyholder Assembly	9
9	182134, 182149 and 184194 Power Pack Assemblies	10
10	181720 Power Pack Assembly	10
11	184074 Outlet Box Assembly	11
12	183859 Modification Kit to Provide Paper Supply and Accumulating Shelf	12
	Numerical Index	13

PAINT FINISH COLOR CODE CHART									
(For parts and assemblies requiring a paint finish)									
COLOR	Finish Suffix				COLOR	Finish Suffix			
	Wrinkle Finish	Smooth Finish	Textured Vinyl	Smooth Vinyl		Wrinkle Finish	Smooth Finish	Textured Vinyl	Smooth Vinyl
Aluminum		FA			Gray, Dark Metallic		BW		
Aqua, Light				HK	Gray, Federal		BY	GG	
Beige		ET			Gray, Light		EJ		HB
Beige, Light		EL		HC	Gray, Light Olive		EW	GE	HF
Beige, Rose		ER			Gray, Maritime Engine		BY		
Black	AA		GK		Gray, Maritime Deck	AJ	BJ		
Black, High Gloss		BA			Gray, Medium		BS		
Black, Semi Gloss		BB			Gray, Oxford		EP		
Blue, Aqua		EK			Green, Gray	AB	BK	GA	
Blue, Brussels Light		EC			Green, Moss		EN		HD
Blue, Medium		ES			Ivory		EM		HJ
Brown, Dark	AD			HG	Pink, Rose		EU		
Brown, Light	AC				Red, Cherry		EF		
Brown, Mahogany		EQ			Turquoise		EV		
Fawn					White		EH		
Gray, Beige			GC		Yellow, Pastel		EG		
Gray, Charcoal	AL	BZ	GF	HA					
Gray, Dark			GB	HE					
Gray, Dark Cover		FC							

The double asterisk (**) denotes a painted part. Suffix to be applied following the part number.

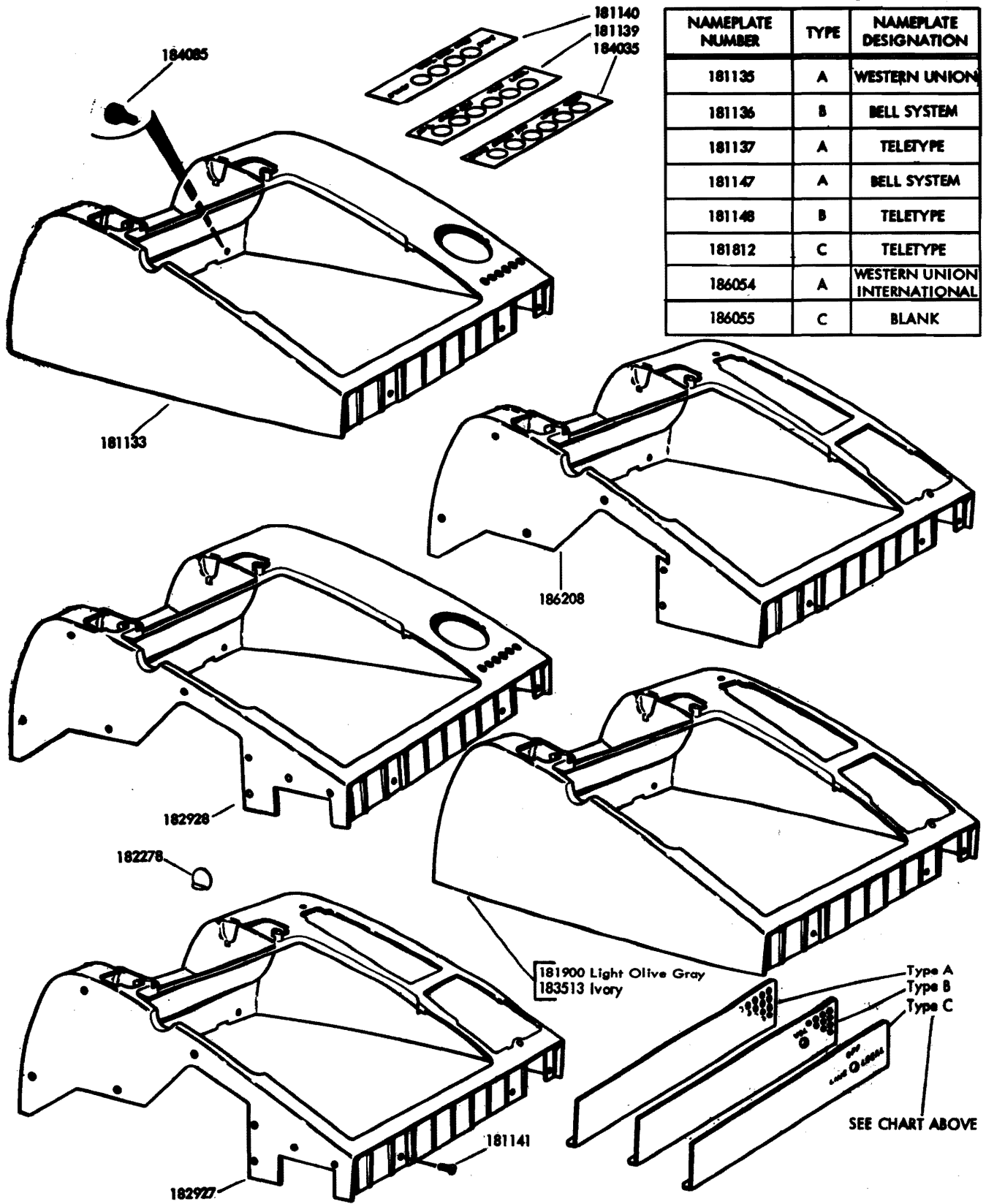
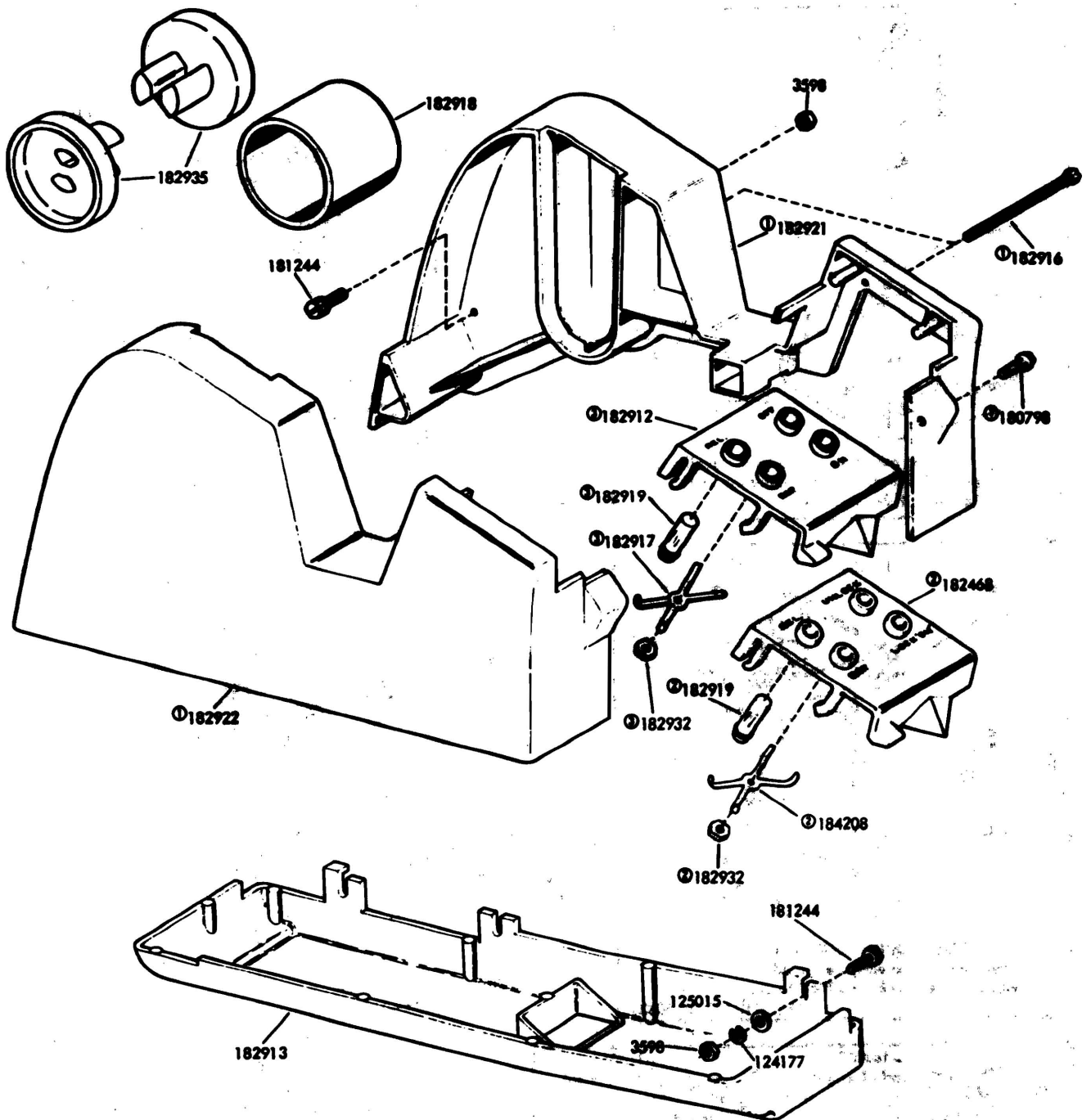
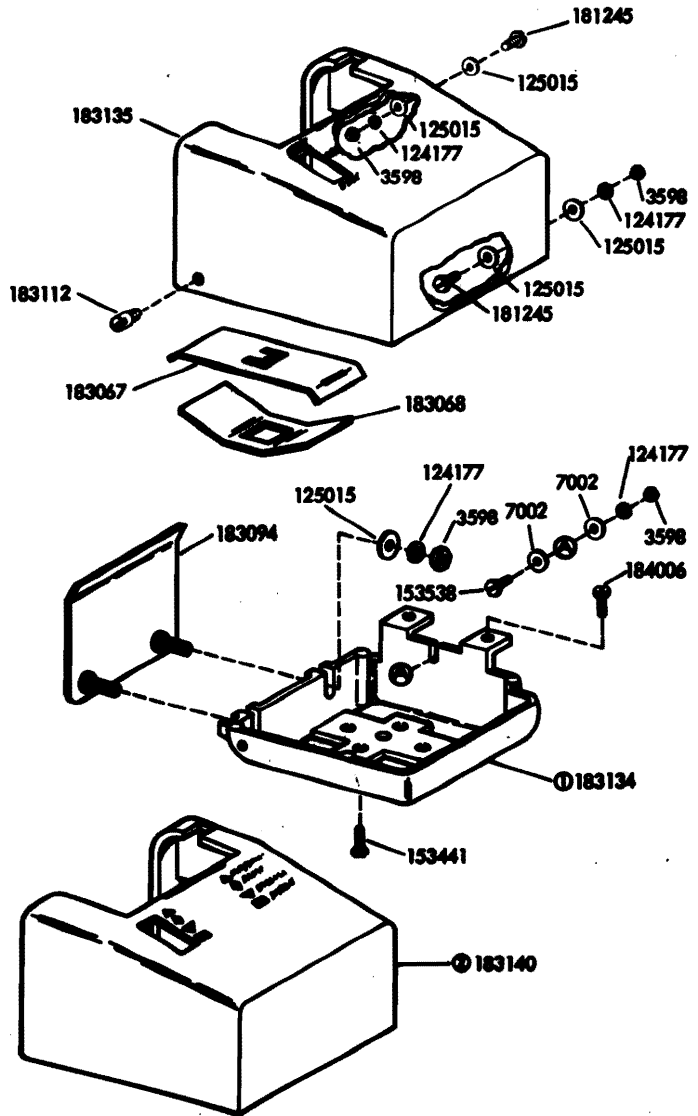
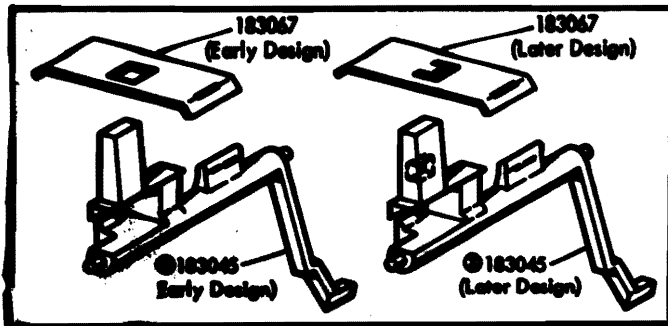
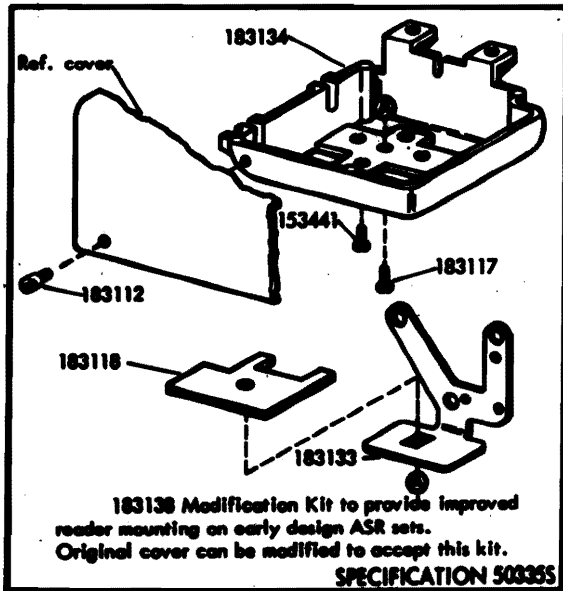
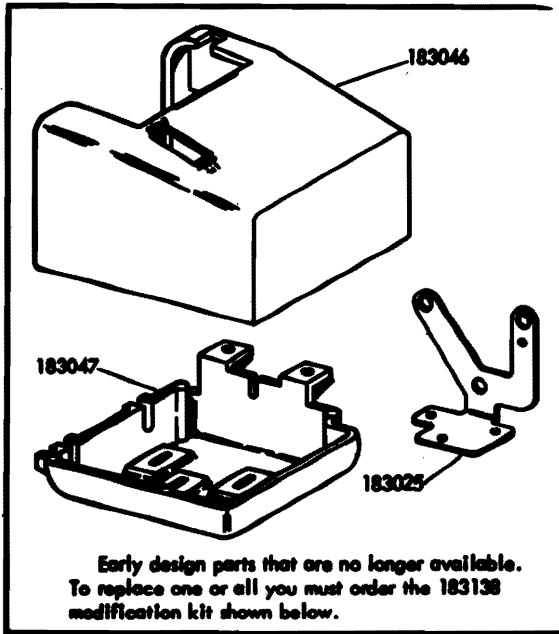


FIGURE 1. PRINTER COVERS



- ① Part of 182926
- ② Part of 184206 (For automatic On-Off control)
- ③ Part of 182109 (For manual On-Off control)

FIGURE 2. PUNCH COVER AND BASE

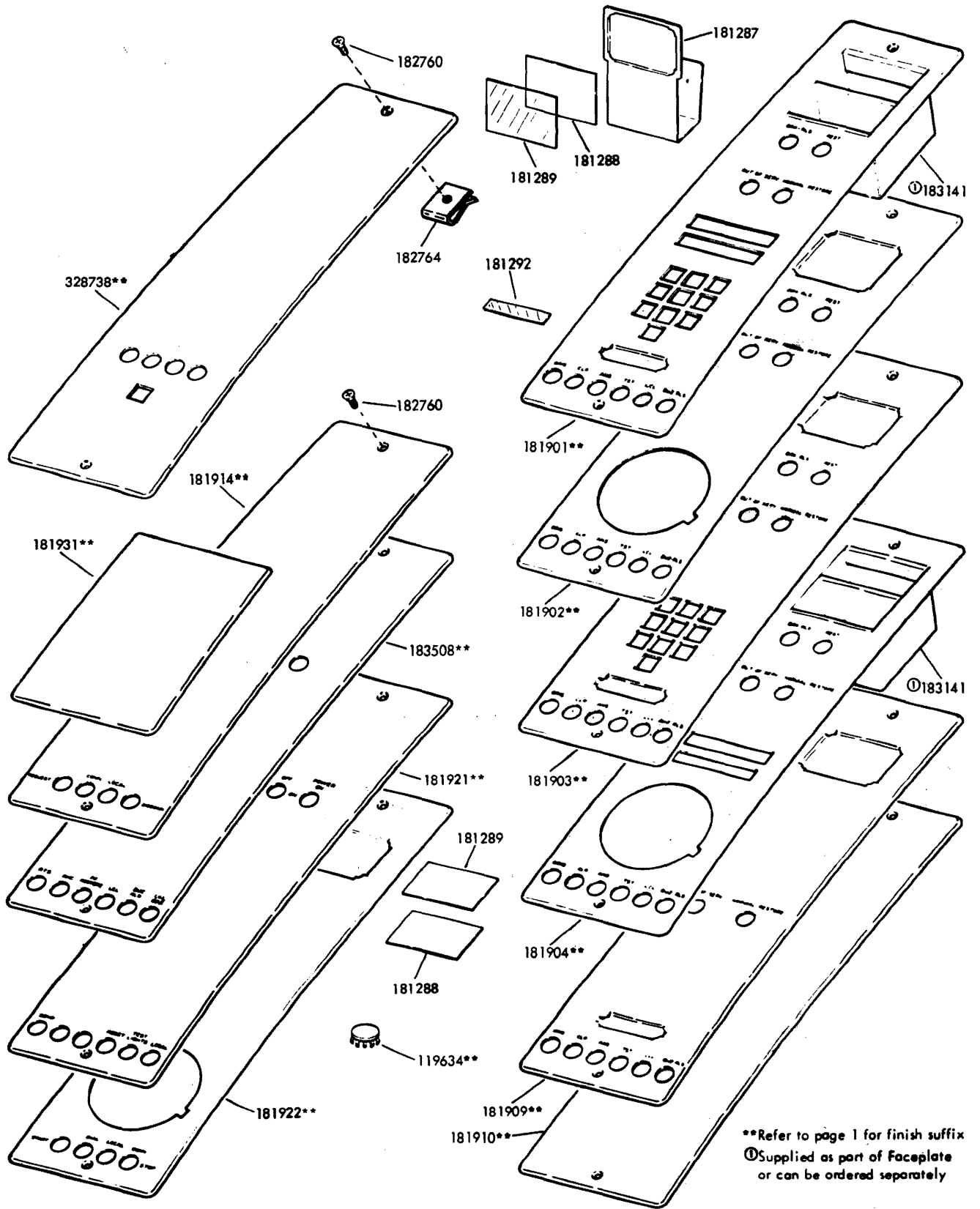


① A new 185700 laminated sheet steel base has been designed to replace the three individual castings mounting the typing unit with motor, keyboard and associated call control unit, the perforator, and the reader. However, the 183134 base (shown on this figure) is still available for replacement purposes

② Automatic reader control cover.

③ The 183067 shield and the 183045 start & stop lever have been redesigned but retain their original numbers. The new style lever can be used with the old style shield but the new style shield must be used with the new style lever

FIGURE 3. READER COVER AND BASE



**Refer to page 1 for finish suffix
 Ⓞ Supplied as part of Faceplate
 or can be ordered separately

FIGURE 4. FACEPLATES

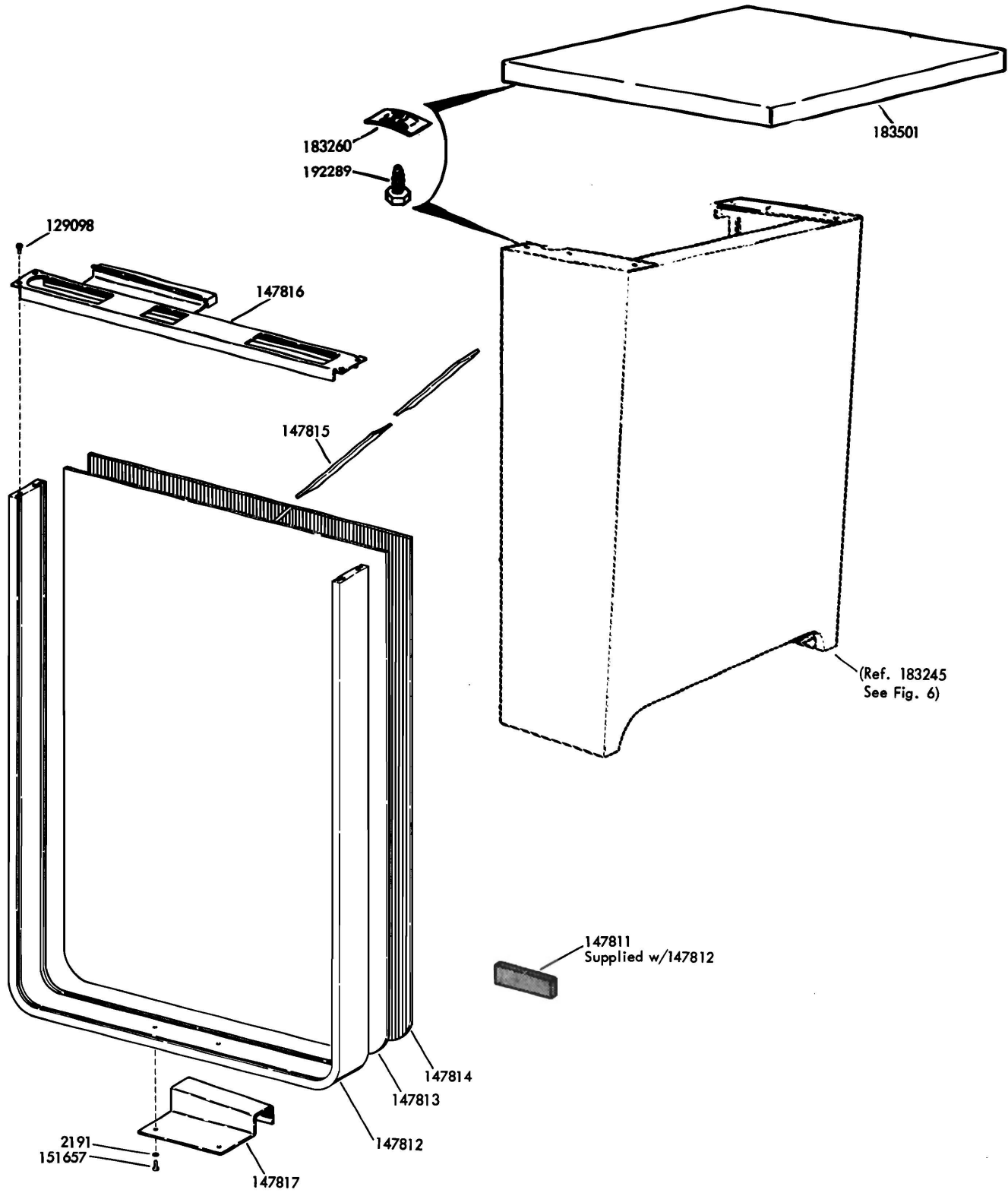


FIGURE 5. COVER AND TAPE STORAGE BIN

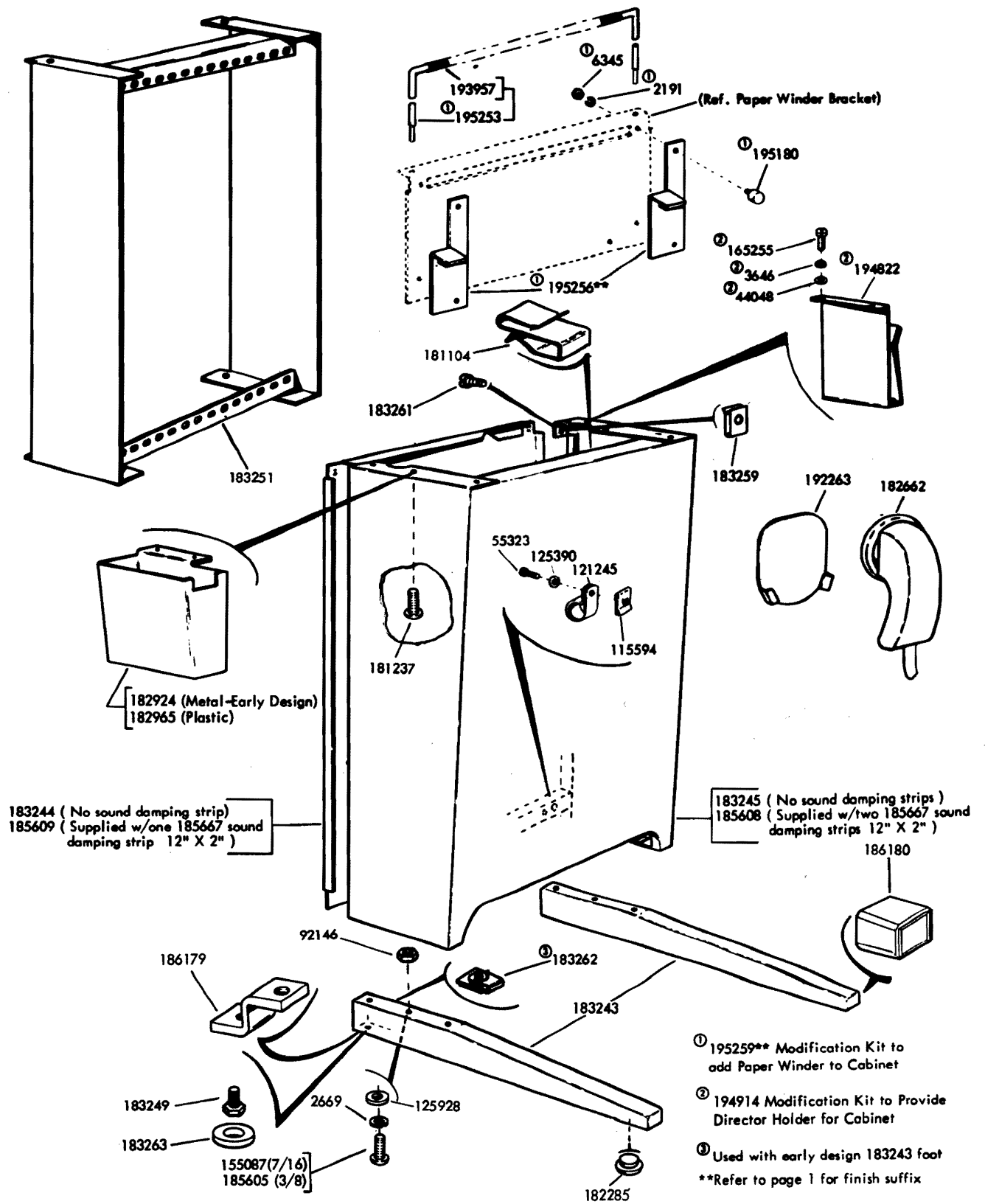


FIGURE 6. CABINET

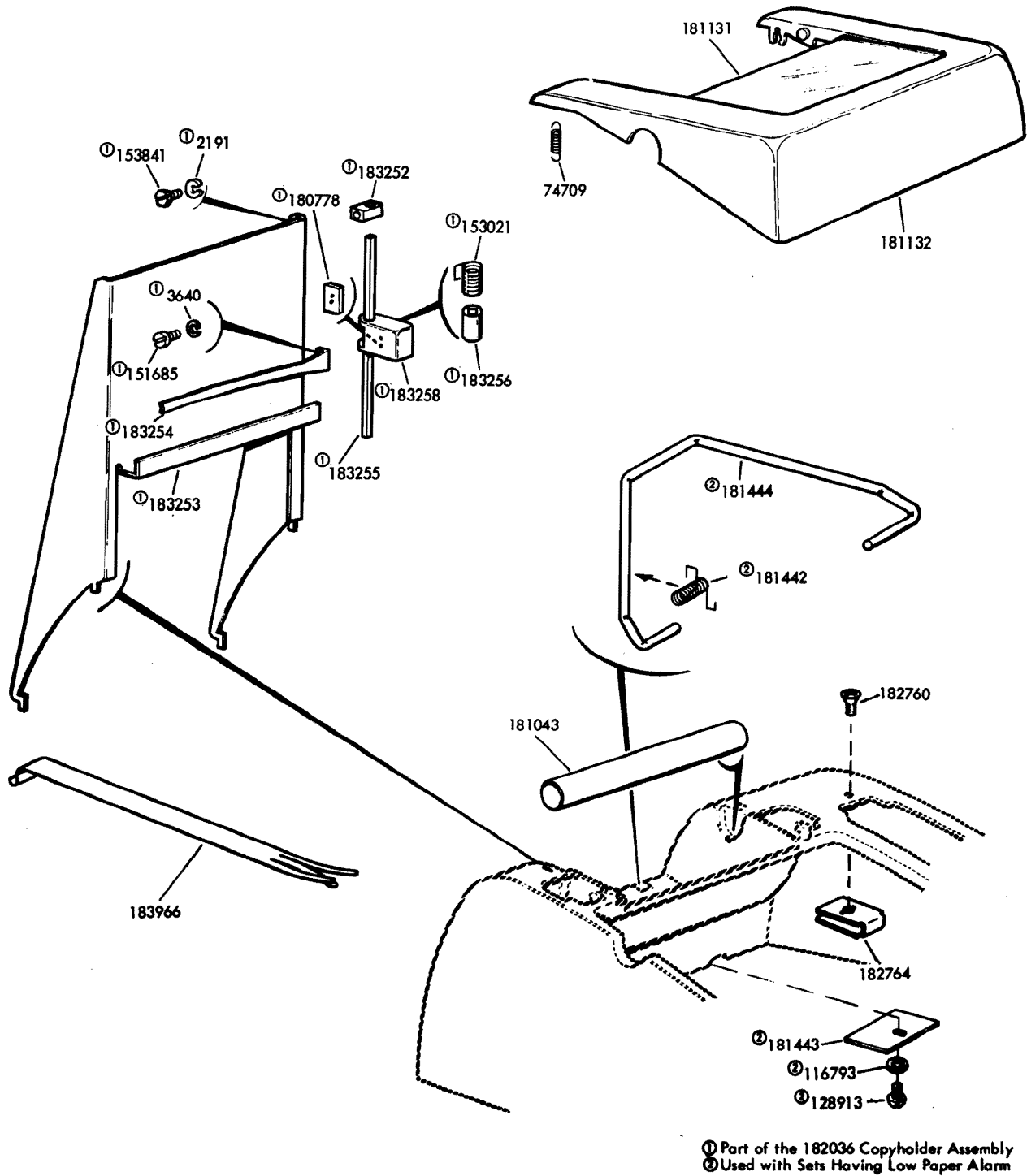


FIGURE 7. LID AND COPYHOLDER

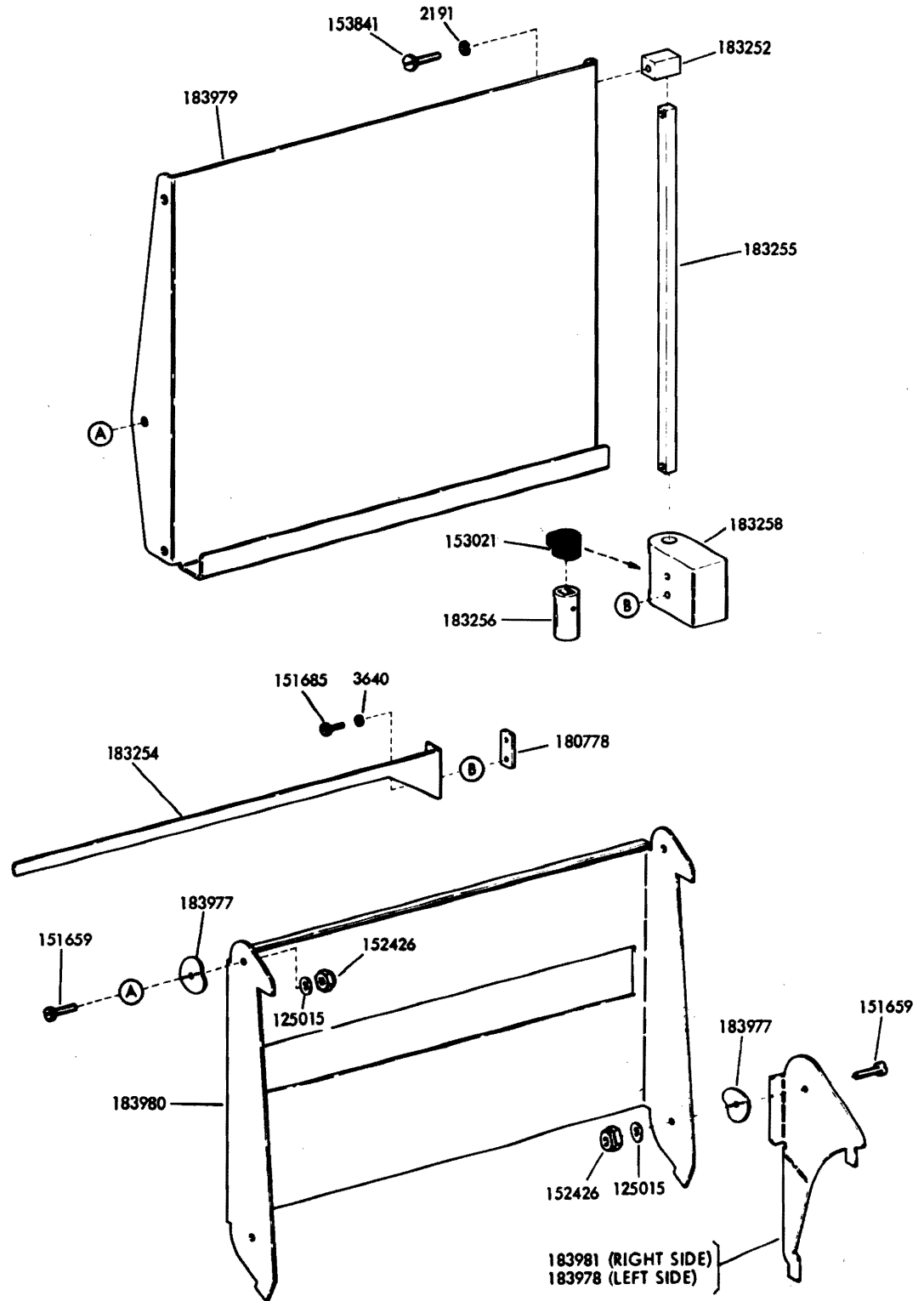


FIGURE 8. 183976 ADJUSTABLE COPYHOLDER ASSEMBLY

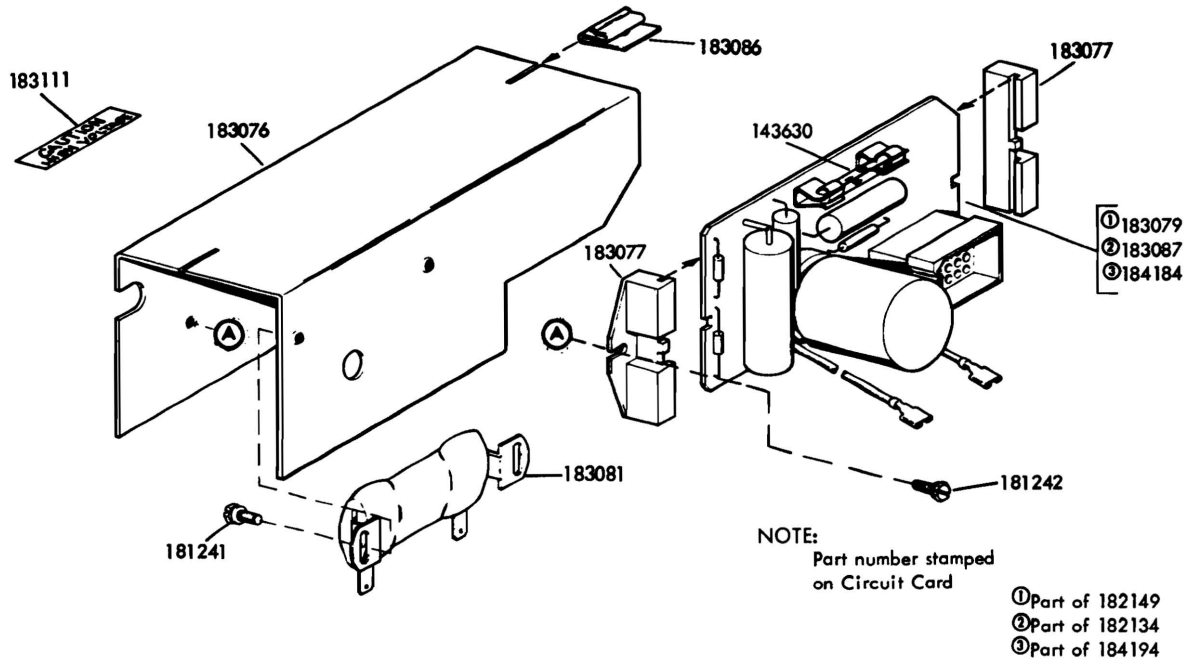


FIGURE 9. 182134, 182149 AND 184194 POWER PACK ASSEMBLIES

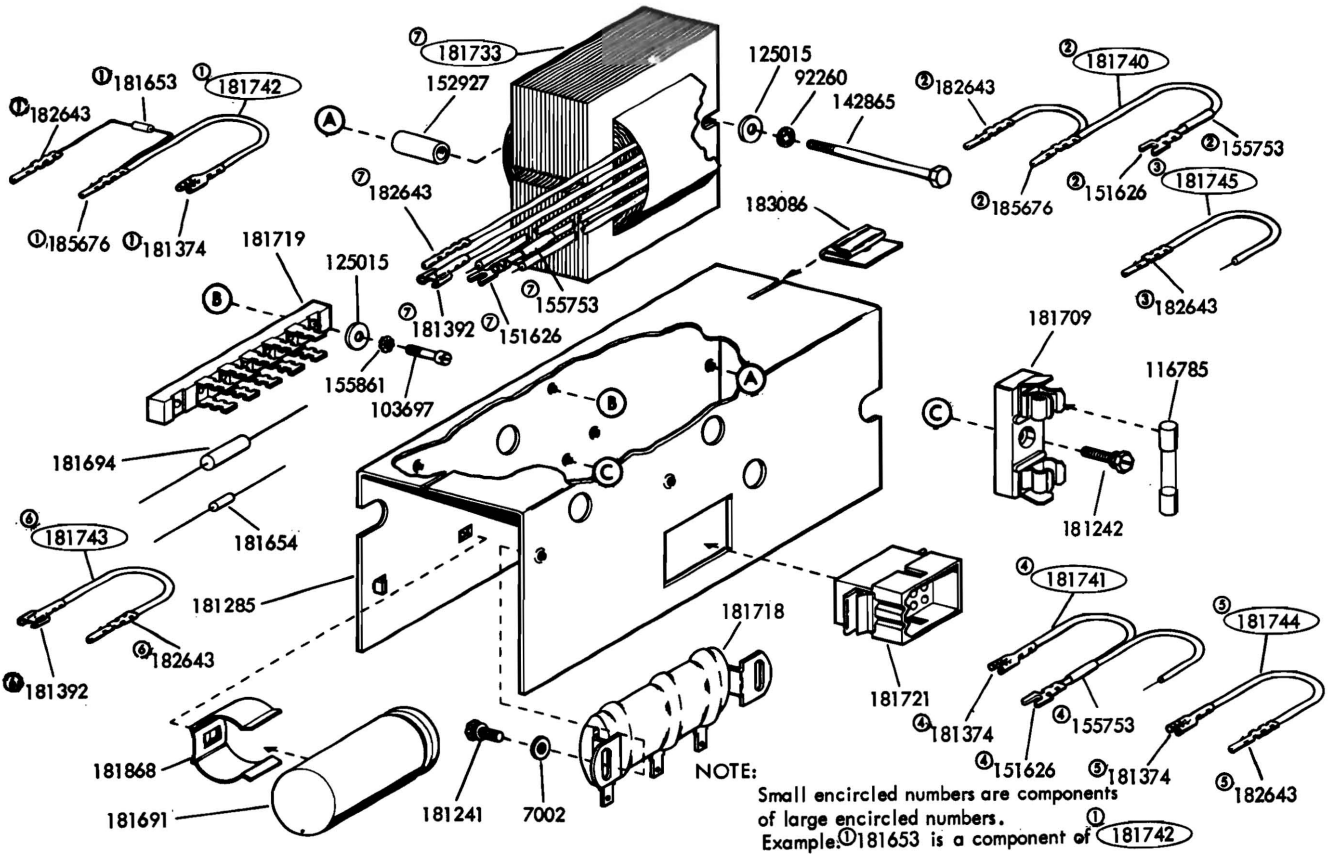
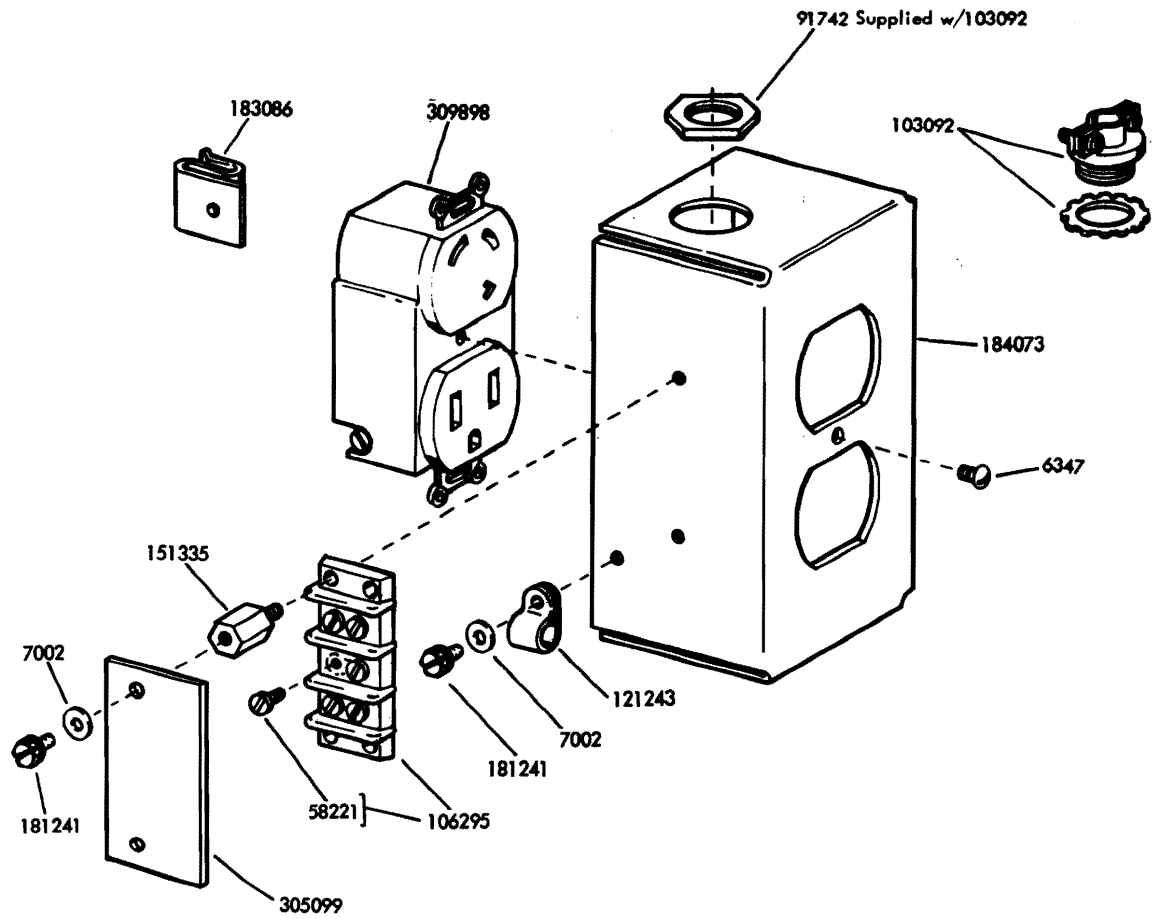
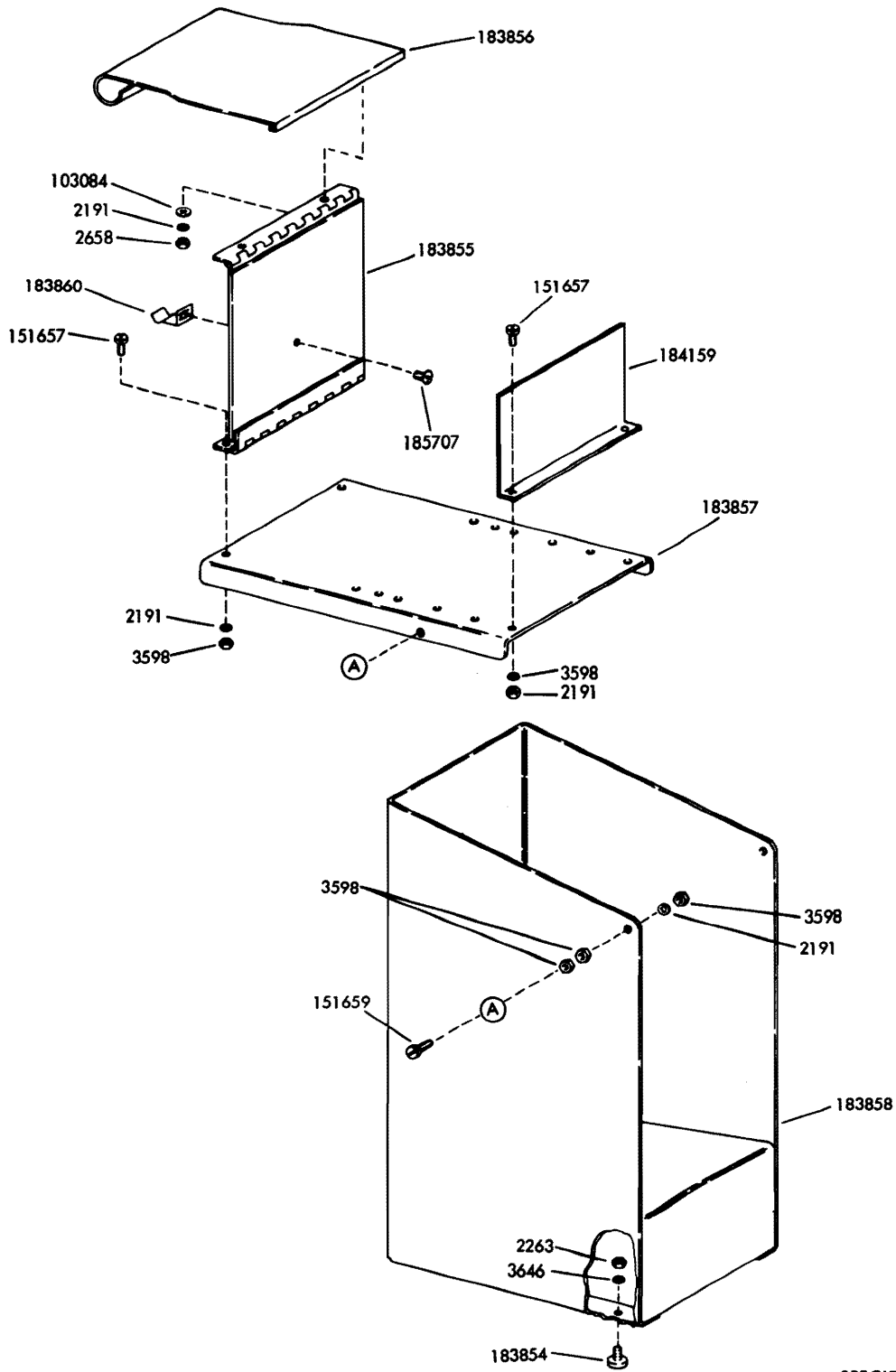


FIGURE 10. 181720 POWER PACK ASSEMBLY



Note:
The 184074 includes the
182510 Cord.

FIGURE 11. 184074 OUTLET BOX ASSEMBLY



SPECIFICATION 504335

FIGURE 12. 183859 MODIFICATION KIT TO PROVIDE PAPER SUPPLY AND ACCUMULATING SHELF

NUMERICAL INDEX

Part Number	Description and Page Number	Part Number	Description and Page Number	Part Number	Description and Page Number
2191	Washer, Lock 6 to 9, 12	181137	Plate, Name 2	182912	Lid 3
2263	Nut, 8-32 Hex 12	181139	Label, Designation(Bell) 2	182913	Base, Cover 3
2658	Nut, 6-32 Hex 12	181140	Label, Designation (W.U.) 2	182916	Screw, 8-32 x 2-9/16 Hex 3
2669	Washer, Lock 7	181141	Screw, 8-32 Spl 2	182917	Spring, Special 3
3598	Nut, 6-40 Hex 3, 4, 12	181147	Plate, Name 2	182918	Spindle 3
3640	Washer, Lock 8, 9	181148	Plate, Name 2	182919	Button 3
3646	Washer, Lock 7, 12	181237	Screw, 1/4-14 Self-Tapping 7	182921	Cover, Right 3
6345	Nut, 6-32 Hex 7	181241	Screw w/Lockwasher, 6-40 x 1/4 Hex 10, 11	182922	Cover, Left 3
6347	Screw, 6-32 x 3/8 Rd 11			182924	Box, Chad 7
7002	Washer, Flat 4, 10, 11	181242	Screw w/Lockwasher, 6-40 x 5/16 Hex 10	182926	Cover Assembly 3
44048	Washer, Flat 7	181244	Screw w/Lockwasher, 6-40 x 7/16 Hex 3	182927	Cover 2
55323	Screw, 8-32 x 1/2 Rd 7			182928	Cover 2
58221	Screw, 6-32 x 1/4 Fil 11	181245	Screw w/Lockwasher, 6-40 x 1/2 Hex 4	182932	Nut, Speed 3
74709	Spring 8			182935	Hub 3
91742	Nut, Lock 11	181285	Cover, Mounting 10	182965	Box, Chad 7
92146	Nut, 1/4-20 Hex 7	181287	Holder, Card 5	183025	Bracket 4
92260	Washer, Lock 10	181288	Label, White 5	183045	Lever, Start-Stop 4
103084	Washer, Flat 12	181289	Window, Plastic 5	183046	Cover 4
103092	Connector, Cord 11	181289	Window, Plastic 5	183047	Base 4
103697	Screw, 4-40 x 7/16 Fil 10	181292	Terminal, Tab Type 10	183067	Shield 4
106295	Block, Terminal 11	181374	Terminal, Tab Type 10	183068	Spring, Shield 4
115594	Nut, Speed 7	181392	Terminal, Tab Type 10	183076	Bracket, Rectifier 10
116785	Fuse, .3 Amp 10	181442	Spring, Torsion 8	183077	Clamp, Circuit Card 10
116793	Washer, Lock 8	181443	Plate, Clamp 8	183079	Card, Circuit 10
119634**	Button, Plug 5	181444	Rod, Sensing 8	183081	Resistor, 850 Ohm .10
121243	Clamp, 3/16" ID Cable 11	181653	Diode 10	183086	Clip 10, 11
121245	Clamp, 5/16" ID Cable 7	181654	Diode 10	183087	Card, Circuit 10
124177	Washer, Lock 3, 4	181691	Capacitor, 150 MFD 10	183094	Plate w/Studs 4
125015	Washer, Flat 3, 4, 9, 10	181694	Resistor, 120 Ohms 10	183111	Label 10
125390	Washer, Flat 7	181709	Holder, Fuse 10	183112	Screw, 4-40 x 9/64 Fil 4
125928	Washer, Flat 7	181718	Resistor, 2,000 - 10,000 Ohms 10	183117	Screw, 10-32 x 5/8 Hex 4
128913	Screw, 8-32 Self-Tapping 8	181719	Strip, Terminal 10	183118	Plate, Clamp 4
129098	Screw, 6-40 x 11/32 Flat 6	181720	Power Supply 1, 10	183133	Bracket 4
142865	Screw, 6-40 x 2-1/32 Hex 10	181721	Connector, 12 Pt Plug Type 10	183134	Base 4
143630	Fuse, .75 Amp 10	181733	Transformer 10	183135	Cover 4
147811	Spacer, .250" Thk 6	181740	Cable Assembly 10	183138	Modification Kit 4
147812	Frame, Tape Bin 6	181741	Cable Assembly 10	183140	Cover 4
147813	Window, Left Side 6	181742	Cable Assembly 10	183141	Holder, Card 5
147814	Window, Right Side 6	181743	Cable Assembly 10	183243	Foot w/Bumper 7
147815	Divider, Tape Bin 6	181744	Cable Assembly 10	183244	Panel 7
147816	Plate, Retaining 6	181745	Cable Assembly 10	183245	Cabinet, Lower 6, 7
147817	Guide, Tape Bin 6	181812	Plate, Name 2	183249	Screw, 5/16-18 Spl 7
151335	Stud 11	181868	Clip, Speed 10	183251	Rack 7
151626	Terminal 10	181900	Cover 2	183252	Post 8, 9
151657	Screw, 6-40 x 1/4 Fil 6, 12	181901**	Faceplate 5	183253	Copyholder 8
151659	Screw, 6-40 x 1/2 Fil 9, 12	181902**	Faceplate 5	183254	Guide, Line 8, 9
151685	Screw, 4-40 x 5/16 Fil 8, 9	181903**	Faceplate 5	183255	Shaft 8, 9
152426	Nut, 6-40 Self-Locking 9	181904**	Faceplate 5	183256	Bushing 8, 9
152927	Bushing 10	181909**	Faceplate 5	183258	Handle, Copyholder 8, 9
153021	Spring, Torsion 8, 9	181910**	Faceplate 5	183259	Nut, Speed 7
153441	Screw, 10-32 x 7/16 Hex 4	181914**	Faceplate 5	183260	Nut, Speed 6
153538	Screw, 6-40 x 7/16 Hex 4	181921**	Faceplate 5	183261	Screw, #8 Self-Tapping 7
153841	Screw, 6-40 x 9/16 Hex 8, 9	181922**	Faceplate 5	183262	Retainer, Nut 7
155087	Screw, 1/4-20 x 7/16 Rd 7	181931**	Faceplate 5	183263	Cap. Light Gray 7
155753	Sleeve, 1/8 ID x 1/2" Lg Insulating 10	182036	Copyholder Assembly 8	183501	Cover, Stand 6
155861	Washer, Lock 10	182109	Lid Assembly 3	183508**	Faceplate 5
165255	Screw, #8 Spl 7	182134	Power Pack 1, 10	183513	Cover 2
180778	Plate 8, 9	182149	Power Pack 1, 10	183854	Foot 12
180798	Screw, 8-32 Self-Tapping 3	182278	Support 2	183855	Plate w/Hinges 12
181043	Spindle, Paper Roll 8	182285	Bumper, Rubber 7	183856	Guide, Paper 12
181104	Clip, Cable 7	182468	Lid 3	183857	Shelf, Paper 12
181131	Window, Lid 8	182510	Cord, Power 11	183858	Bin, Paper Supply 12
181132	Lid w/Window 8	182643	Terminal, Plug Type 10	183859	Modification Kit 1, 12
181133	Cover 2	182662	Receiver 7	183860	Clip, Spring 12
181135	Plate, Name 2	182760	Screw, 6-32 Spl 5, 8	183966	Deflector, Paper 8
181136	Plate, Name 2	182764	Nut, Speed 5,8	183976	Copyholder Assembly 1, 9
				183977	Washer, Spring 9

**Refer to page 1 for finish suffix

NUMERICAL INDEX

Part Number	Description and Page Number	Part Number	Description and Page Number	Part Number	Description and Page Number
183978	Bracket, Left 9	184206	Lid Assembly 3	192263	Holder, Handset 7
183979	Copyholder 9	184208	Spring 3	192289	Screw, 1/4-14 Self-Tapping 6
183980	Link 9	185605	Screw, 1/4-14 Self-Tapping 7	193957	Spring, Roller 7
183981	Bracket, Right 9	185608	Cabinet 7	194822	Holder, Directory 7
184006	Screw, 8-32 Self-Tapping 4	185609	Panel 7	194914	Modification Kit 7
184035	Label, Designation 2	185667	Strip, Damping 7	195180	Bumper, Rubber 7
184073	Bracket, Outlet 11	185676	Terminal, Plug Type 10	195253	Rack Assembly, Display 7
184074	Box Assembly, Outlet 1, 11	185700	Base 4	195256**	Hanger 7
184085	Screw, 8-32 Thumb 2	185707	Screw, 10-24 x 5/16 Rd 12	195259**	Modification Kit 7
184159	Bracket, Back Stop 12	186054	Plate, Name 2	305099	Cover, Insulating 11
184184	Card, Circuit 10	186055	Plate, Name 2	309898	Outlet, Duplex 11
184194	Power Pack 1, 10	186179	Bracket 7	328738**	Faceplate 5
		186180	Bumper, Rubber 7		
		186208	Cover 2		

**Refer to page 1 for finish suffix



