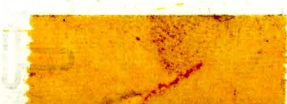
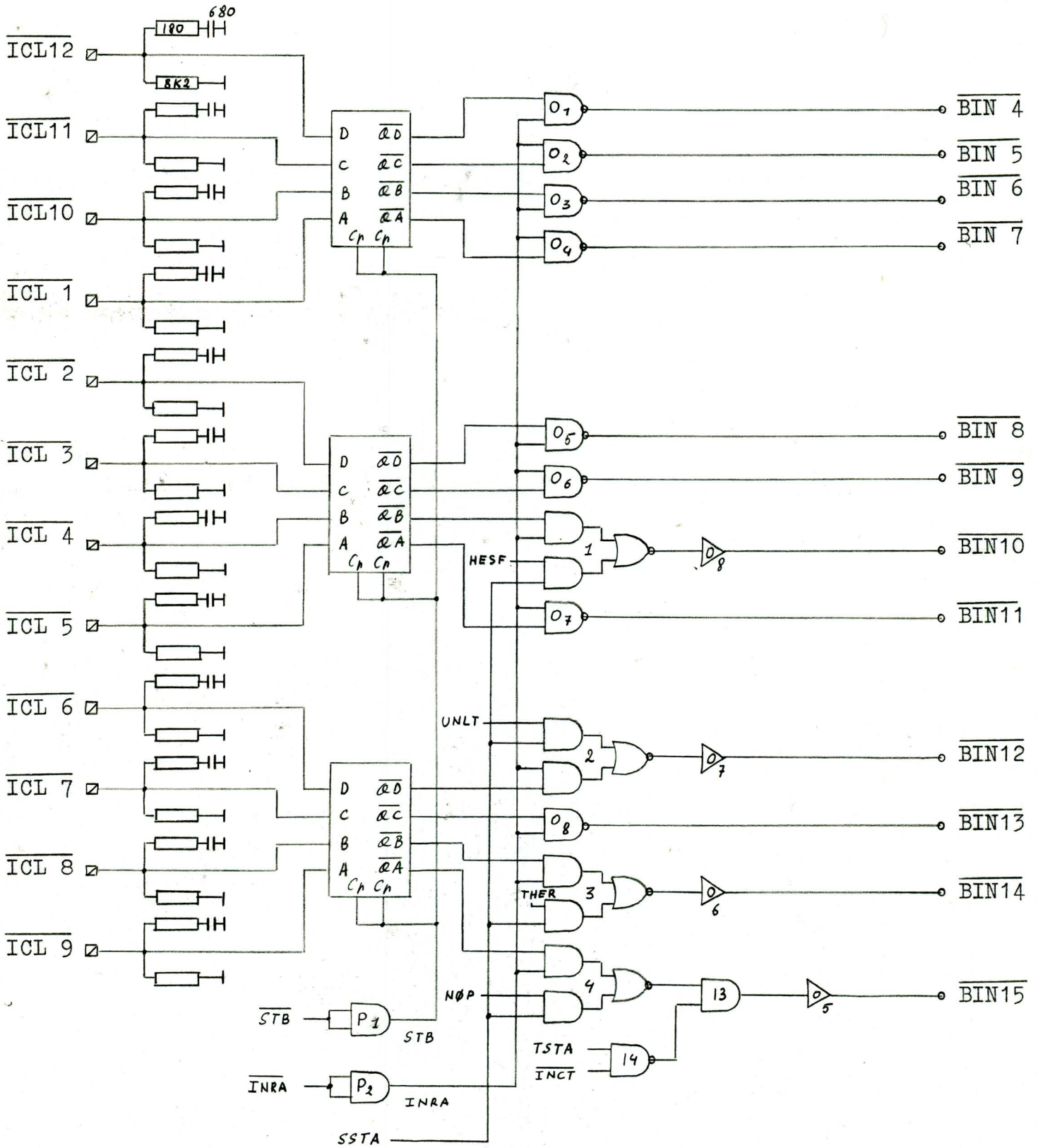




DIGIDATA INC.

SUBSIDIARY OF
DIGI CY. INC.





DATA INC
INT/P860-6042
Cardreader INT. Logic



DIGIDATA INC.

SUBSIDIARY OF
DIGI CY. INC.

CARD READER OUTPUT SIGNAL LINES

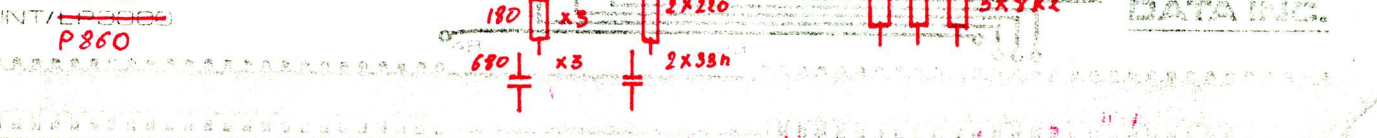
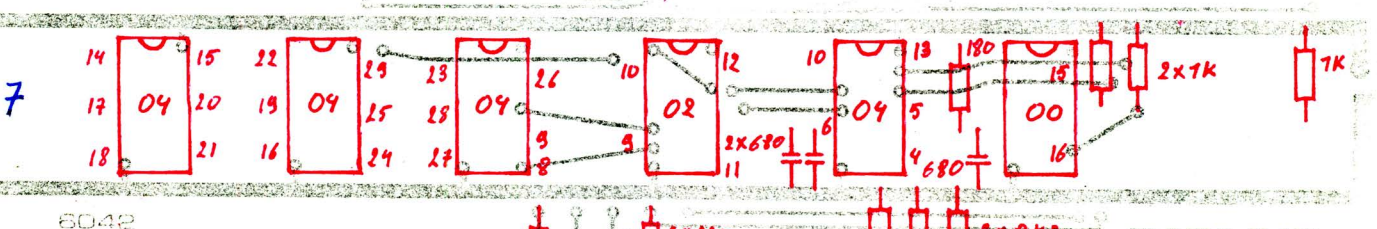
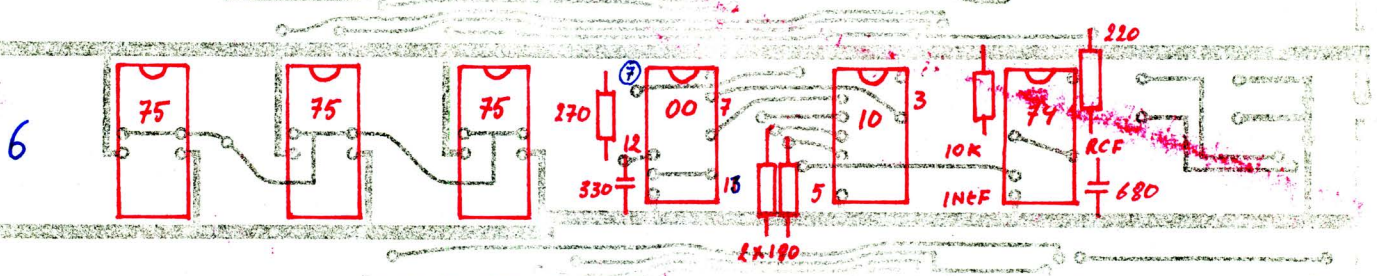
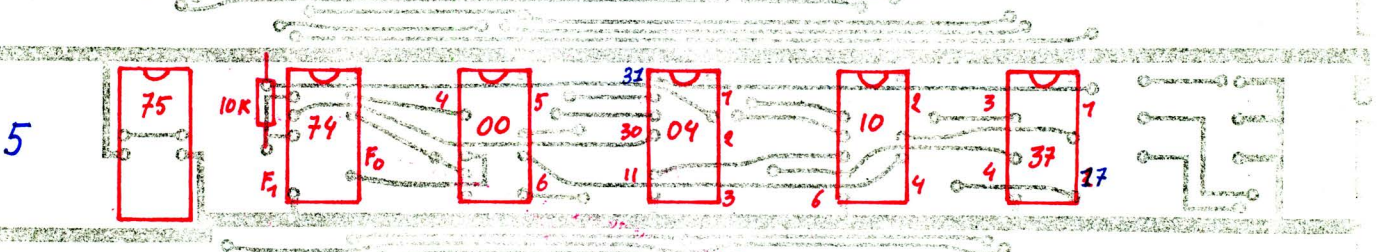
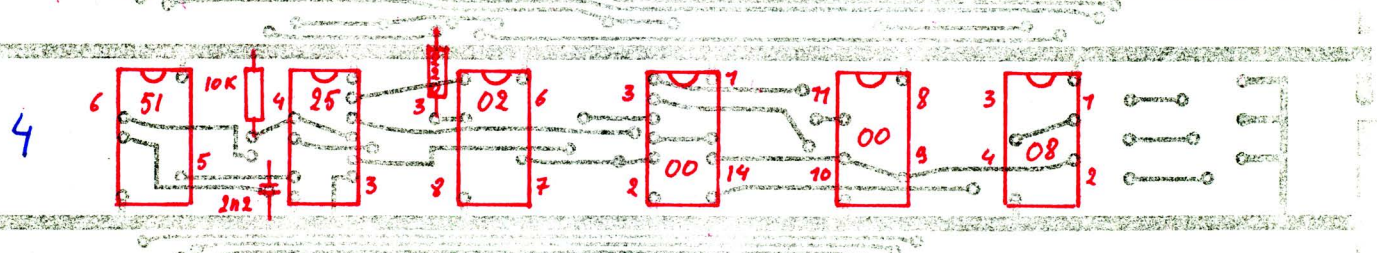
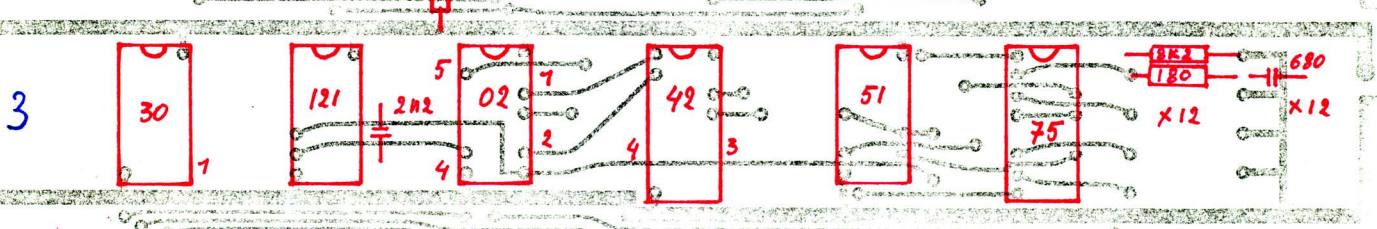
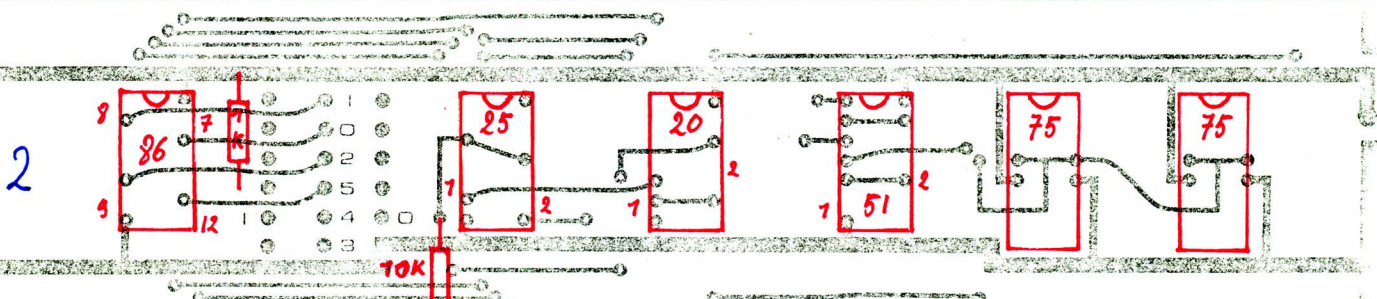
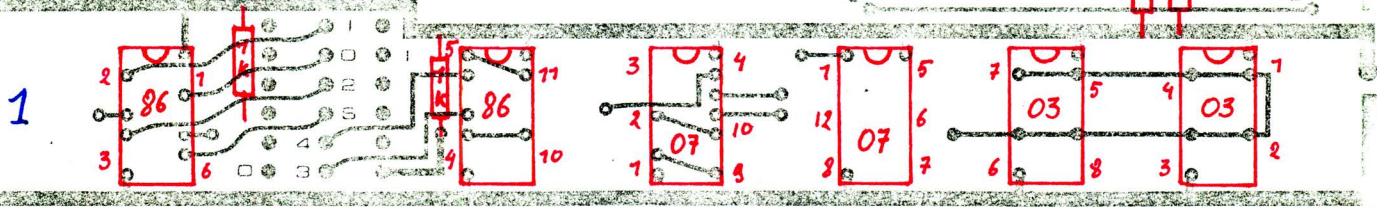
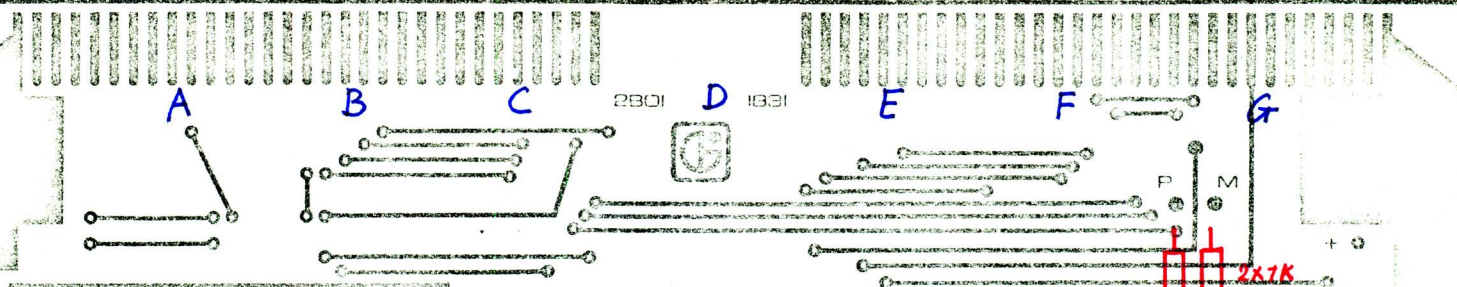
Connector Pin CPU	Signal Name	Connector Pin J07		Mnemonic
		Signal	Ret	
3A01				
3A02				
3A03				
3A04				
3A05				
3A06				
3A07	Pick Fail	32	37	<u>IPF</u>
3A08				
3A09	Read Trouble	25	30	<u>ITR</u>
3A10				
3A11	Card in Reader	44	49	<u>ICIR</u>
3A12				
3A13	Interface Ready	24	29	<u>IRDYG</u>
3A14	Hopper Empty Stacter Full	31	36	<u>IHESF</u>
3A15	Data Strobe	23	28	<u>IDS</u>
3A16				
3A17				
3A18	Channel Data	22	27	<u>ICL 9</u>
3A19	-	21	26	<u>ICL 8</u>
3A20	-	12	17	<u>ICL 4</u>
3A21	-	14	19	<u>ICL 6</u>
3A22	-	13	18	<u>ICL 5</u>
3A23	-	5	10	<u>ICL 2</u>
3A24	-	15	20	<u>ICL 7</u>
3A25	-	11	16	<u>ICL 3</u>
3A26	-	4	9	<u>ICL 1</u>
3A27	-	1	6	<u>ICL12</u>
3A28	-	2	7	<u>ICL11</u>
3A29	-	3	8	<u>ICL10</u>
3A30	Road Command	42	47	<u>IRC</u>
3A31	VCC CPU			+ 5 V

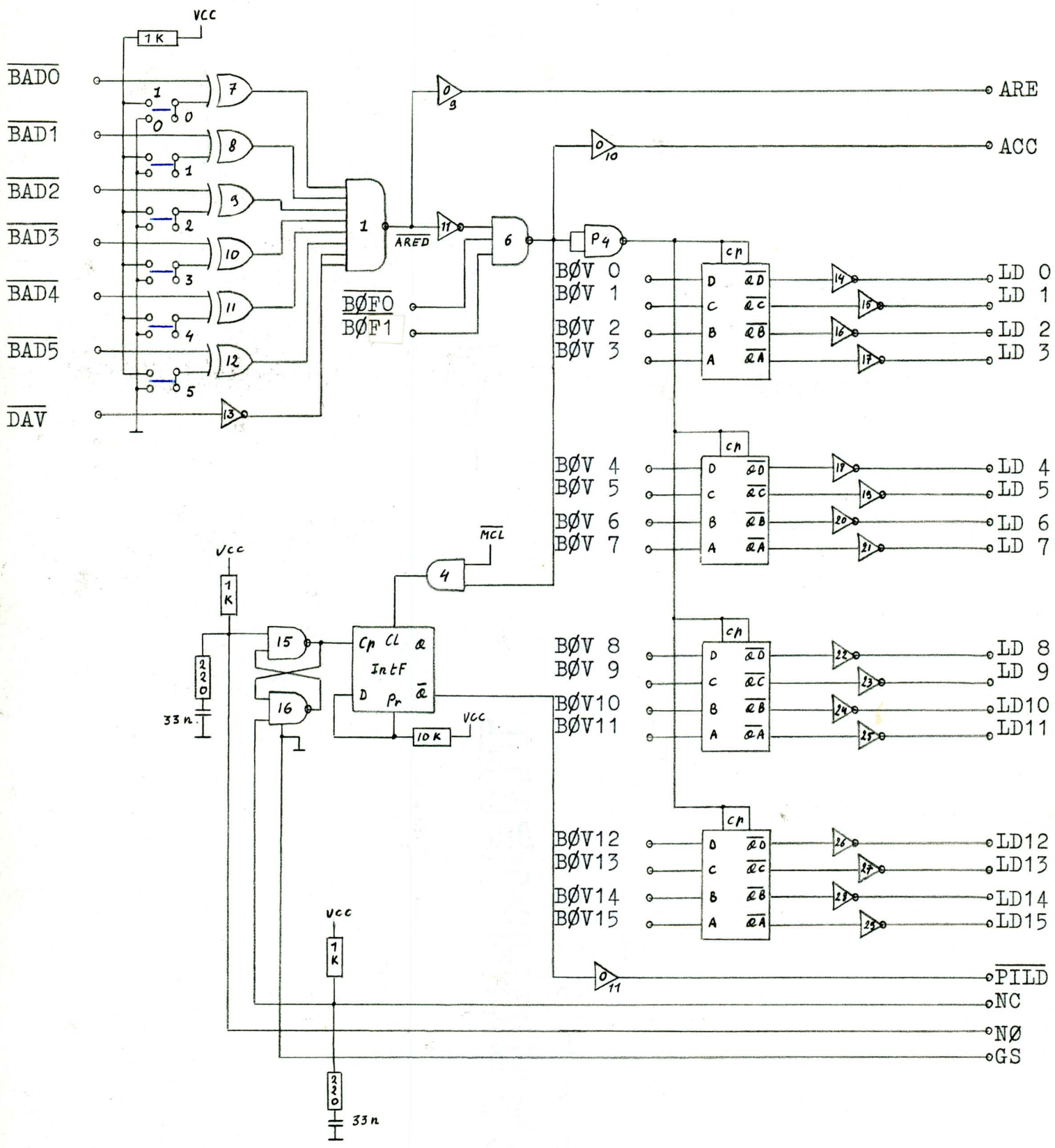
3B01 --- 3B31 = GND = Ret



DIGIDATA INC.

SUBSIDIARY OF
DIGI CY. INC.





DATA INC
INT/P860-6042
Display Logic



DIGIDATA INC.

SUBSIDIARY OF
DIGI CY. INC.

JOBS FOR BUSINESS

HO

DISPLAY INPUT SIGNAL LINES

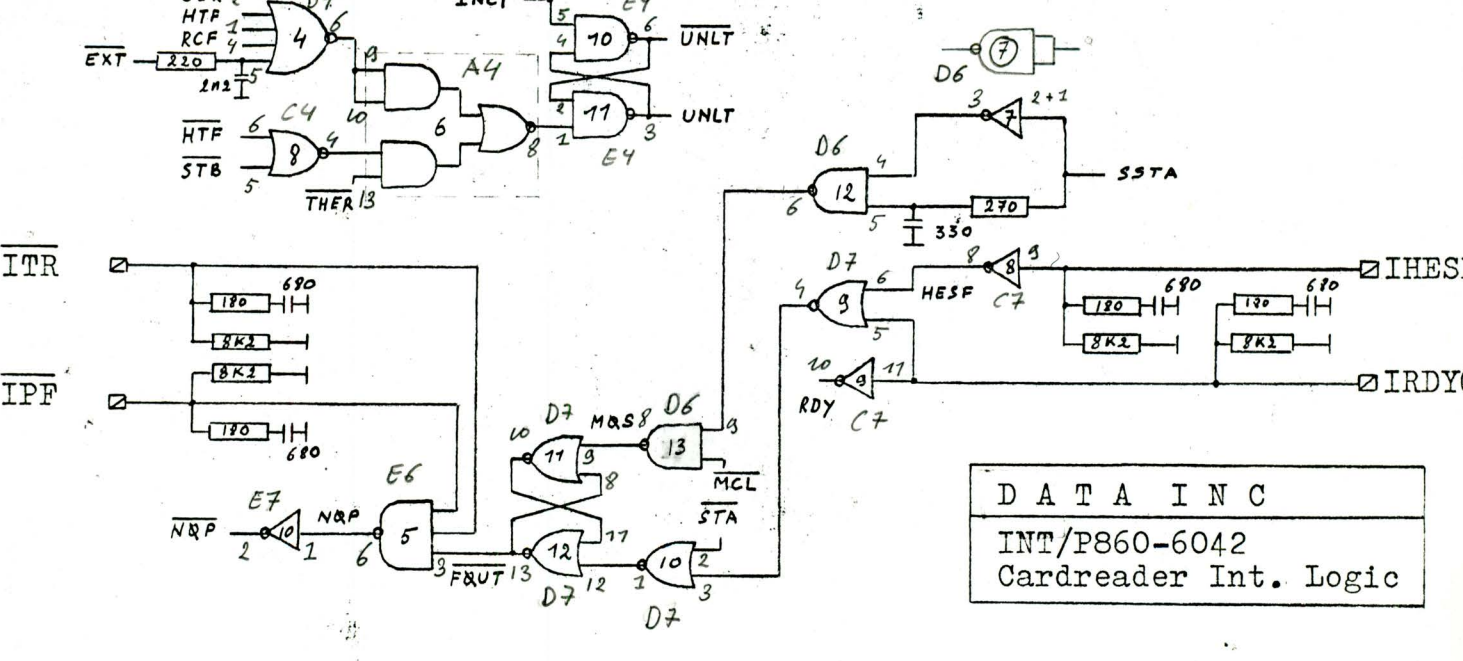
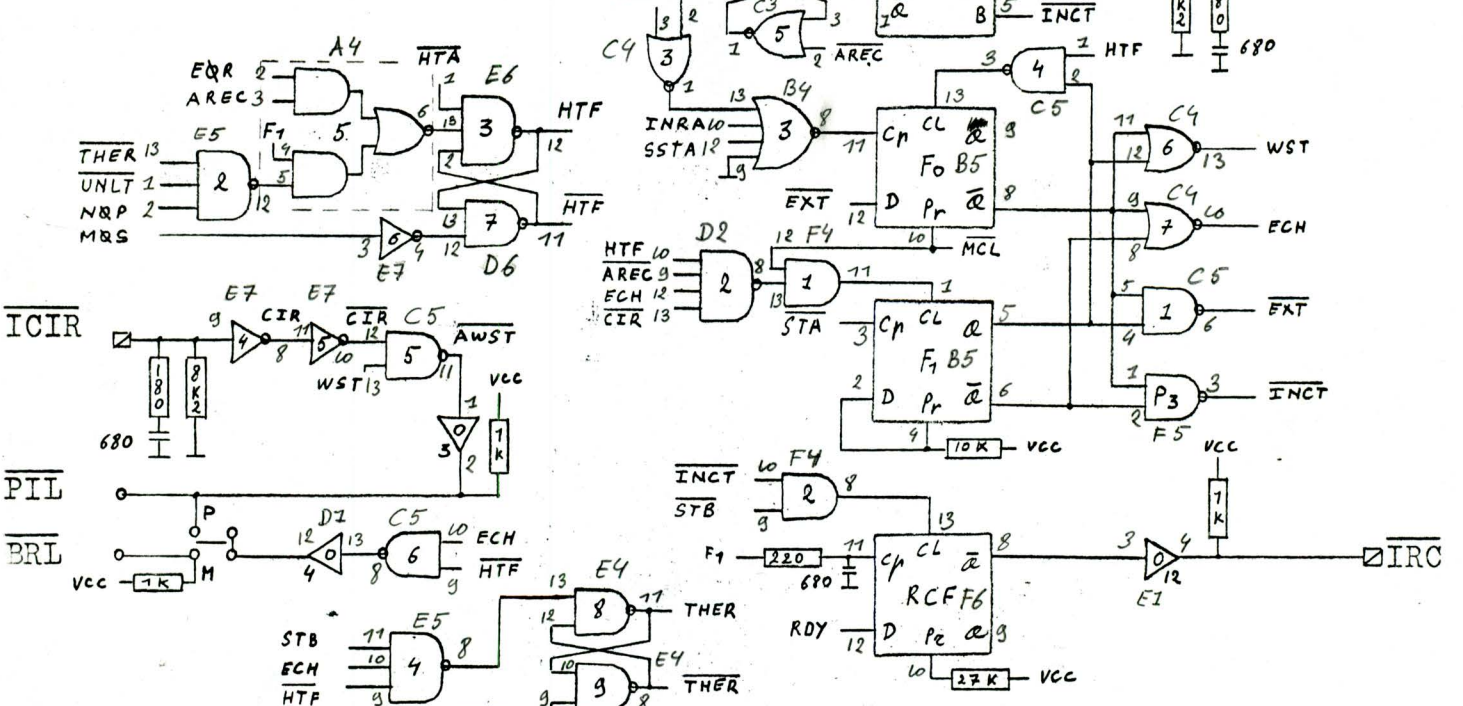
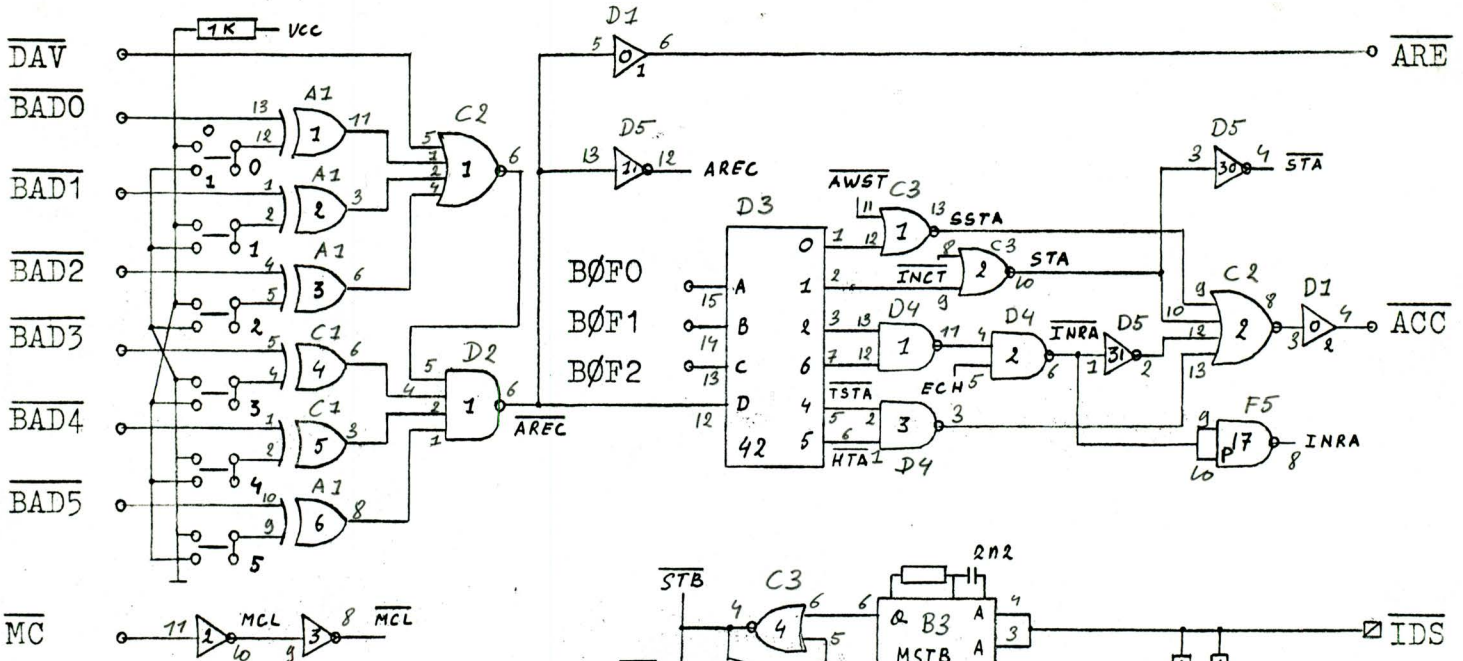
Connector Pin CPU	Mnemonic	Connector Pin Display
4A01	VCC CPU / + 5V	
4A02		
4A03		
4A04		
4A05	LD 0	1
4A06	LD 3	4
4A07	LD 4	5
4A08	LD 7	8
4A09	LD 6	7
4A10	LD 1	2
4A11	LD 2	3
4A12	LD 5	6
4A13	LD 8	9
4A14	LD 10	11
4A15	LD 11	12
4A16	LD 15	16
4A17	LD 9	10
4A18	LD 14	15
4A19	LD 13	14
4A20	LD 12	13
4A21	NO	47
4A22	NC	50
4A23		
4A24		
4A25	GND NC	49
	NO	48

4B01 --- 4B25 = GND = 34 --- 38

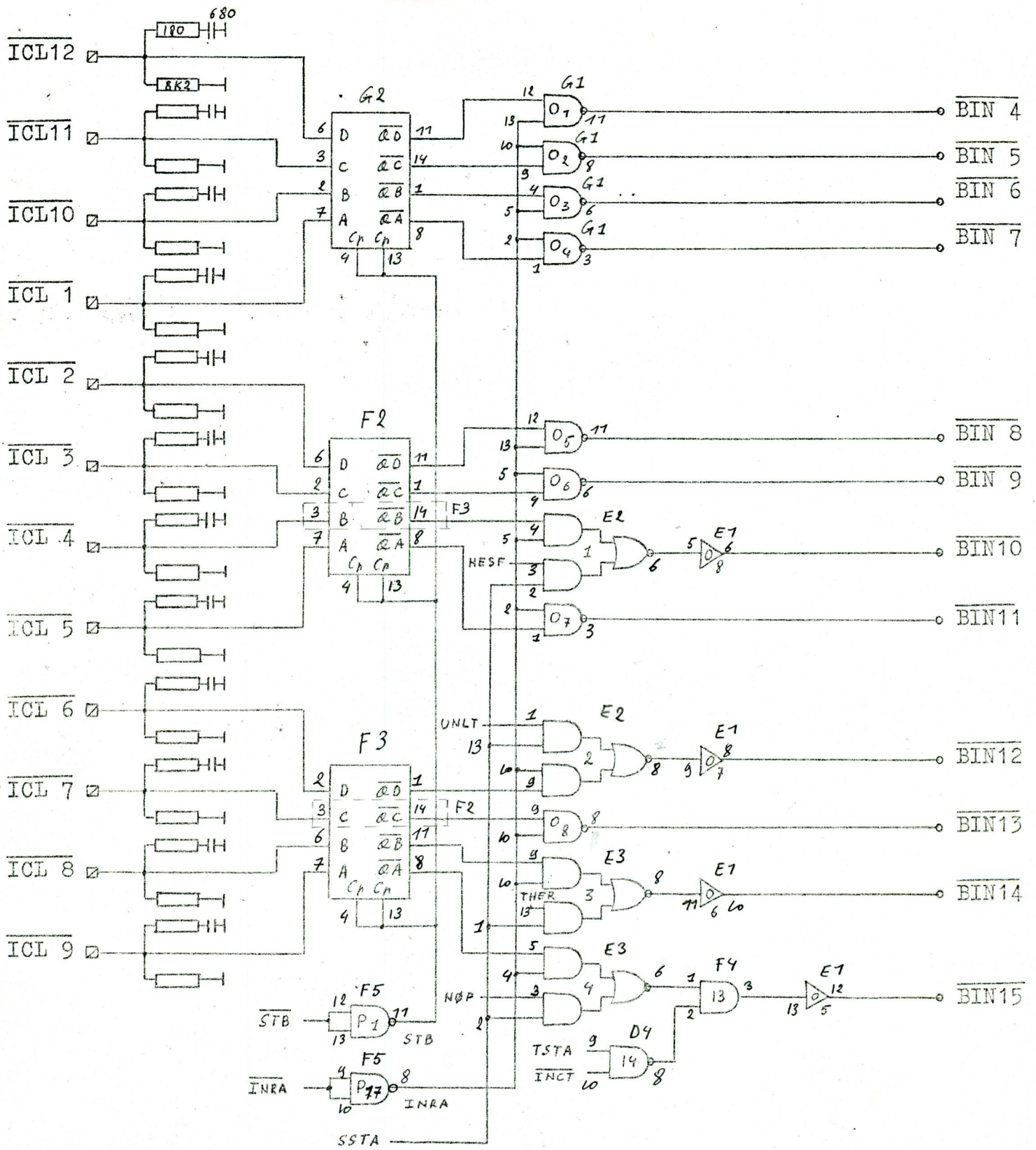


DIGIDATA INC.

SUBSIDIARY OF
DIGI CY. INC.



DATA INC
 INT/P860-6042
 Cardreader Int. Logic



DATA INC
INT/P860-6042
Cardreader INT. Logic