



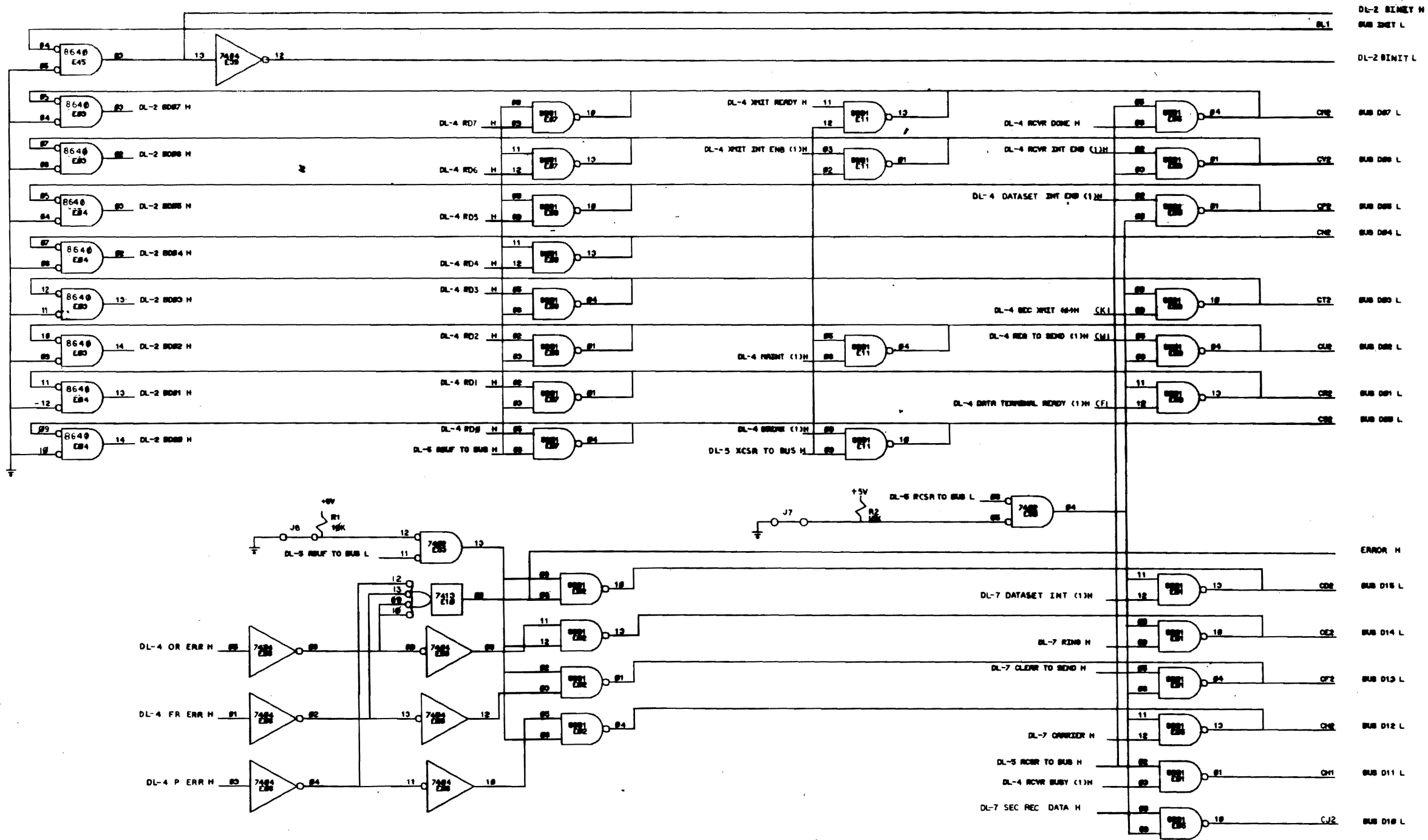
As shown and specifications herein, and the copy of the Bill of Materials and other data for the parts for the manufacture of this or other similar units.

D

C

B

A

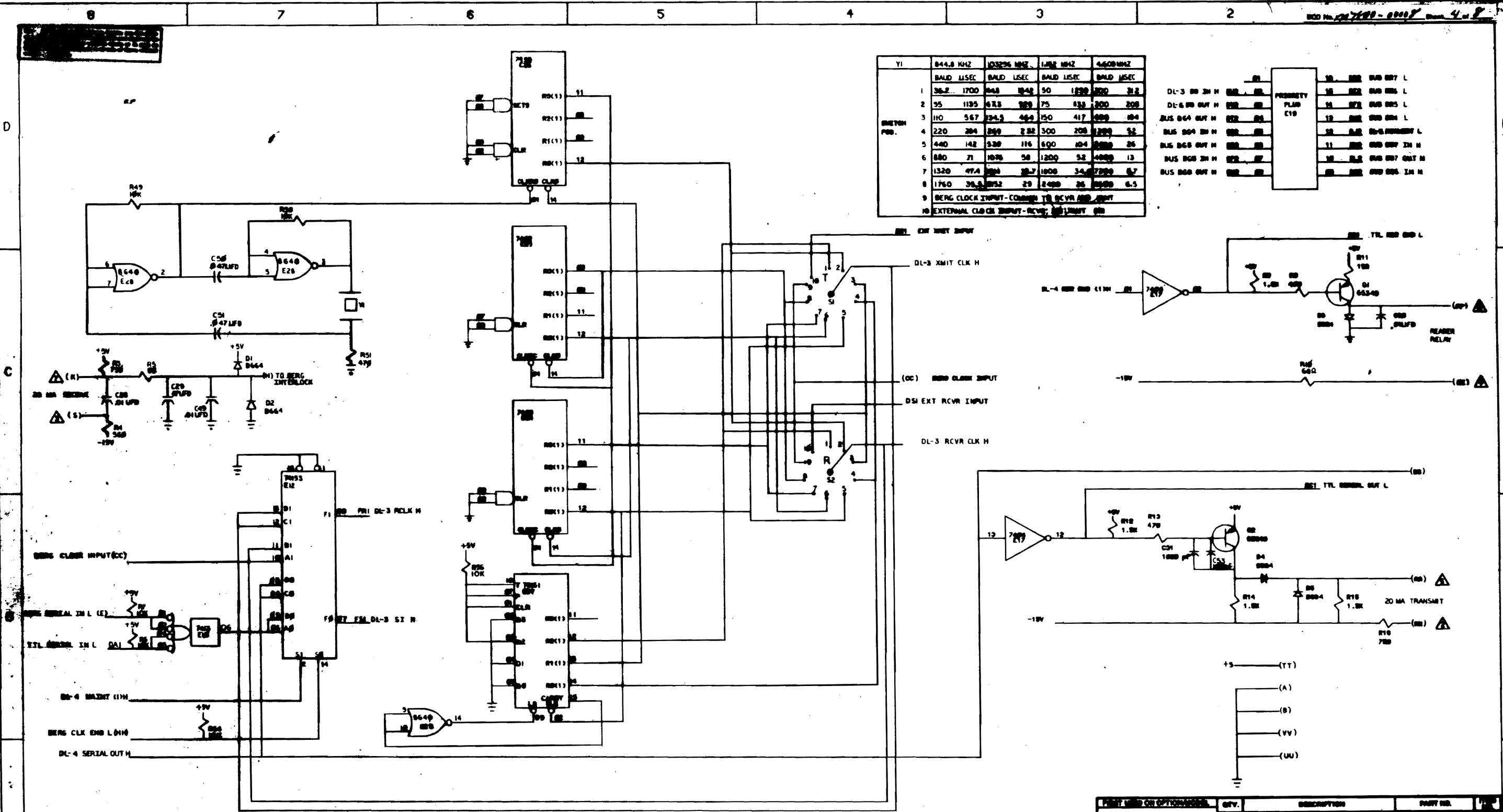
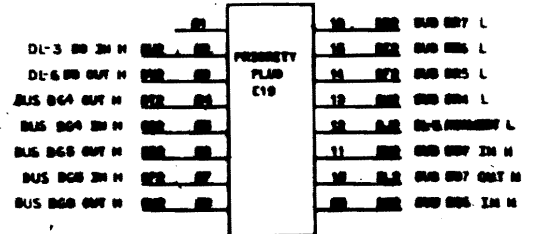


REVISIONS	
CHK.	REV.

FIRST USED ON OPTIMIZATION	QTY.	DESCRIPTION	PART NO.	REV.
DL11				
UNLESS OTHERWISE SPECIFIED DIMENSIONS IN INCHES TOLERANCES				
DECIMALS	ANGLES	EQUIPMENT CORPORATION		
.XXX - .000	±0° 30'	TITLE ASYNCHRONOUS LINE INTERFACE (BUS RECEIVERS & DRIVERS) DL-2		
RESERVE SURFS AND BREAK SHARP CORNERS SURFACE QUALITY				
MATERIAL				
FINISH				
DCS		M7800-0-1		K

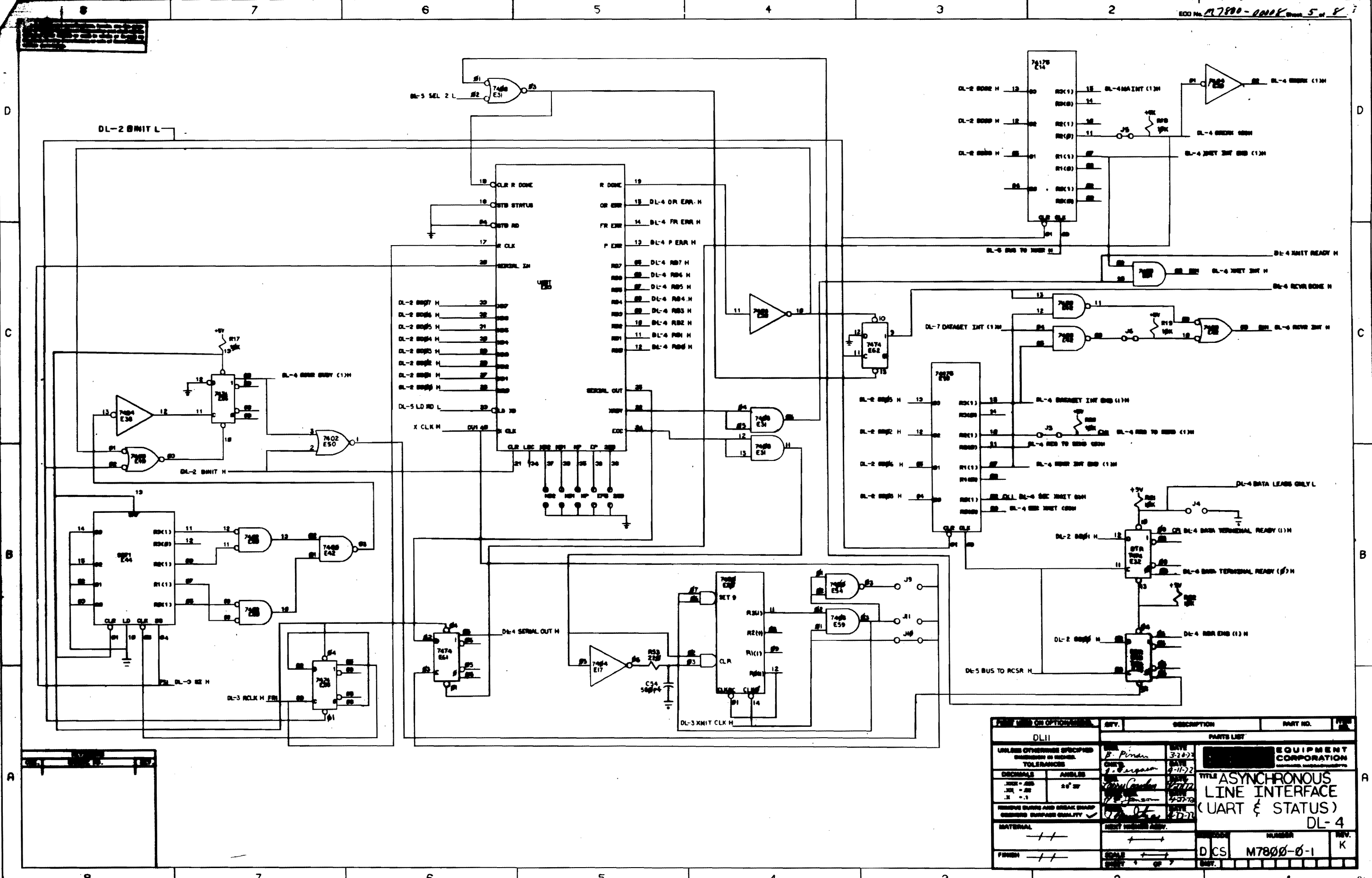
pink

Y1	844.8 KHZ	10326 KHZ	1482 KHZ	4400 KHZ
	BAUD USEC	BAUD USEC	BAUD USEC	BAUD USEC
1	36.2 1700	64.8 1542	50 1200	30.2 21.2
2	55 1135	63.3 1529	75 133 200	200
3	110 567	134.5 44.9	150 417	200 10.4
4	220 284	269 2.32	300 208	1200 5.2
5	440 142	538 116	600 104	1000 2.6
6	880 71	1076 58	1200 52	4000 1.3
7	1320 47.4	161.4 43.7	1800 34.6	7000 0.7
8	1760 35.5	195.2 33	2400 26	1000 0.5
9	BERG CLOCK INPUT - CONNECT TO DCVR END POINT			
10	EXTERNAL CLOCK INPUT - RECV; 10000000			



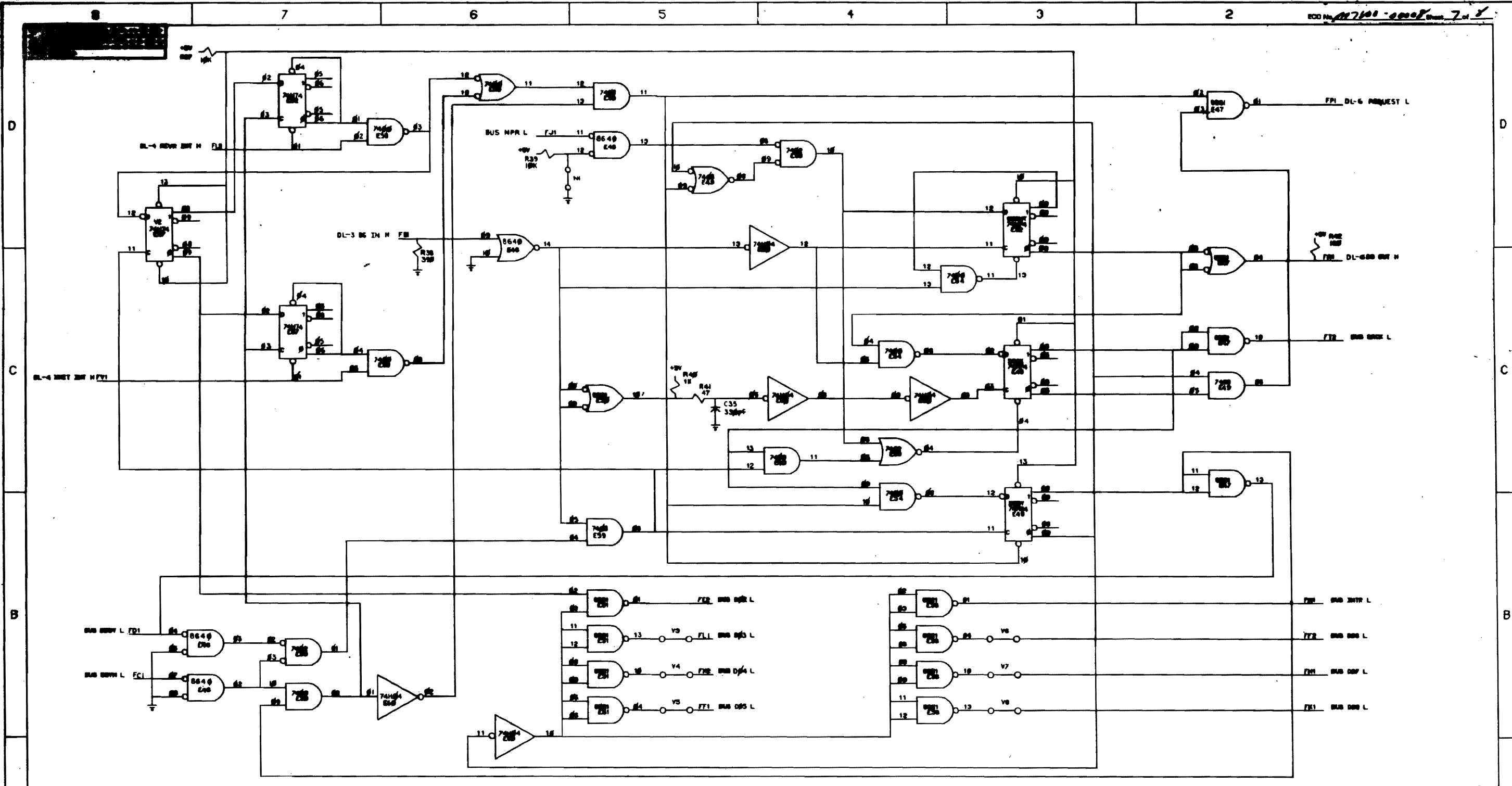
NOTES:  
 1. LETTERS ENCLOSED IN PARENTHESIS REFER TO PINS ON THE BERG CONNECTOR, EXAMPLE (X)  
 2. NUMBERS WITHIN TRIANGLES REFER TO PINS ON THE FEMALE MATE-N-LOCK CONNECTOR WHEN USING THE 700360 CABLE. THIS CABLE ALSO CONNECTS BERG PINS H TO E.

PARTS LIST		QTY.	DESCRIPTION	PART NO.
DL-3				
UNLESS OTHERWISE SPECIFIED DIMENSIONS IN INCHES				
TOLERANCES				
DECIMALS	ANGLES			
.001 - .009	±.005			
.010 - .049	±.010			
.050 - .999	±.015			
1.000 - 99.999	±.030			
REMOVE BURRS AND BREAK SHARP CORNERS SURFACE QUALITY				
MATERIAL				
FINISH				
EQUIPMENT CORPORATION		TITLE ASYNCHRONOUS LINE INTERFACE (CLOCK & CURRENT LOOPS) DL-3		
REV. 1		DATE 7-20-72		REV. 1
BY B. Pinder		DATE 7-27-72		REV. 1
CHECKED J. J. Gagnier		DATE 7-27-72		REV. 1
APPROVED J. J. Gagnier		DATE 7-27-72		REV. 1
MATERIAL		NEXT ORDER AMOUNT		REV. 1
FINISH		DATE		REV. 1
EQUIPMENT CORPORATION		DATE		REV. 1
D CS		M7800-0-1		K



PARTS LIST		REV.	DESCRIPTION	PART NO.
DLII				
UNLESS OTHERWISE SPECIFIED DIMENSIONS IN INCHES TOLERANCES				
DECIMALS	ANGLES			
.XX - .01	20° 2'			
.X - .1				
FINISH				
++				
MATERIAL				
++				
FINISH				
++				
TITLE ASYNCHRONOUS LINE INTERFACE (UART & STATUS) DL-4				
EQUIPMENT CORPORATION				
DATE 3-20-72				
DRAWN BY B. Pirman				
CHECKED BY J. S. ...				
APPROVED BY ...				
SCALE 1" = 1"				
DCS				
M7800-0-1				
REV. K				





NOTE: THE V LINES ARE TO BE JUMPED FOR A L

FIRST LINE ON OPTICARD		QTY.	DESCRIPTION	PART NO.	REV.
DL11					
UNLESS OTHERWISE SPECIFIED DIMENSIONS IN INCHES		PARTS LIST			
TOLERANCES		EQUIPMENT CORPORATION			
DECIMALS	ANGLES	TITLE ASYNCHRONOUS LINE INTERFACE (INTERRUPT CONTROL) DL-6			
.XXX - .000	± 0° 30'	DCS M7800-0-1			
.XXX - .00		REV. K			
.X - .1					
REMOVE BURRS AND BREAK SHARP CORNERS SURFACE QUALITY					
MATERIAL					
FINISH					

