

digital PARTS LIST				QUANTITY / VARIATION								NOTES:
DRN. <i>Al. Monville</i>		DES. ENG. <i>James Duff</i>		MFG. ENG. <i>Phillips</i>								1. THESE ITEMS MAY BE SHIPPED AS BX-Q3127-TC
DATE <i>17 MAY 82</i>		DATE <i>13 MAY 82</i>		DATE <i>14 MAY 82</i>								
CHK'D. <i>Deane</i>		RESP. ENG. <i>James Duff</i>		NEXT HIGHER DOC.								
DATE <i>13 MAY 82</i>		DATE <i>13 MAY 82</i>		DATE								
ITEM NO.	DRAWING NO.	PART NO.	DESCRIPTION	TSV05-BA	TSV05-BB	TSV05-BC	TSV05-BD	TSV05-AA	TSV05-AB	TSV05-AC	TSV05-AD	REFERENCE DESIGNATORS
1	B-TC-TSV05-0-1	MP01157	FIELD MAINTENANCE PRINT SET	1	1	1	1	1	1	1	1	* SEE NOTE 1
2	E-UA-TSV05-B-0	TS05-BA	CABINET ASSY TOP LOADING 120V	1	-	-	-	-	-	-	-	
3	E-UA-TSV05-B-0	TS05-BB	CABINET ASSY TOP LOADING 240V	-	1	-	-	-	-	-	-	
4	E-UA-TSV05-B-0	TS05-BC	CABINET ASSY TOP LOADING 100V	-	-	1	-	-	-	-	-	
5	E-UA-TSV05-B-0	TS05-BD	CABINET ASSY TOP LOADING 220V	-	-	-	1	-	-	-	-	
6	D-UA-M7196-0-0	M7196-00	TSV05 TAPE CONTROLLER	1	1	1	1	1	1	1	1	
7	D-IA-7016855-0-0	7016855-00	TSV05 INTERCONNECT CABLE	2	2	2	2	2	2	2	2	
8	EK-TSV05-UG-001		TSV05 USER'S GUIDE	1	1	1	1	1	1	1	1	* SEE NOTE 1
9	EK-TSV05-PS-		TSV05 POCKETSERVICE GUIDE	1	1	1	1	1	1	1	1	* SEE NOTE 1
10	EK-TSV05-IN-001		TSV05 INSTALLATION GUIDE	1	1	1	1	1	1	1	1	* SEE NOTE 1
11		3018709-00	10" MAGTAPE	1	1	1	1	1	1	1	1	* SEE NOTE 1
12		2200012-00	TUC02 TAPECLEANING KIT	1	1	1	1	1	1	1	1	* SEE NOTE 1
13	D-AD-TSV05-A-0	TS05-AA	TAPE TRANSPORT 120V	-	-	-	-	1	-	-	-	
14	D-AD-TSV05-A-0	TS05-AB	TAPE TRANSPORT 240V	-	-	-	-	-	1	-	-	
15	D-AD-TSV05-A-0	TS05-AC	TAPE TRANSPORT 100V	-	-	-	-	-	-	1	-	
16	D-AD-TSV05-A-0	TS05-AD	TAPE TRANSPORT 220V	-	-	-	-	-	-	-	1	
17		EK-TSV05-TM	TSV05 TECHNICAL MANUAL	-	-	-	-	-	-	-	-	REF ONLY
18	EK-TSV05-IN-CN1		TSV05 INSTALLATION UPDATE 1	1	1	1	1	1	1	1	1	
19	EK-TSV05-UG-CN1		TSV05 USER GUIDE UPDATE 1	1	1	1	1	1	1	1	1	
20	EK-OTS05-IP-001		ILLUSTRATED PARTS BREAKDOWN	-	-	-	-	-	-	-	-	REF ONLY

ECO NO.
TSV05-
NU002
3 2A

THIS DRAWING AND SPECIFICATIONS, HEREIN, ARE THE PROPERTY OF DIGITAL EQUIPMENT CORPORATION AND SHALL NOT BE REPRODUCED OR COPIED OR USED IN WHOLE OR IN PART AS THE BASIS FOR THE MANUFACTURE OR SALE OF ITEMS WITHOUT WRITTEN PERMISSION.
COPYRIGHT © 1982 DIGITAL EQUIPMENT CORPORATION

TITLE
SHIPPING LIST

ASSY. NO.
D-UA-TSV05-0-0

SIZE
B PL

NUMBER
TSV05-0-2

REV.
C

SECTION OF

SHEET 1 OF 1

DRB 125A

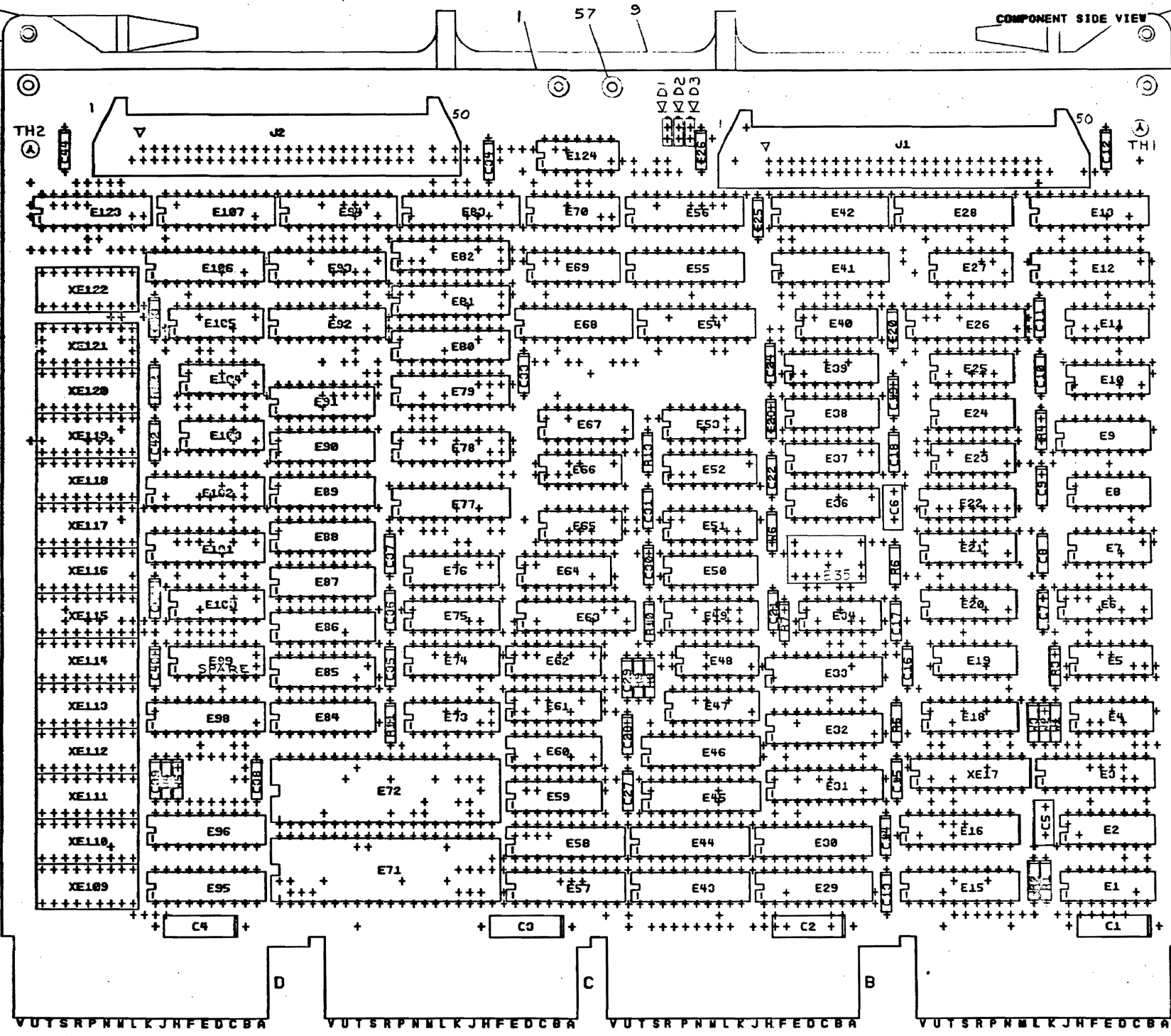
NU

6 5 4 3 2 1

1982

COMPONENT SIDE VIEW

NOTE:
THIS MODULE SHALL BE PACKAGED IN A
9905621-00 FOLDING BOX PLACED INSIDE
A 9905781-00 CARTON.



3.54 REF

NOTES:
1. DO NOT INSTALL W1, W2, AND W3.
2. MOUNT HANDLE ASSY ON BOARD WITH FOUR EYELETS AS SHOWN.

STEP 6	✓ Y FCS	✓ STEP 11	✓ TD25
REPEAT	→ X FCS	→ STEP 11	→ TD25

CHANGE NO REV
DRAWN & REVISED
PER M7196-00(2)

ETCH REV. D-PI

SIGNATURES
DRN. *[Signature]*
CHK'D. *[Signature]*
MECH. ENG. *[Signature]*
PROJ. ENG. *[Signature]*
SCALE 2/1
SHT. 1 OF 1
NEXT HIGHER ASSY. B-DD-M7196-0

DATE 1982
TITLE TSV05
TAPE CONTROLLER
SIZE CODE D
NUMBER 0
REV B

8 7 6 5 4 3 2 1 WO# 11

AUTOMATED BY PRTLST.3P(44)

PARTS LIST

SHEET A1 OF A2

LINE	ITEM	TOP DOCUMENT	PART NUMBER	MIN REV	DESCRIPTION	QTY	PER VARIATION	REFERENCE DESIGNATOR
1	1	D-MD-5014717-0-0	5014717-00		TSV05 CONTROLLER M7196	1		
2	2		1012121-00		220.0 MMF 100V 1X200PPM MICA	2		C5,C6
3	3		1012784-00		.047 MFD 50V +80-20% CER	37		C7-C31,C33-C44
4	4		1017472-00		10 MFD 35V +50-10% AL EL	4		C1-C4
5	5		1114136-00		LED 16MA 5V	3		D1-D3
6	6		1209941-07		PCB,HEADER 50PIN(2X25).100CC 90D	2		J1,J2
7	7		1211164-06		SW,DIP 10POS/1PST 5VDC100MA F	2		E57,E58
8	8		1215006-03		SKT,IC 18PIN DIP TIN SLD	14		XE109-XE122
9	9		1213113-01		HANDLE,MODULE,	1		
10	10		1300316-00		470.0 .25 W 5.0 Z CF	4		R3,R7,R11,R13
11	11		1300365-00		1.0 K .25 W 5.0 Z CF	7		R2,R4,R5,R8,R9,R10,R12
12	12		1304856-00		4.64 K .25 W 1.0 Z RN55D-F10	1		R1
13	13		1319367-01		R NETWORK 14-220 14-330 16PIN	2		E69,E70
14	14		1311003-02		R NETWORK 14-330 14-680 16PIN	1		E18
15	15		1313844-00		221.0 K .25 W 1.0 Z RN55D-F10	1		R6
16	16		1811660-00		OSCILLATOR, XTAL 20.000 MHZ	1		E35
17	17		1910532-00		74S00 NAND GATE-QUAD 2IN	1		E103
18	18		1910544-00		74S74 FF-D DUAL,EDGE TRIGG	3		E23,E48,E65
19	19		1910545-00		74S112 FF-JK DUAL,EDGE TRIG	4		E9,E22,E49,E50
20	20		1911579-00		8541 TRANSCEIVER,BUS,QUA	2		E1,E2
21	21		1911675-00		74S138 DECODER/DEMUX 3-8 LI	2		E64,E105
22	22		1911676-00		74S139 DECODER-DUAL TWO-IMP	1		E100
23	23		1912096-00		DEC 74S86 XOR GATE,QUAD 2IN	1		E104
24	24		1912389-00		74S08 AND GATE-QUAD 2IN,PD	3		E11,E34,E66
25	25		1912648-00		LS251 MUX 8 INPUT,TRI-STA	2		E52,E67
26	26		1912656-00		LS670 REGISTER FILE,4X4,LO	8		E59-E62,E73-E76
27	27		1912697-00		LS174 FF-D HEX W/CLEAR	2		E6,E47
28	28		1912725-00		74S251 MUX 1 OF 8 TRI-STA	1		E51
29	29		1912729-00		DC 004 PROTOCOL,REG. SELECT	1		E15
30	30		1912730-00		DC 003 INTERRUPT,2 CIRCUIT	1		E17

REVISION HISTORY			BASIC PART NO: 5014717						
ENG	ECD NUMBER	REV	SECTION A OF A	DRN:	D.COREY	DATE: 11-MAR-82	D I G I T A L		
	INITIAL	A	SECTION VARIATION INDEX	CHK'D:	S.CHLYPAWKA	DATE: 11-MAR-82	TITLE PARTS LIST		
JD	M7196-NU001	B	EAJ 00				DOCUMENT NUMBER		
JD	M7196-NU002	C	EBJ				SIZE CODE NUMBER REV		
DRD	M7196-NU003	D	ECJ	DES.ENG:	S.CHMIELECKI	DATE: 25-MAR-82	K I P L M7196-0 DBP D		
			EDJ	RESP.ENG.:	J.DOYLE	DATE: 25-MAR-82	RELEASE DATE: 11-JAN-84		
			EEJ						
			EFJ	MFG.ENG.:	D.HERBERT	DATE: 25-MAR-82	ASSEMBLY NUMBER: TOP DOCUMENT NUMBER: FILE NAME: EDITION		
			EGJ				D-UA-M7196-0 18-DD-M7196-0 M7196R.PLS 36		
			EJJ						
			EKJ						
			ELJ						
			EMJ						
			ENJ						

"THIS DRAWING AND THE SPECIFICATIONS CONTAINED HEREIN ARE CONFIDENTIAL AND PROPRIETARY. THEY ARE THE PROPERTY OF DIGITAL EQUIPMENT CORPORATION AND SHALL NOT BE REPRODUCED OR COPIED OR USED IN WHOLE OR IN PART AS THE BASIS FOR THE MANUFACTURE OR SALE OF ITEMS WITHOUT WRITTEN PERMISSION. THIS IS AN UNPUBLISHED WORK PROTECTED UNDER THE FEDERAL COPYRIGHT LAWS."

AUTOMATED BY PRTLST,3P(44)

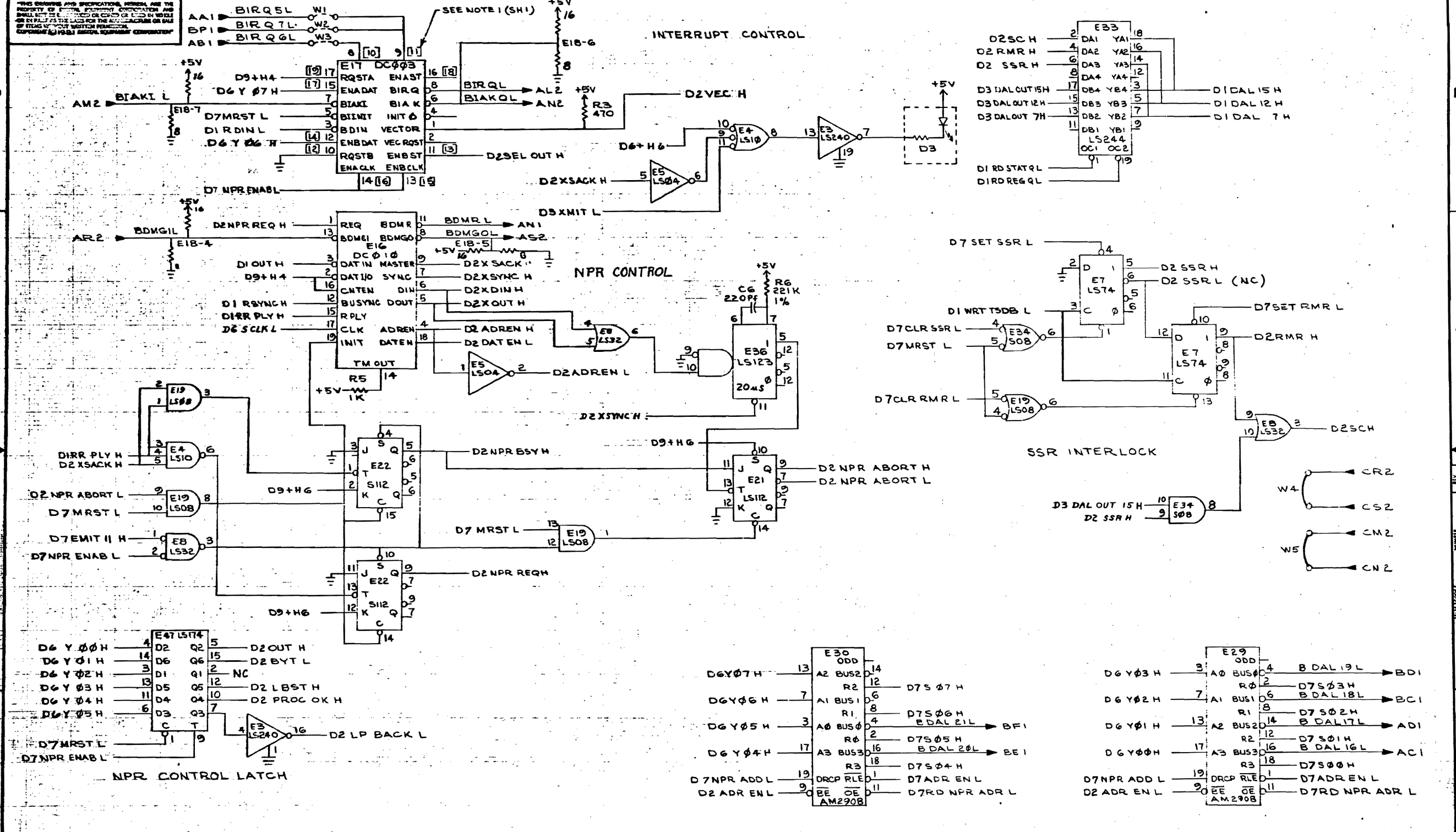
PARTS LIST

SHEET A2 OF A2

LINE	ITEM	TOP DOCUMENT	PART NUMBER	MIN REV	DESCRIPTION	QTY PER VARIATION	REFERENCE DESIGNATOR
						00	
31	31		1912799-00		LS00 NAND-GATE-QUAD 2IN,P	1	E10
32	32		1712903-00		LS04 INVERTER GATE,HEX	1	E5
33	33		1912805-00		LS08 AND GATE-QUAD 2IN,PD	1	E19
34	34		1912807-00		LS10 NAND GATE-TRIPLE 3IN	1	E4
35	35		1912816-00		LS32 OR GATE-QUAD 2IN,POS	1	E8
36	36		1912824-00		LS74 FF-D DUAL,EDGE TRIGG	4	E7,E24,E25-E124
37	37		1912834-00		LS112 FF-JK,DUAL,EDGE TRIG	2	E21,E37
38	38		1912837-00		LS123 ONE SHOT-DUAL,RETRIG	1	E36
39	39		1912842-00		LS138 DECODER-THREE INPUT,	1	E20
40	40		1913040-00	DC	005 TRANSCEIVER 4BIT	4	E43-E46
41	41		1913245-01		2901A MICROPROCESSOR-4 BIT	2	E71-E72
42	42		1913462-00		74S240 OCTAL BUFFER,INVERTI	2	E12,E43
43	43		1913493-00		74S241 OCTAL BUFFER,TRI-STA	2	E77,E78
44	45		1913777-00		LS240 DRIVER,LINE,OCTAL,T	2	E3,E56
45	46		1914038-00	DC	010 BIPOLAR,MEM ADDRESS,L	1	E16
46	47		1914214-00		LS374 FF-D OCTAL EDGE TRIG	15	E41,E54,E55,E79,E80,E91,E82,E83- CONT E95,E56,E98,E101,E102,E106,E107
47	48		1914451-00		LS393 COUNTER,BINARY,4BIT	1	E53
48	49		1914768-00	C	67401J MEMORY FIFO,SERIAL	2	E38,E39
49	50		1915193-00		LS244 DRIVER,LINE,OCTAL,T	7	E13,E26,E28,E33,E42,E48,E123
50	51		1915305-00	AM	2908 TRANSCEIVER,BUS,LATCH	2	E29,E30
51	52		1916680-01		2911A MICROPROGRAM SEQUENC	3	E92-E94
52	53		1917956-00		LS280 PARITY GEN,CHK,9BIT,	2	E27,E40
53	54		2117498-02		6147P RAM,4KX1,STATIC,55NS	8	E84-E91
54	55		23073J5-00	J5-01	PAL,LOGIC,CONT	1	E31
55	56		23074J5-00	J5-01	PAL,LOGIC,CONT	1	E32
56	57		9000024-01		EYELET,ROLLED 0.1210DX0.192	4	
57	58		9009185-00		JUMPER, WIRE, INSULATED, BLACK B	3	W4,W5,W6
58	59		23060F2-00	F2-01		1	E109
59	60		23061F2-00	F2-01		1	E110
60	61		23062F2-00	F2-01		1	E111
61	62		23063F2-00	F2-01		1	E112
62	63		23064F2-00	F2-01		1	E113
63	64		23065F2-00	F2-01		1	E114
64	65		23066F2-00	F2-01		1	E115
65	66		23067F2-00	F2-01		1	E116
66	67		23068F2-00	F2-01		1	E117
67	68		23069F2-00	F2-01		1	E118
68	69		23070F2-00	F2-01		1	E119
69	70		23071F2-00	F2-01		1	E120
70	71		23072F2-00	F2-01		1	E121
71	72		23073F2-00	F2-01		1	E122

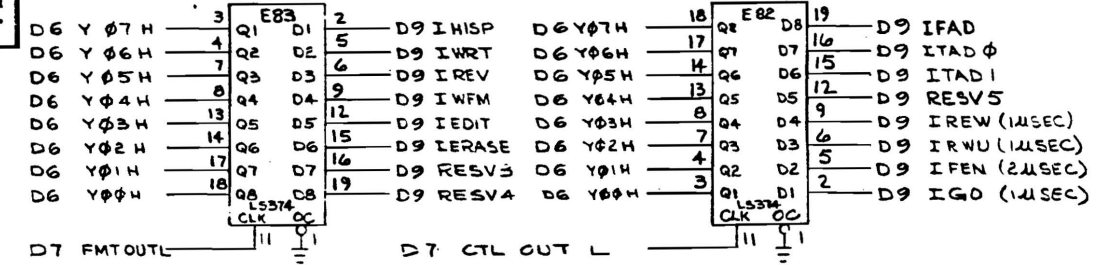
D I G I T A L	TITLE	TSV05 CONTROLLER	SECTION A OF A	SIZE CODE	DOCUMENT NUMBER	REV
				K PL	H7196-0-DBP	D

NV

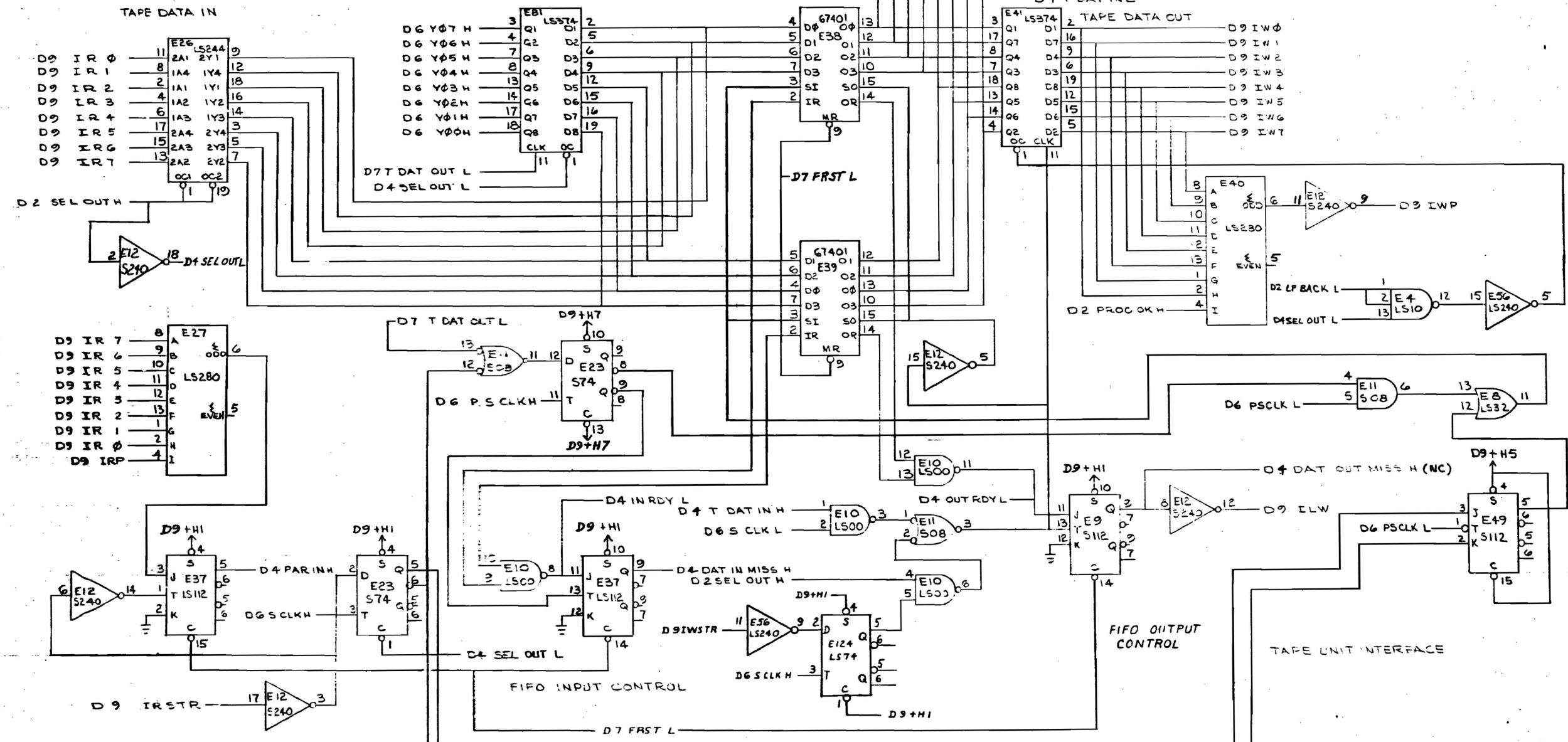


THIS DRAWING AND SPECIFICATIONS HEREIN ARE THE PROPERTY OF DIGITAL EQUIPMENT CORPORATION AND SHALL NOT BE REPRODUCED OR COPIED IN WHOLE OR IN PART WITHOUT WRITTEN PERMISSION OF DIGITAL EQUIPMENT CORPORATION © 1980 DIGITAL EQUIPMENT CORPORATION

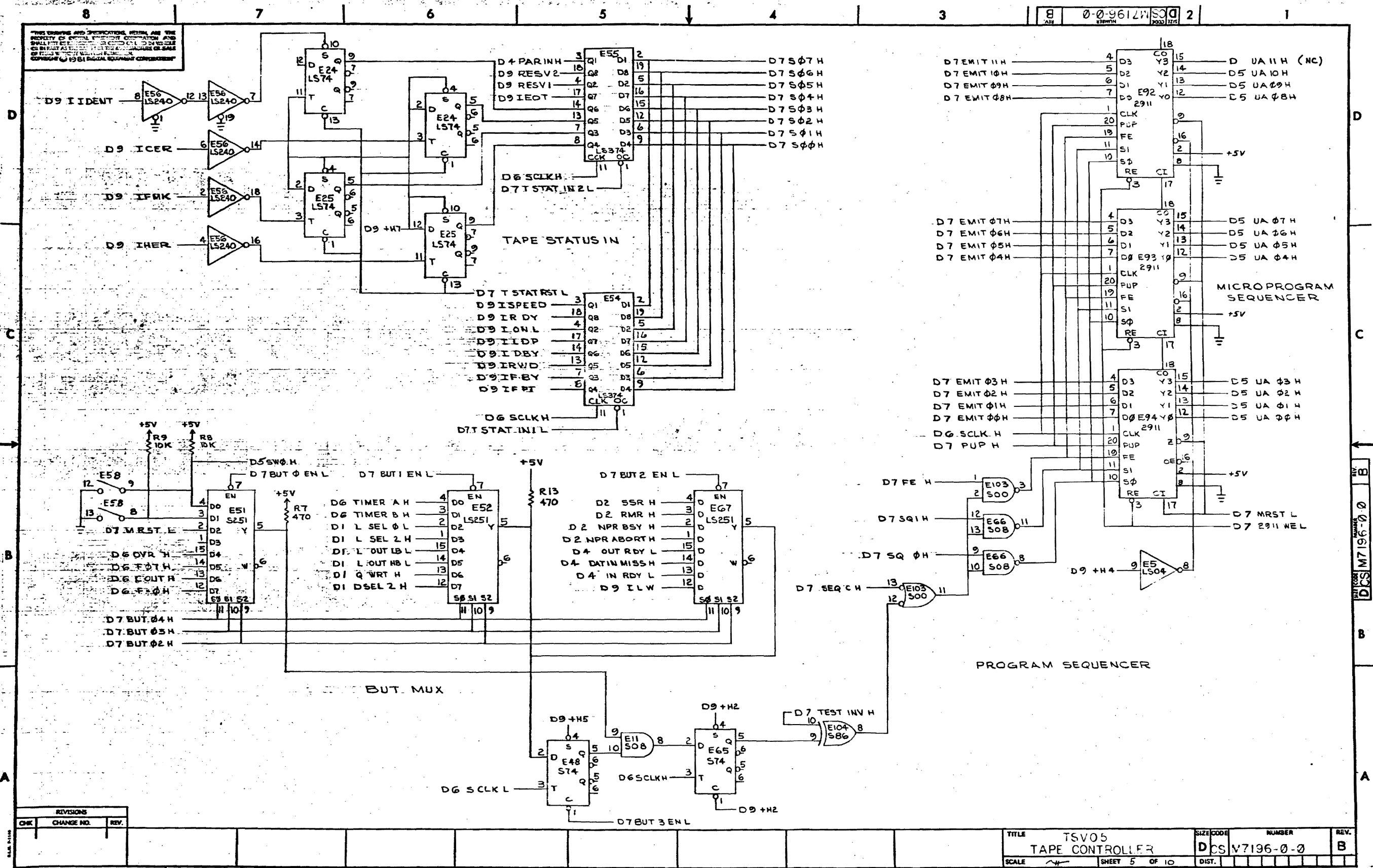
TAPE FORMAT & CONTROL OUT



TAPE DATA FIFO



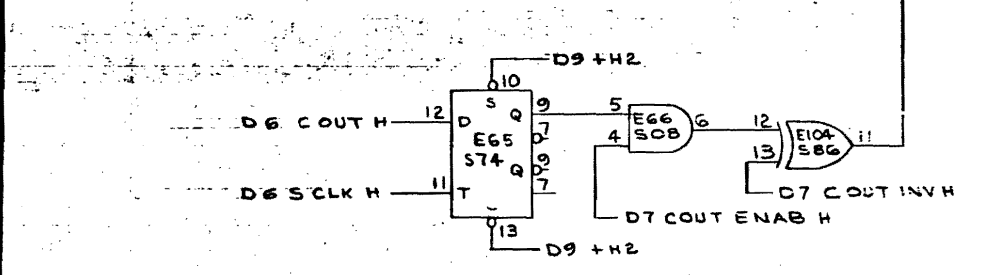
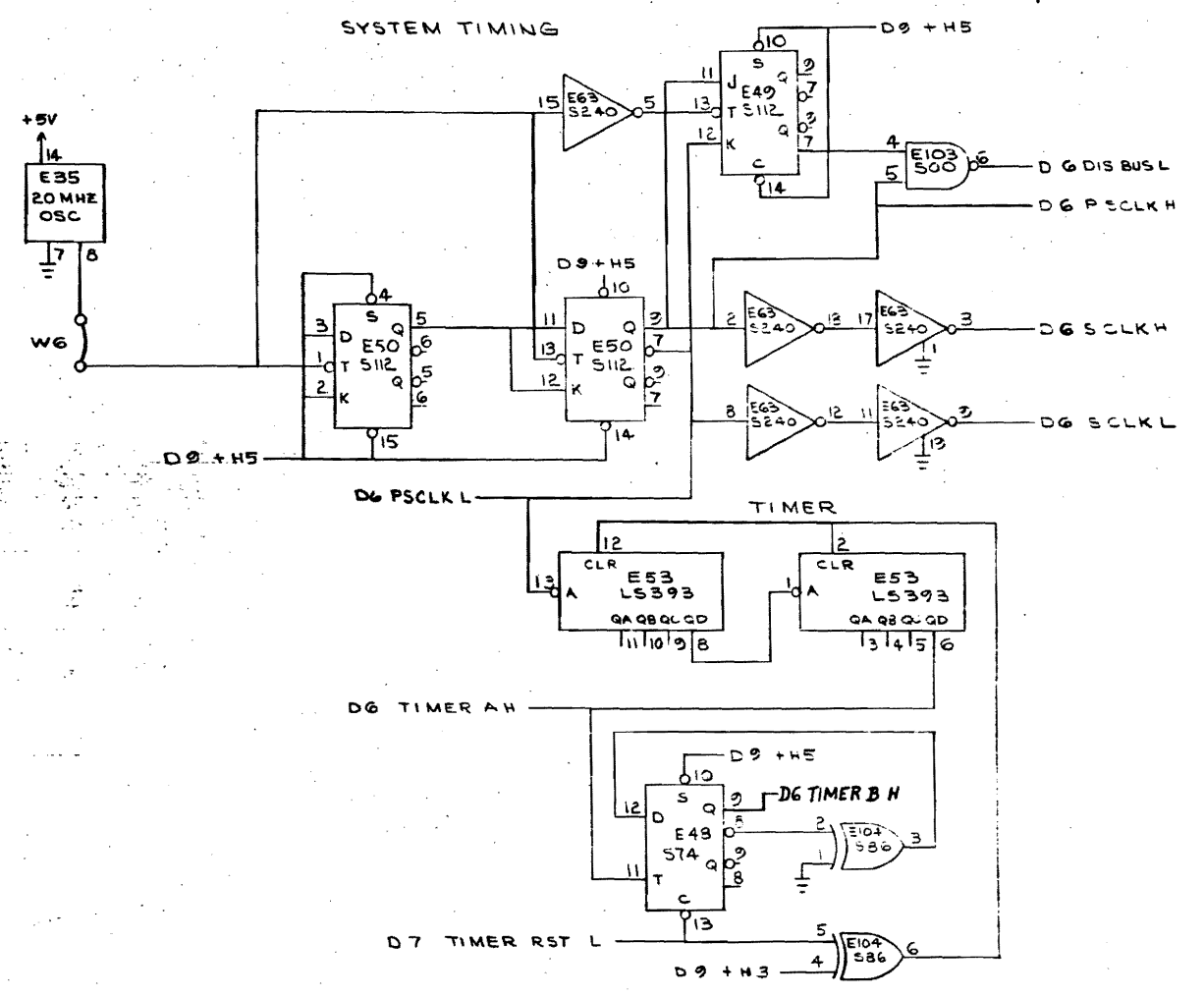
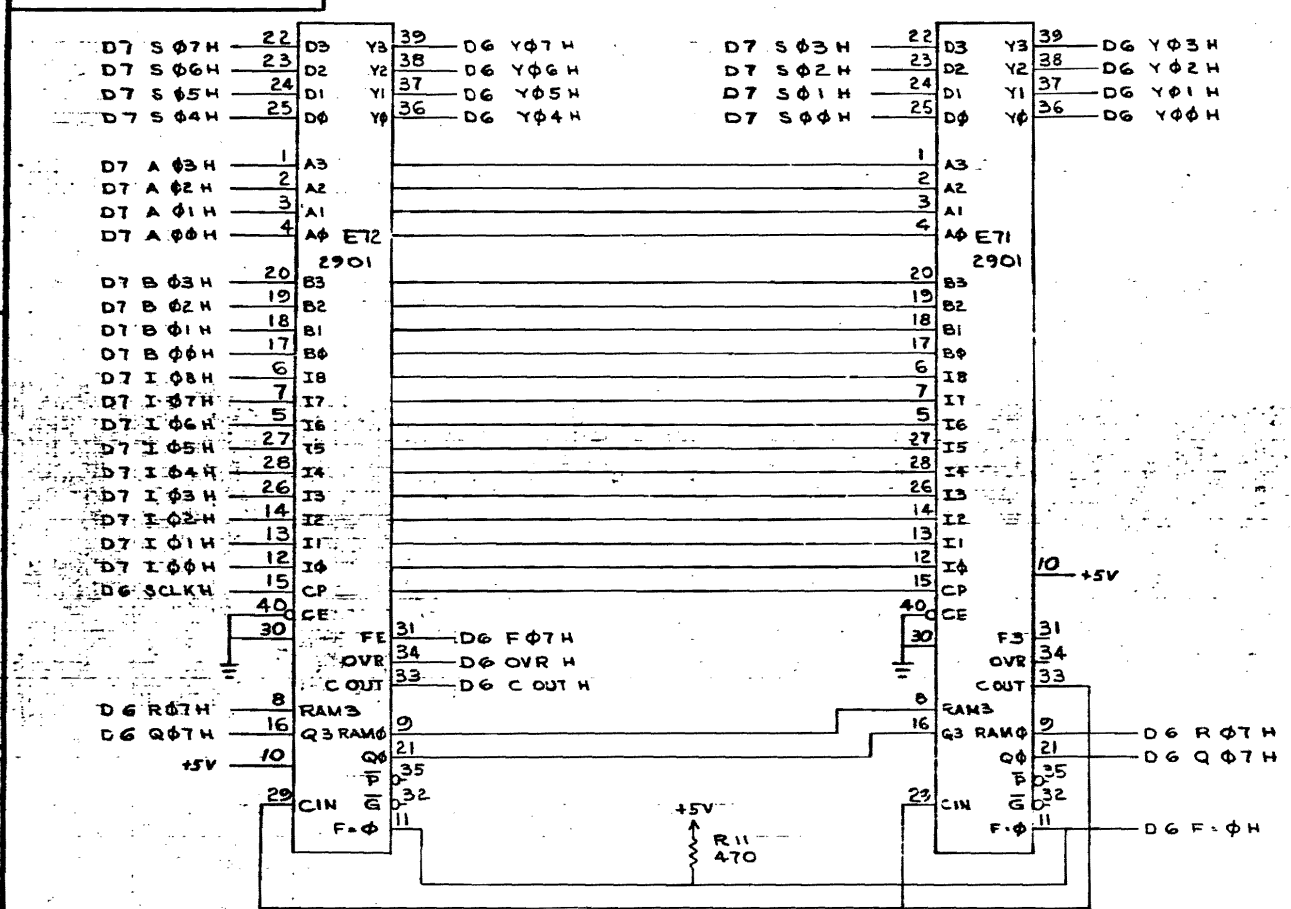
THIS DRAWING AND SPECIFICATIONS HEREON ARE THE PROPERTY OF SPACELAB, INC. AND SHALL BE KEPT IN CONFIDENTIALITY. NO REPRODUCTION OR SALE OF THIS DRAWING OR SPECIFICATIONS IS PERMITTED WITHOUT THE WRITTEN CONSENT OF SPACELAB, INC.



REVISIONS		
CHK	CHANGE NO.	REV.

THIS DRAWING AND SPECIFICATIONS HEREIN ARE THE PROPERTY OF DIGITAL EQUIPMENT CORPORATION AND SHALL NOT BE REPRODUCED OR COPIED IN WHOLE OR IN PART AS THE BASIS FOR THE MANUFACTURE OR SALE OF ITEMS WITHOUT WRITTEN PERMISSION. COPYRIGHT © 1981 DIGITAL EQUIPMENT CORPORATION

0-0-9612W SCD 2



ARITHMETIC/LOGIC UNIT

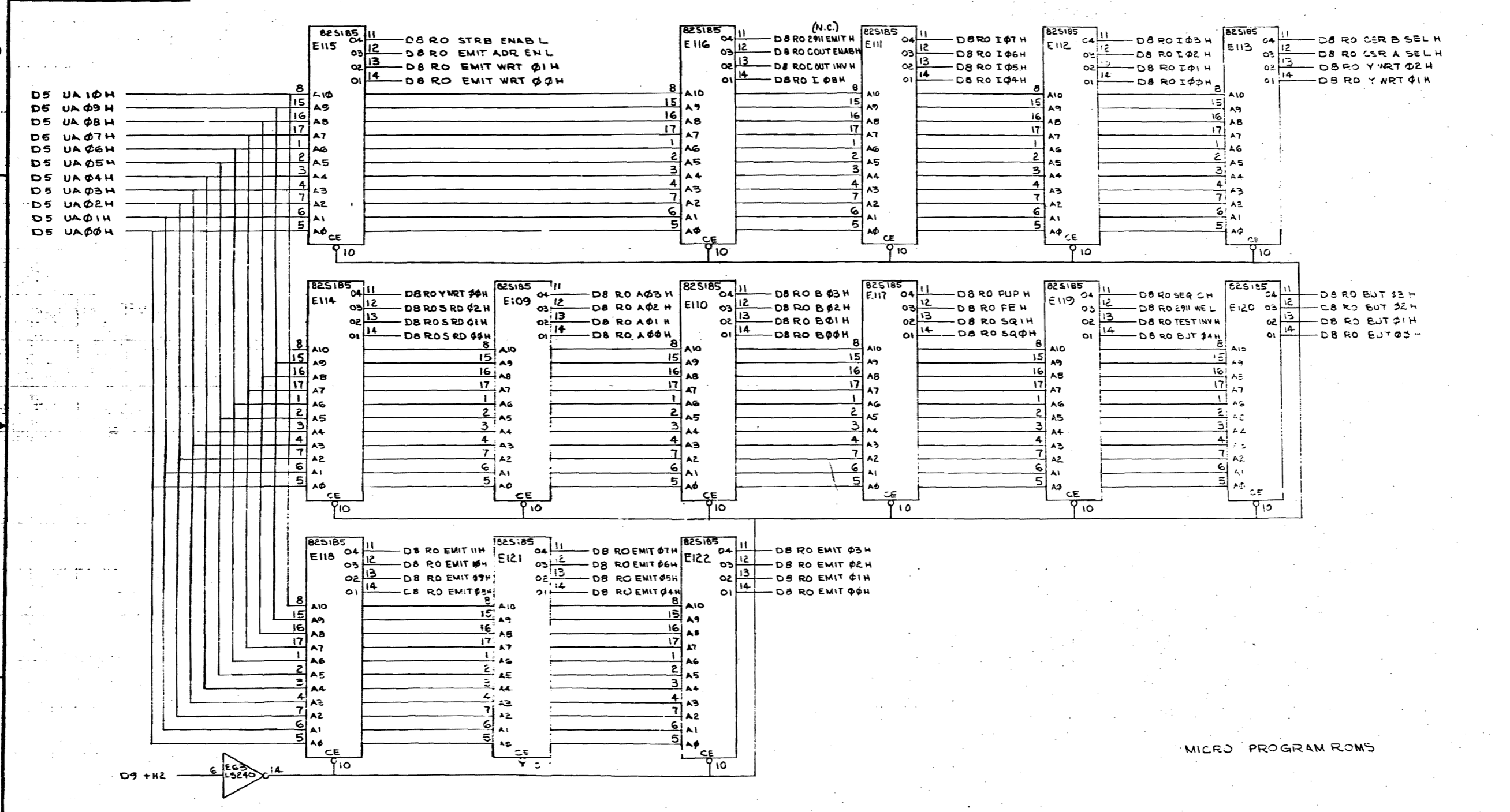
REV. B

REV. B

REVISIONS		
CHK	CHANGE NO.	REV.

TITLE	TSV05 TAPE CONTROLLER	SIZE CODE	D CS	NUMBER	M7196-0-0	REV.	B
SCALE		SHEET	6	OF 10			

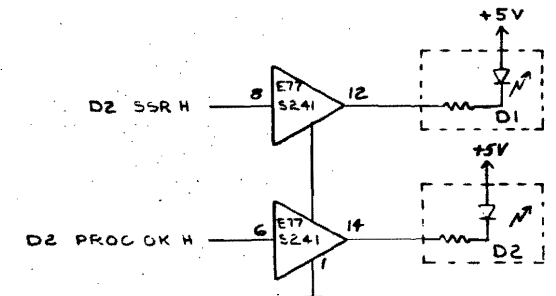
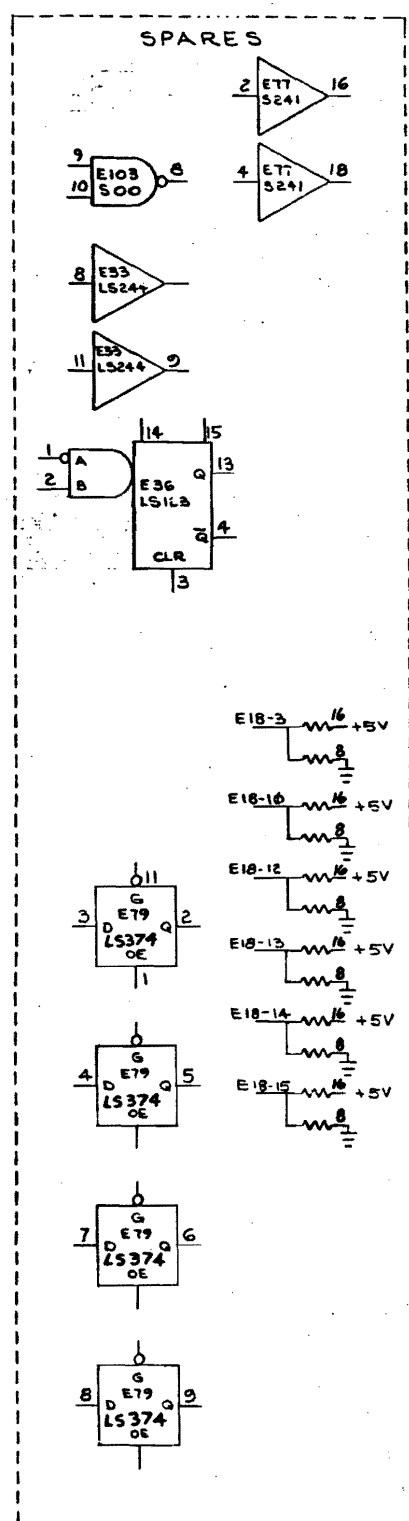
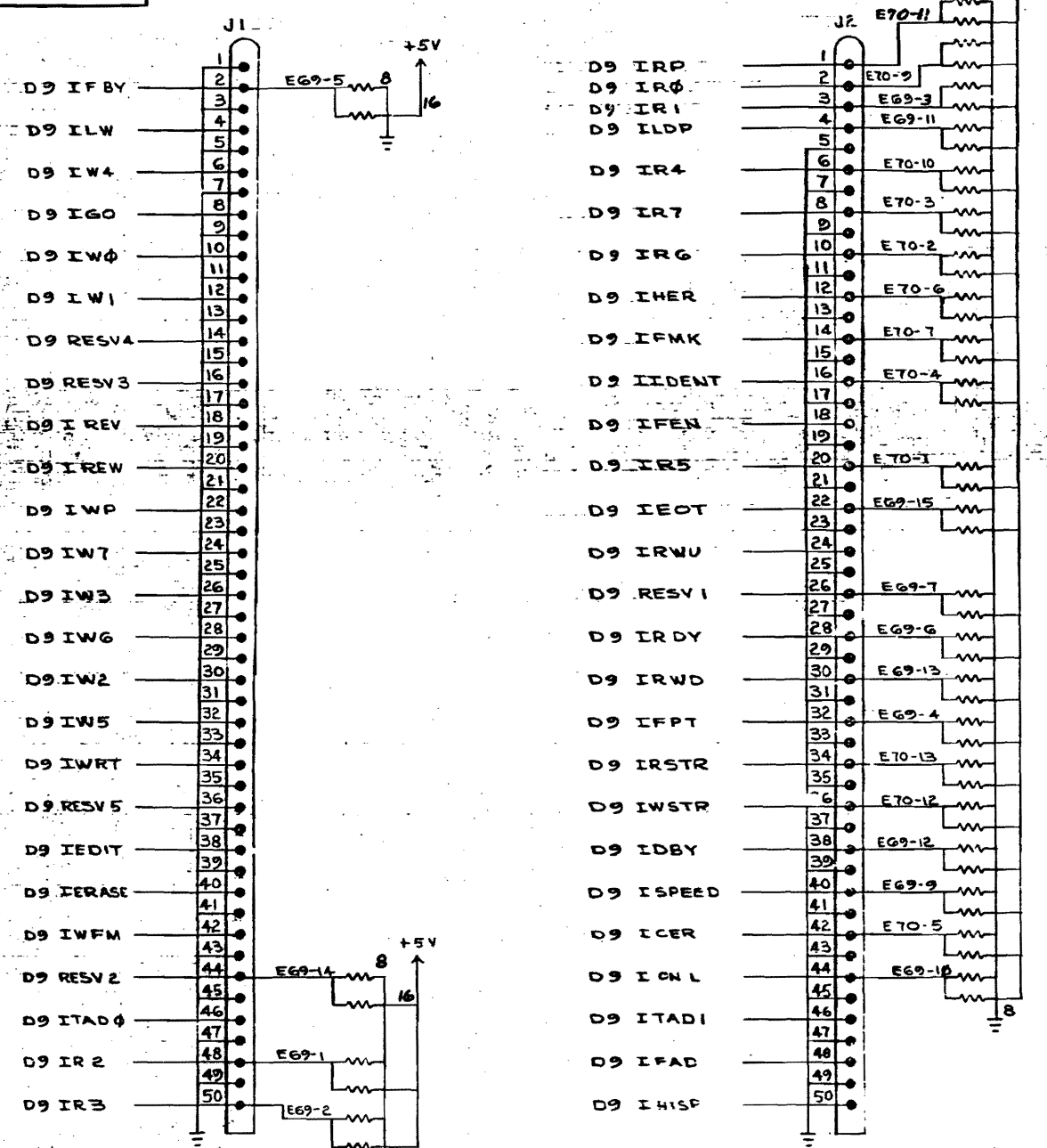
THIS DRAWING AND SPECIFICATIONS HEREIN ARE THE PROPERTY OF DIGITAL EQUIPMENT CORPORATION AND SHALL NOT BE REPRODUCED OR KEPT ON HAND BY WHOMEVER OR IN PART AS THE BASIS FOR THE MANUFACTURE OR SALE OF ITEMS WITHOUT WRITTEN PERMISSION. COPYRIGHT © 1976 BY DIGITAL EQUIPMENT CORPORATION.



MICRO PROGRAM ROMS

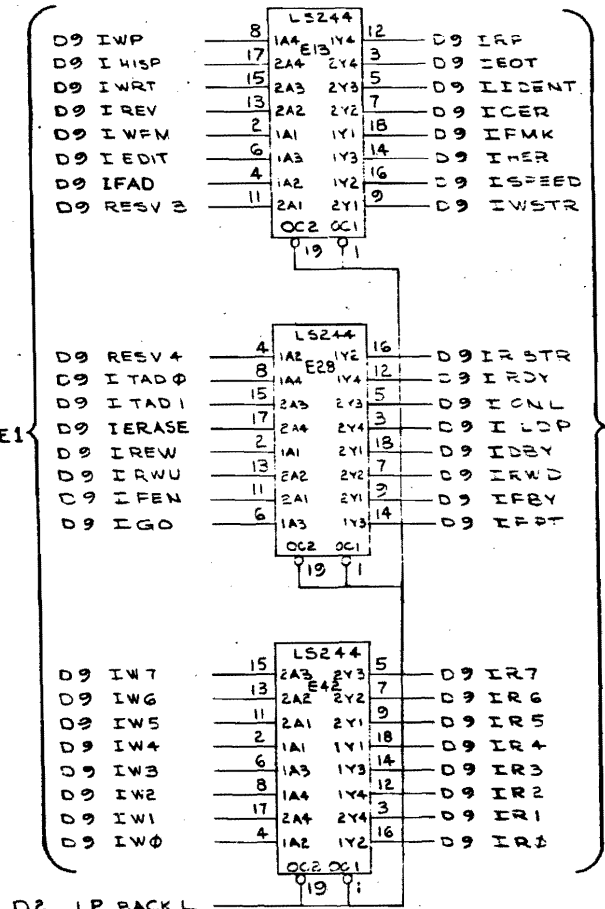
THIS DRAWING AND SPECIFICATIONS HEREIN ARE THE PROPERTY OF ELECTRONIC EQUIPMENT CORPORATION AND SHALL NOT BE REPRODUCED OR COPIED IN WHOLE OR IN PART AS TO THE DESIGN OR INVENTION OR AS TO THE METHOD OF MANUFACTURE OR SALE OF SUCH WORK WITHOUT THE WRITTEN PERMISSION OF ELECTRONIC EQUIPMENT CORPORATION.

0-0-9612W 2



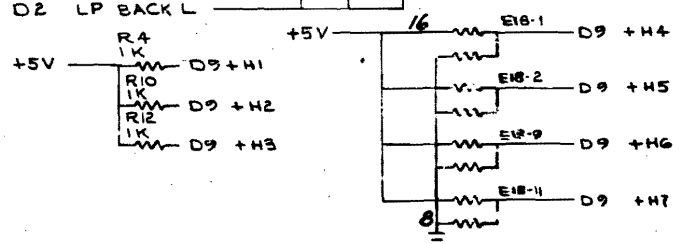
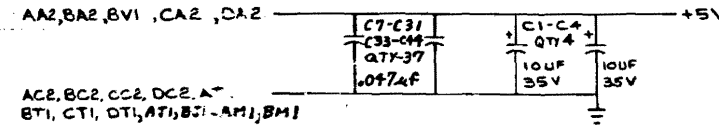
NOTE 1 THESE SIGNALS ORIGINATE ON SHEET D4

NOTE 2 THESE SIGNALS ORIGINATE FROM THE BERG CONNECTORS ON THIS SHEET UNDER NORMAL CONDITIONS.



SEE NOTE 1

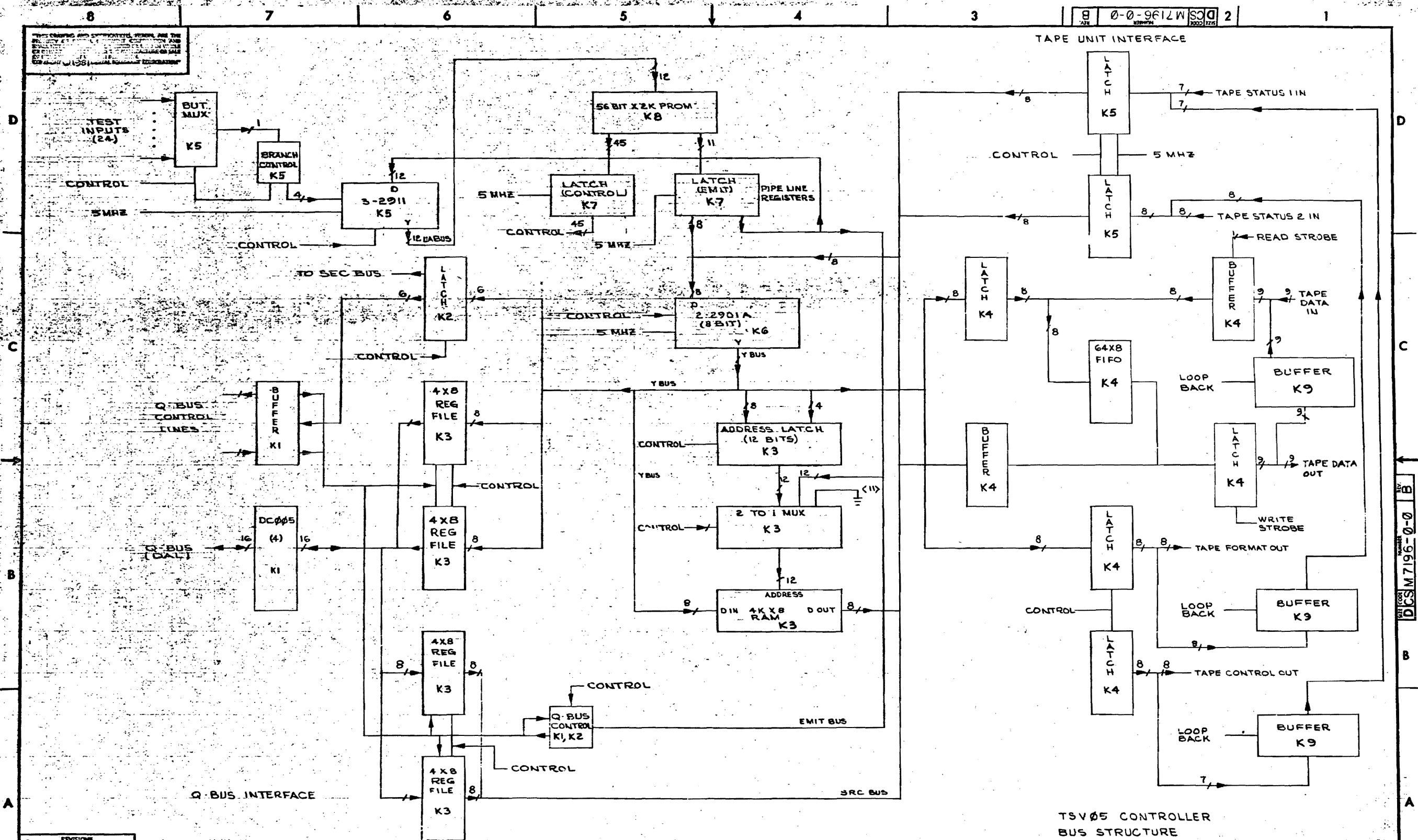
SEE NOTE 2



REVISIONS		
CHK	CHANGE NO.	REV.

TITLE	TSV05 TAPE CONTROLLER	SIZE CODE	DCS M7196-0-0	NUMBER	B	REV.	B
SCALE		SHEET	9 OF 10	DIST.			

DCS M7196-0-0



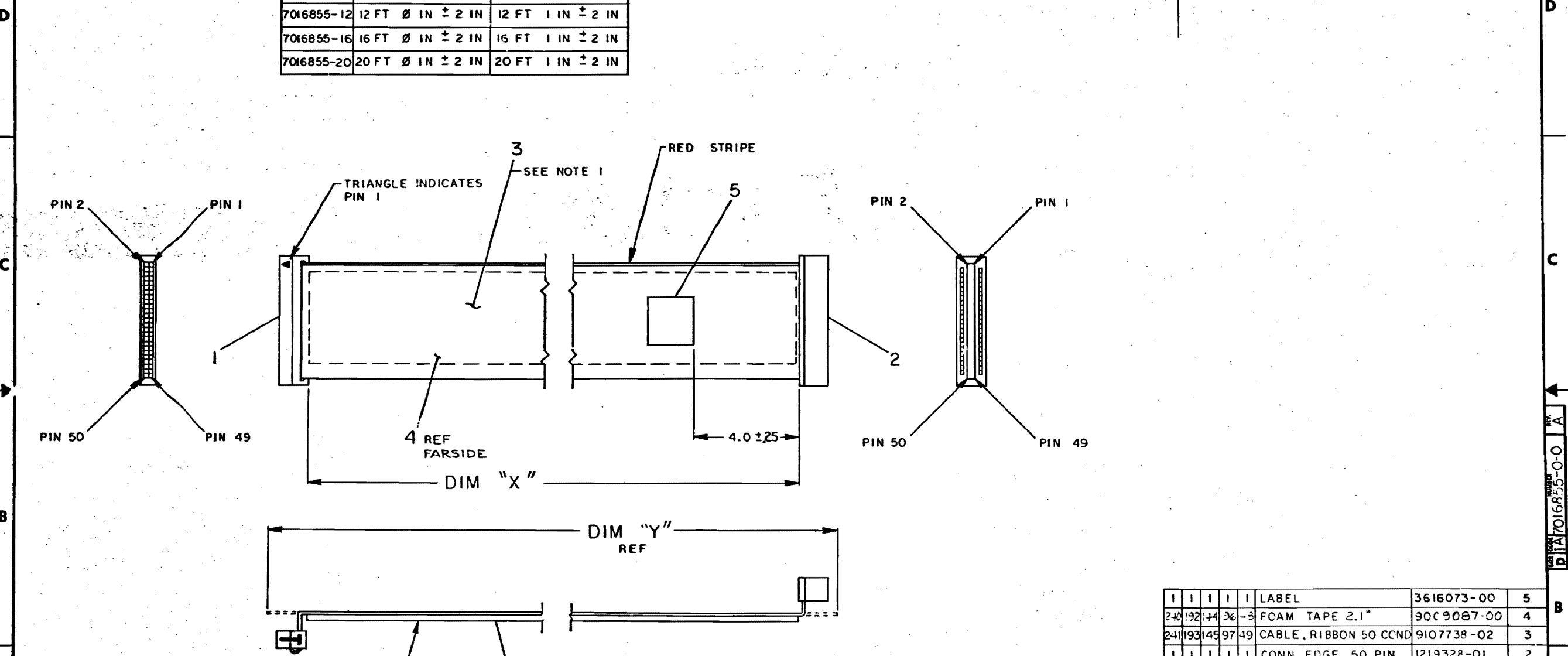
REVISIONS		
CHK	CHANGE NO.	REV.

THIS DRAWING AND SPECIFICATIONS, HEREIN, ARE THE PROPERTY OF MILITARY EQUIPMENT CORPORATION AND SHALL BE KEPT CONFIDENTIAL TO THE EXTENT OF THE RIGHTS OF THE U.S. GOVERNMENT. NO PART OF THIS DRAWING OR SPECIFICATIONS SHALL BE REPRODUCED OR TRANSMITTED IN ANY FORM OR BY ANY MEANS, ELECTRONIC OR MECHANICAL, INCLUDING PHOTOCOPYING, RECORDING, OR BY ANY INFORMATION STORAGE AND RETRIEVAL SYSTEM, WITHOUT PERMISSION IN WRITING FROM MILITARY EQUIPMENT CORPORATION. COPYRIGHT © 1982 - MILITARY EQUIPMENT CORPORATION

LEGEND		
NUMBER	DIM "X" VARIATION	DIM "Y" VARIATION
7016855-04	4 FT Ø IN ± 2 IN	4 FT 1 IN ± 2 IN
7016855-08	8 FT Ø IN ± 2 IN	8 FT 1 IN ± 2 IN
7016855-12	12 FT Ø IN ± 2 IN	12 FT 1 IN ± 2 IN
7016855-16	16 FT Ø IN ± 2 IN	16 FT 1 IN ± 2 IN
7016855-20	20 FT Ø IN ± 2 IN	20 FT 1 IN ± 2 IN

0-0-9989102 2

NOTES:
 1. QTY IS SPECIFIED IN INCHES.
 2. USE 9905012-17 ENVELOPE FOR PACKAGING.



FOAM TAPE TO BE INSTALLED THIS SIDE AS SHOWN. APPROXIMATELY CENTERED. SEE NOTE 1

QTY	REV	DESCRIPTION	DWG/PART NO.	ITEM NO.
1	1	LABEL	3616073-00	5
240	192	FOAM TAPE 2.1"	90C 9087-00	4
241	193	CABLE, RIBBON 50 CCND	9107738-02	3
1	1	CONN. EDGE 50 PIN	1219328-01	2
1	1	CONN. 50 PIN SOCKET	1211664-00	1

CLASS OF ACCURACY	NOMINAL DIMENSION RANGE INCHES					
	OVER 0 TO 0.2	OVER 0.2 TO 0.5	OVER 0.5 TO 1.2	OVER 1.2 TO 4.0	OVER 4.0 TO 12.0	OVER 12.0 TO 40.0
MEDIUM	± 0.008	± 0.012	± 0.016	± 0.024	± 0.040	± 0.080
PREFERRED	± 0.012	± 0.016	± 0.024	± 0.040	± 0.080	± 0.160

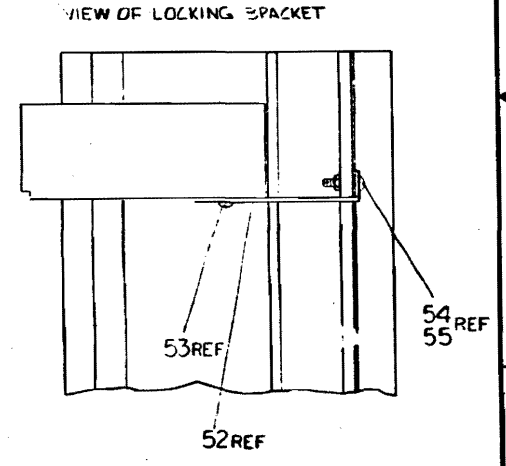
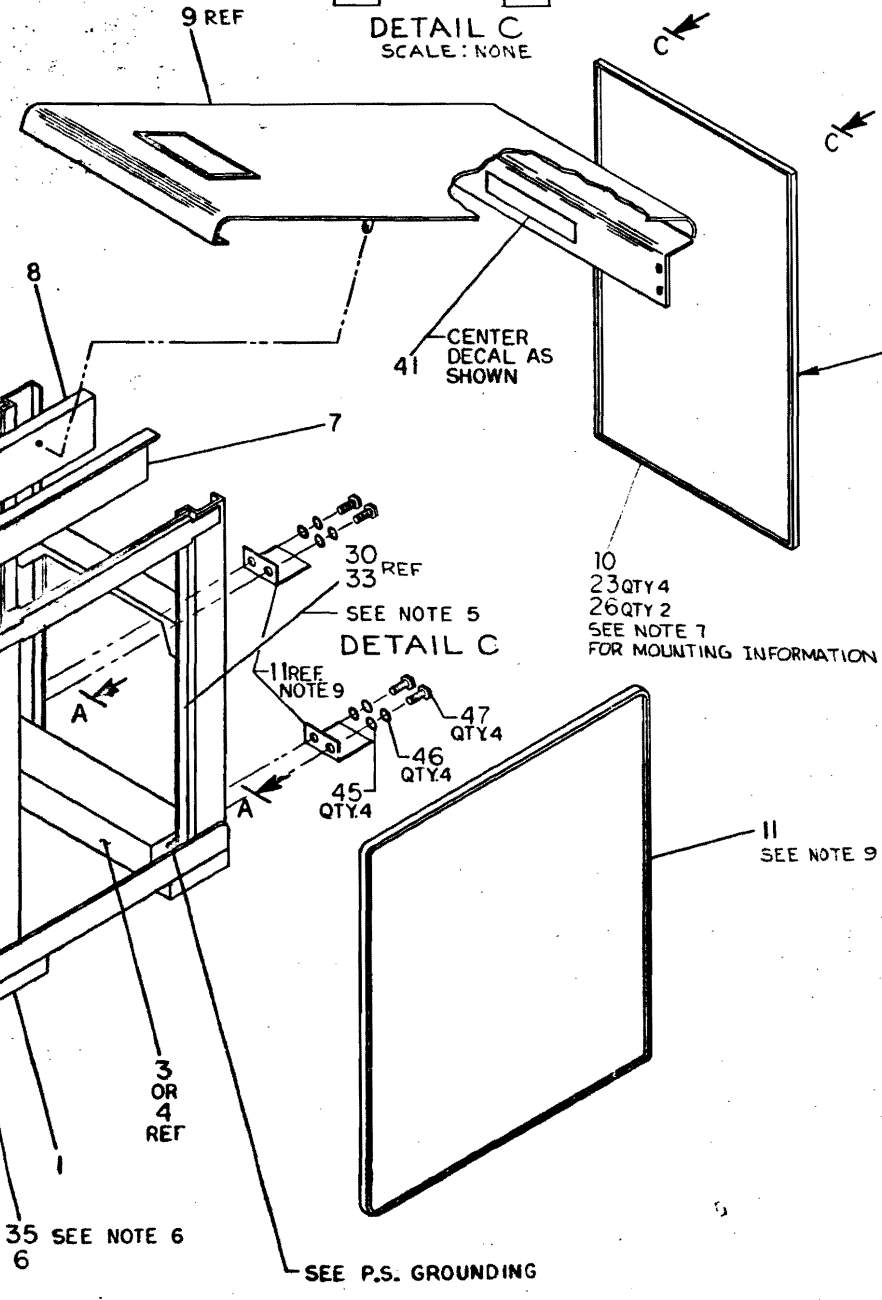
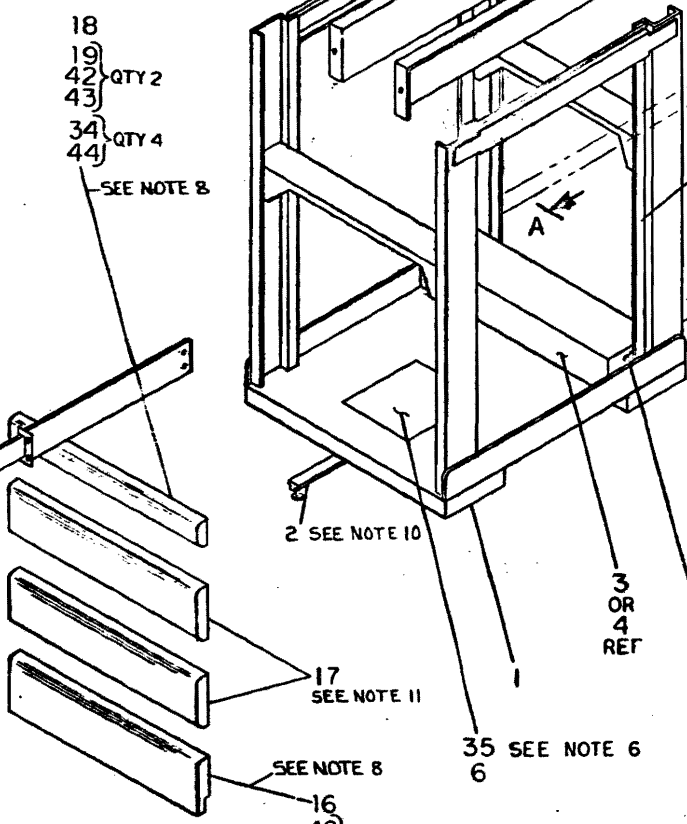
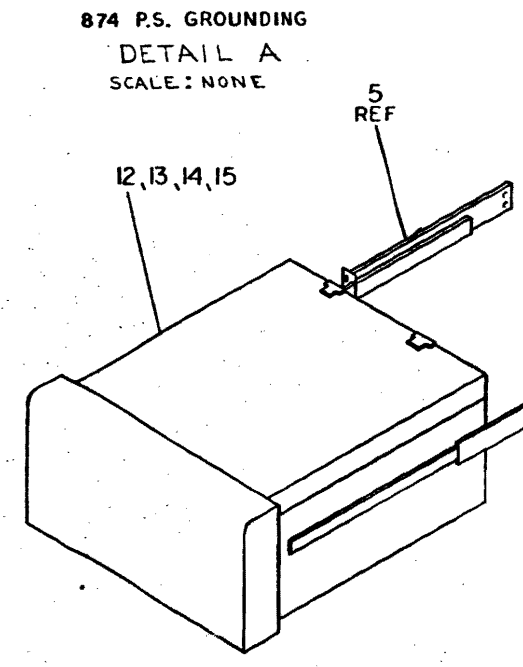
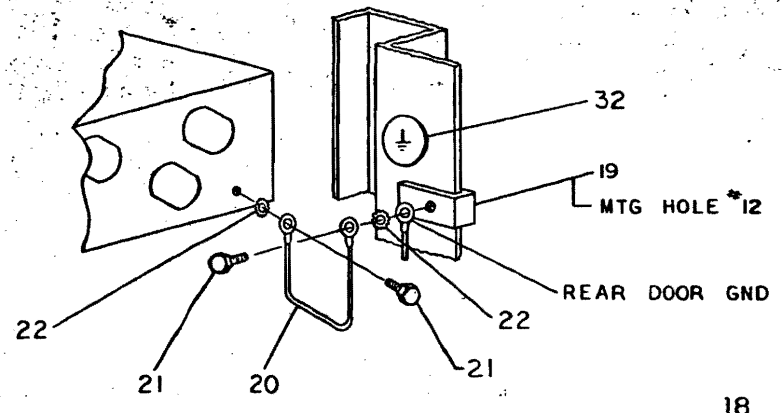
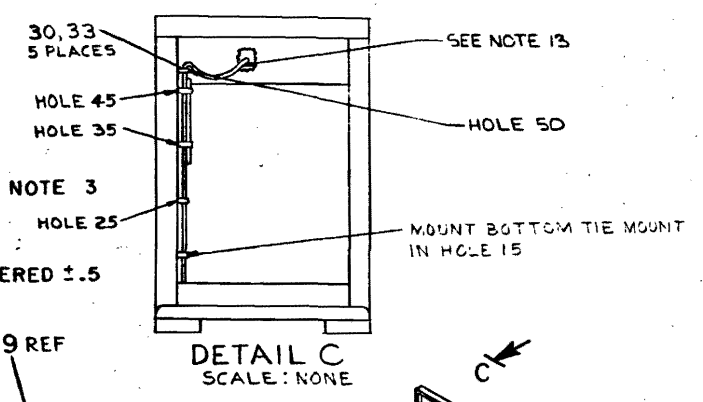
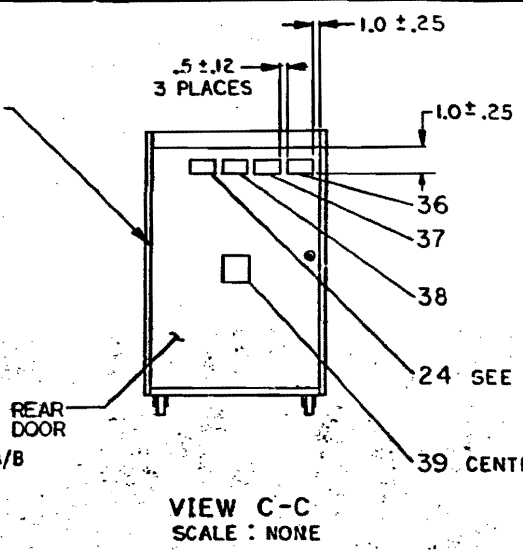
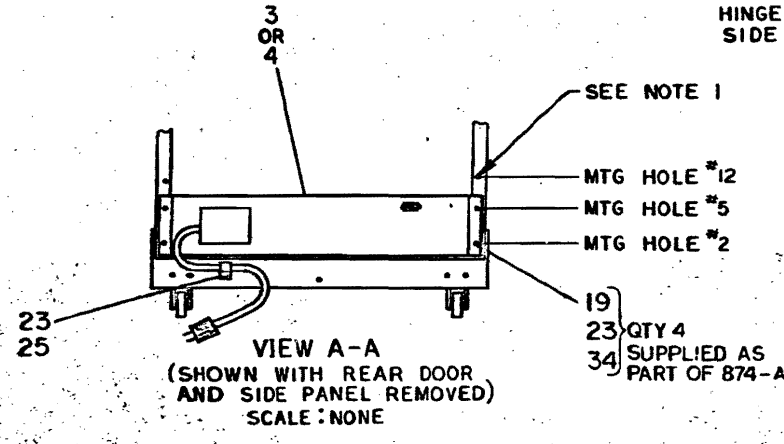
THIRD ANGLE PROJECTION	DRN: <i>[Signature]</i>	FIRST USED ON: TSV05
REMOVE BURRS AND BREAK SHARP CORNERS	ENG: <i>[Signature]</i>	TITLE: TSV05 INTERCONNECT CABLE
DO NOT SCALE DWG	PROJ. ENG: <i>[Signature]</i>	SIZE: D
MATERIAL: SEE PARTS LIST	PROJ. DIST: <i>[Signature]</i>	SCALE: NONE
FINISH: <i>[Symbol]</i>	NEXT HIGHER ASSY:	SHEET: 1 OF 1

DIA 7016855-0-0

1981

VARIATION	ITEM NO.	VOLTS	AMP	WATTS	HZ
TS05-BA	12	120	12	270	50/60
TS05-BB	13	240	12	270	50/60
TS05-BC	14	100	12	270	50/60
TS05-BD	15	220	12	270	50/60

- NOTES:**
1. MTG. HOLES #12 AND #50 ON REAR UPRIGHT USED FOR MOUNTING DOOR STOPS FOR REAR DOOR.
 2. FOR TORQUE REQ. REFER TO A-SP-7655328-00.
 3. INFORMATION FOR ITEM 24 TO BE OBTAINED FROM LEGEND.
 4. DO NOT FULLY TIGHTEN UNTIL TAPE TRANSPORT IS INSTALLED.
 5. USE ITEMS 30 AND 33 TO SECURE TAPE TRANSPORT POWER CORD TO CABINET RAIL. PLACE AC PLUG INTO TOP ROW, SWITCHED OUTLET, NEAREST THIS RAIL. SEE DETAIL C.
 6. PLACE ITEM 31, 49, 50, 51, AND THE 7422224/7422225 PORTION OF ITEM 11 INTO THE 9905012-17 ENVELOPE.
 7. REFER TO E-UA-H9544-B-0 FOR REAR DOOR MTG.
 8. REFER TO E-UA-H9544-D-0 FOR BEZEL MTG.
 9. REFER TO E-UA-H9544-J-0 FOR CABINET ADD ON KIT MTG.
 10. REFER TO E-UA-H9544-H FOR STABILIZER LEG MOUNTING.
 11. REFER TO A-PL-H9504-U FOR MOUNTING 10 1/2" PANELS.
 12. WHEN PACKAGING, REFER TO A-SP-TSV05-B.
 13. DROOP POWER CORD AS SHOWN, DROOP AT CENTER SHOULD BE 3 ± 1 IN.



CAUTION: OFF SHEET PARTS LIST REFER TO B-PL-TS05-B-0

12	13	14	15	16	17	18	19	20	21	22	23	24	25	30	31	32	33	34	35	36	37	38	39	41	42	43	44	45	46	47	49	50	51	52	53	54	55
----	----	----	----	----	----	----	----	----	----	----	----	----	----	----	----	----	----	----	----	----	----	----	----	----	----	----	----	----	----	----	----	----	----	----	----	----	----

REVISIONS

NO.	DESCRIPTION	DATE
1	ISSUED FOR PRODUCTION	1981

QUANTITY & VARIATION

DESCRIPTION

UNLESS OTHERWISE SPECIFIED, DIMENSIONS ARE IN INCHES

TITLE

CABINET ASSY. TOP LOADING (TS05)

SCALE: 1:1

digital PARTS LIST

				QUANTITY / VARIATION				NOTES:
DRN. <i>Alan Moniz</i>		DES. ENG. <i>James Doye</i>		MFG. ENG. <i>Fallblume</i>				1. CHASSIS TRAK SLIDES, P/W C-1436 22" SUPPLIED AS PART OF TS#5-A ASSY BY VENDOR. 2. ITEM #6 QTY SPECIFIED IN INCHES. 3. SUPPLIED AS PART OF TS#5-A ASSY.
DATE <i>17 MAY 82</i>		DATE <i>13 MAY 82</i>		DATE <i>14 MAY 82</i>				
CHK'D. <i>J. L. ...</i>		RESP. ENG. <i>James Doye</i>		NEXT HIGHER DOC.				
DATE <i>14 MAY 82</i>		DATE <i>13 MAY 82</i>						REFERENCE DESIGNATORS
ITEM NO.	DRAWING NO.	PART NO.	DESCRIPTION	TS#5-BA	TS#5-BB	TS#5-BC	TS#5-BD	
1	E-UA-H9542-F-β	H9542-FB	40" 10.5 TOP LOADING CAB FRAME	1	1	1	1	
2	E-UA-H9544-H-β	H9544-HC	STABILIZER LEG	1	1	1	1	
3	E-UA-874-A-β	874-A	120V, FILTERED POWER CONTROL	1	-	1	-	
4	E-UA-874-B-β	874-B	22β/24βV, FILTERED POWER CONTROL	-	1	-	1	
5	SEE NOTE 1		SLIDE, CHASSIS, 22"	REF	REF	REF	REF	
6		9009339-ββ	TAPE, CLOTH	32	32	32	32	
7	D-MD-7421820-β-β	7421820-β1	TRIM COVER, RIGHT	1	1	1	1	
8	D-MD-7421820-β-β	7421820-ββ	TRIM COVER, LEFT	1	1	1	1	
9	E-AD-7016864-β-β	7016864-ββ	TOP COVER ASSEMBLY	1	1	1	1	
10	E-UA-H9544-B-β	H9544-BA	H9544-B REAR DOOR	1	1	1	1	
11	E-UA-H9544-J-β	H9544-JA	H9544-J CABINET ADD-ON KIT	1	1	1	1	
12	D-AD-TS#5-A-β	TS#5-AA	12βV TRANSPORT	1	-	-	-	
13	D-AD-TS#5-A-β	TS#5-AB	24βV TRANSPORT	-	1	-	-	
14	D-AD-TS#5-A-β	TS#5-AC	1βV TRANSPORT	-	-	1	-	
15	D-AD-TS#5-A-β	TS#5-AD	22βV TRANSPORT	-	-	-	1	
16	D-UA-H9544-D-β	H9544-DB	H9544-D BEZEL ASSY	1	1	1	1	
17	B-PL-H9504-U-β	H9504-UA	BLANK BEZEL	2	2	2	2	
18	D-UA-H9544-D-β	H9544-DA	H9544-D BEZEL ASSY	1	1	1	1	
19		9007786-ββ	RETAINER, U-NUT, 10-32	8	8	8	8	
20		1213756-12	GROUND STRAP	1	1	1	1	

*QTY OF 2 USED ON H9544-DA

ECO NO.	TS#5- M001	TS#5- N001	TS#5-B M001	TITLE	ASSY. NO.	SIZE	CODE	NUMBER	REV.
<small>THIS DRAWING AND SPECIFICATIONS, HEREIN, ARE THE PROPERTY OF DIGITAL EQUIPMENT CORPORATION AND SHALL NOT BE REPRODUCED OR COPIED OR USED IN WHOLE OR IN PART AS THE BASIS FOR THE MANUFACTURE OR SALE OF ITEMS WITHOUT WRITTEN PERMISSION. COPYRIGHT © 1982 DIGITAL EQUIPMENT CORPORATION</small>				CABINET ASSY TOP LOADING (TS#5)	E-UA-TS#5-B-β	B	PL	TS#5-B-β	D
DRB 125A				SECTION	OF	SHEET		1	OF
									3

111

digital PARTS LIST

digital PARTS LIST				QUANTITY / VARIATION								NOTES:	
DES. ENG. DATE	DES. ENG. DATE	MFG. ENG. DATE		TS05-BA	TS05-BB	TS05-BC	TS05-BD						
CHK'D. DATE	RESP. ENG. DATE	NEXT HIGHER DOC. DATE											
ITEM NO.	DRAWING NO.	PART NO.	DESCRIPTION	TS05-BA	TS05-BB	TS05-BC	TS05-BD						REFERENCE DESIGNATORS
21		9010156-00	SCREW, HEX, SLOT SEMS 10-32 X .500	4	4	4	4						
22		9007651-00	WASHER, LOCK, EXTERNAL TOOTH #10	4	4	4	4						
23		9009700-00	SCREW, TRUS, PHL, SEMS 10-32 X .500	12	12	12	12						QTY OF 4 USED FOR MTG. H9544-BA
24	A-PS-3617674-00	3617674-00	LABEL, ELECTRICAL DATA	1	1	1	1						
25		9007082-00	CLAMP, CABLE, SCREW MTD. 5/16	1	1	1	1						
26		9006565-00	NUT, KEP 10-32	6	6	6	6						QTY OF 2 USED FOR MTG. H9544-BA
27		9006039-03	SCREW, TRUS, PHL 8-32 X 1/2	1	1	1	1						
28	SEE NOTE 1	9010395-01	SCREW, SELF TAP 12 X 3/8	1	1	1	1						
29		9009565-00	SPACER, NYLON .255 O.D. X .100 LG	1	1	1	1						
30		9009617-00	TIE, CABLE, SST 3 S	5	5	5	5						
31	C-IA-7008288-00	7008288-00	CABLE ASSY PDP-11	1	1	1	1						
32		3613272-00	LABEL, ADH BACK, MYLAR CAP (GND)	3	3	3	3						
33		9007867-00	CABLE, PUSH TIE MOUNT	5	5	5	5						
34		9006664-00	WASHER, FLAT #10	6	6	6	6						QTY OF 6 USED ON H9544-DA & H9544-DB
35		9905012-17	BUBBLITE ENVELOPE	1	1	1	1						
36	A-PS-3617880-00	3617880-00	LABEL, FCC	1	1	-	1						
37	A-PS-3613211-00	3613211-00	LABEL, ADH. BACK, CSA PRINTED	-	-	-	-						
38	A-PS-3612449-00	3612449-00	LABEL, ADH. BACK, UL PRINTED	1	1	-	1						
39	A-PS-3618307-00	3618307-00	BOOKLET, FCC STATEMENT, W/POBCH	1	1	-	1						
40													

ECO NO.	THIS DRAWING AND SPECIFICATIONS, HEREIN, ARE THE PROPERTY OF DIGITAL EQUIPMENT CORPORATION AND SHALL NOT BE REPRODUCED OR COPIED OR USED IN WHOLE OR IN PART AS THE BASIS FOR THE MANUFACTURE OR SALE OF ITEMS WITHOUT WRITTEN PERMISSION. COPYRIGHT © 1982 DIGITAL EQUIPMENT CORPORATION	TITLE	ASSY. NO.	SIZE	CODE	NUMBER	REV.
		CABINET ASSY TOP LOADING (TS05)	E-UA-TS05-B-0	B	PL	TS05-B-0	D
			SECTION	OF		SHEET 2	OF 3

DRB 125A

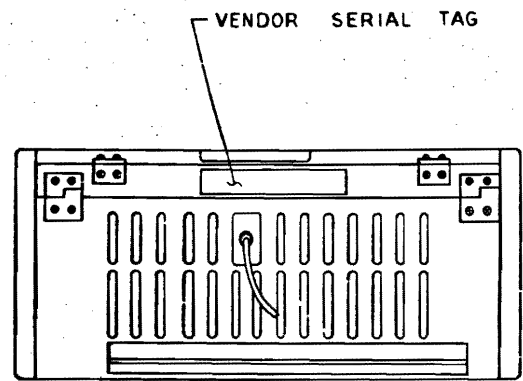
NW

8 7 6 5 4 3 2 1

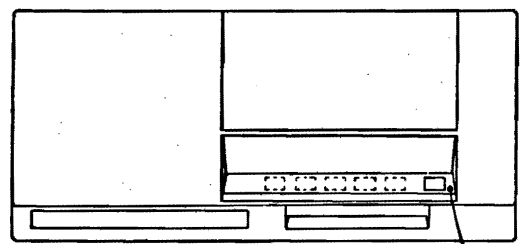
THIS DRAWING AND SPECIFICATIONS HEREIN ARE THE PROPERTY OF DIGITAL EQUIPMENT CORPORATION AND SHALL NOT BE REPRODUCED OR COPIED OR USED IN WHOLE OR IN PART AS THE BASIS FOR THE MANUFACTURE OR SALE OF ITEMS WITHOUT WRITTEN PERMISSION.
 COPYRIGHT © 1982, DIGITAL EQUIPMENT CORPORATION

0-V-90SI 2

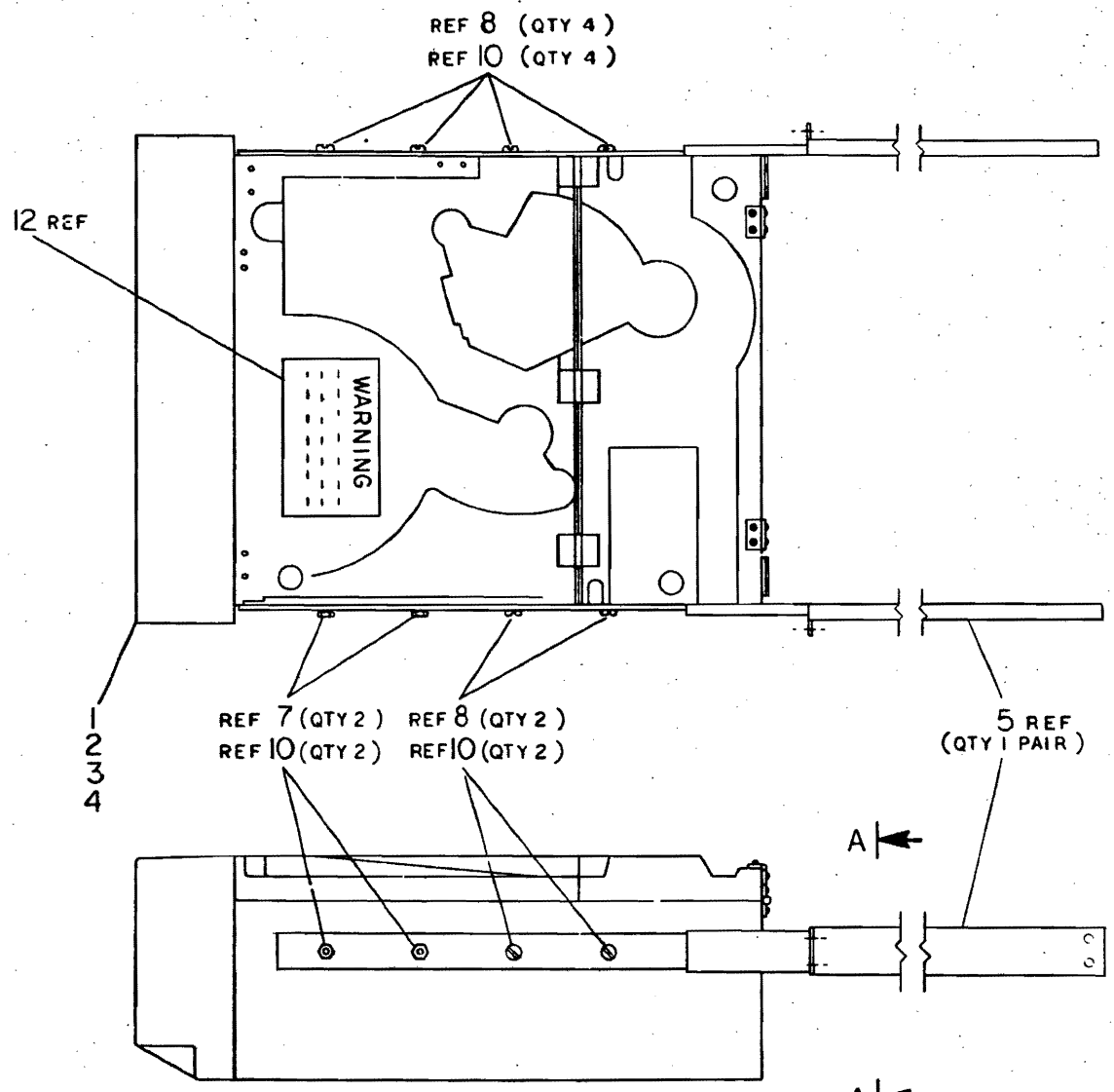
- NOTES:**
1. REF ITEMS SUPPLIED WITH 3019691. TAPE TRANSPORT
 2. TORQUE MOUNTING HARDWARE PER 7665328 SPECIFICATION
 3. THE FOLLOWING ITEMS ARE SUPPLIED WITH THE TS05-A ASSEMBLY FOR MOUNTING
 - NINE (9) 10-32 X .38 LG SCREWS
 - NINE (9) 10-32 KEPNUTS
 - ONE (1) 8-32 X .38 LG SCREWS
 - ONE (1) LOCKING BRACKET



VIEW A-A



11 REF



CAUTION: OFF SHEET PARTS LIST EXISTS
 SEE B-PL-TS05-A-0

REV. B	1505-A-NUS01	D
REV. A	1505-A-NUS01	B
REV. 1	1505-A-NUS01	A

QUANTITY & VARIATION	DESCRIPTION	DWG. PART NO.	ITEM NO.											
	UNLESS OTHERWISE SPECIFIED DIMENSIONS ARE IN INCHES													
THIRD ANGLE PROJECTION	ANGLES 90° 30'	CLASS OF ACCURACY (CHECK ONE)	NOMINAL DIMENSION RANGE INCHES											
	REMOVE BURRS AND BREAK SHARP CORNERS	MEDIUM	<table border="1"> <tr> <td>OVER 0 TO 0.2</td> <td>OVER 0.2 TO 1.2</td> <td>OVER 1.2 TO 4.0</td> <td>OVER 4.0 TO 12.0</td> <td>OVER 12.0 TO 40.0</td> <td>OVER 40.0 TO 80.0</td> </tr> <tr> <td>±.004</td> <td>±.005</td> <td>±.012</td> <td>±.018</td> <td>±.024</td> <td>±.031</td> </tr> </table>	OVER 0 TO 0.2	OVER 0.2 TO 1.2	OVER 1.2 TO 4.0	OVER 4.0 TO 12.0	OVER 12.0 TO 40.0	OVER 40.0 TO 80.0	±.004	±.005	±.012	±.018	±.024
OVER 0 TO 0.2	OVER 0.2 TO 1.2	OVER 1.2 TO 4.0	OVER 4.0 TO 12.0	OVER 12.0 TO 40.0	OVER 40.0 TO 80.0									
±.004	±.005	±.012	±.018	±.024	±.031									
DO NOT SCALE DWG	PREFERRED	±.012	±.018	±.025	±.04	±.063	±.1							
MATERIAL SEE PARTS LIST	FINISH	FIRST USED ON												
SCALE NONE	---	TS05												
SHEET	OF	TITLE												
		TRANSPORT ASSEMBLY												
		SIZE	NUMBER											
		D	AD TS05-A-0											
		DIST.	REV. B											

digital PARTS LIST				QUANTITY / VARIATION				NOTES:	
DRN. <i>Alan Moricello</i>		DES. ENG. <i>Marcos Lando</i>		MFG. ENG.				1. THESE ITEMS SUPPLIED WITH 3019691 TAPE TRANSPORT.	
DATE <i>17 MAY 82</i>		DATE <i>14 MAY 82</i>		<i>Job (Llanos 11-0-14 82)</i>					
CHK'D. <i>D. Gere</i>		RESP. ENG. <i>Marcos Lando</i>		NEXT HIGHER DOC.					
DATE <i>14 MAY 82</i>		DATE <i>14 MAY 82</i>							
ITEM NO.	DRAWING NO.	PART NO.	DESCRIPTION	TS05-AA	TS05-AB	TS05-AC	TS05-AD	REFERENCE DESIGNATORS	
1		3019691-01	TAPE TRANSPORT 100V	-	-	1	-		
2		3019691-02	TAPE TRANSPORT 120V	1	-	-	-		
3		3019691-03	TAPE TRANSPORT 220V	-	-	-	1		
4		3019691-04	TAPE TRANSPORT 240V	-	1	-	-		
5	SEE NOTE 1		CHASSIS SLIDES 22 INCH C1436	REF	REF	REF	REF		
6	C-10-7431023-01	7431023-01	RAIL SLIDE STOP	1	1	1	1		
7	SEE NOTE 1		SCREW, COUNTERSUNK 10-32	REF	REF	REF	REF		
8	SEE NOTE 1		SCREW, PAN HD. 10-32	REF	REF	REF	REF		
9		9006036-03	SCREW, PAN. TRUSS HD. 10-32 X 7/8	4	4	4	4		
10	SEE NOTE 1		NUT, KEP 10-32	REF	REF	REF	REF		
11	SEE NOTE 1		FRONT PANEL LOGO	REF	REF	REF	REF		
12	SEE NOTE 1		WARNING LABEL	REF	REF	REF	REF		
13		9010395-01	SCREW, SHEETMETAL #12 X 3/8	2	2	2	2		
14		9006363-01	NUT, KEP 10-32	4	4	4	4		

ECO NO.
TS05-
N11001

THIS DRAWING AND SPECIFICATIONS, HEREIN ARE THE PROPERTY OF DIGITAL EQUIPMENT CORPORATION AND SHALL NOT BE REPRODUCED OR COPIED OR USED IN WHOLE OR IN PART AS THE BASIS FOR THE MANUFACTURE OR SALE OF ITEMS WITHOUT WRITTEN PERMISSION
 COPYRIGHT © 1982 DIGITAL EQUIPMENT CORPORATION

TITLE
TRANSPORT ASSEMBLY

ASSY. NO.
D-AD-TS05-A-0

SIZE CODE
B PL

NUMBER
TS05-A-0

REV.
B

SECTION OF SHEET 1 OF 1

DRB 125A

1/1