



DIGITAL EQUIPMENT CORPORATION MAYNARD, MASSACHUSETTS				PARTS LIST								QUANTITY/VARIATION						
MADE BY <i>R. Barry</i>		CHECKED <i>D. Healy</i>	SECTION	ITEM NO.	DWG NO. / PART NO.	DESCRIPTION	H777-AA	H777-AB	H777-BA	H777-BB	H777-CA	H777-CB	H777-DA	H777-DB				
DATE <i>26 Aug 76</i>		DATE <i>29 JUL 76</i>	ISSUED SECT.															
ENG <i>R. Barry</i>		PROD <i>R. Barry</i>	ISSUED SECT.															
23	C-1A-7413773-0-0	BRACKET, PAN		2	2	2	2	2	2	2	2	2	2					
24	1210904-05	INS SHEET 9.0±.1 X 1.5±.1	A/NA/BA/BB/CA/CB/DA/DB															
25	B-DC-7414744-0-0	DECAL H777 P.S.		1	1	1	1											
26	A-PB-3612600-0-0	DECAL, CHASSIS GROUND		2	2	2	2	2	2	2	2	2	2					
27	C-1A-7011412-0P	CABLE, CHASSIS GROUND		1	1	1	1	1	1	1	1	1	1					
28	C-1A-7011412-1H	CABLE, CONSOLE GROUND						1	1	1	1	1	1					
29	D-CB-5411599-0-1	CORE REG. H777		1	1			1	1									
30	9007015	GROMMET						1	1	1	1	1	1					
31	D-1A-7417407-0-0	CHASSIS P.S.						1	1	1	1	1	1					
32	D-AD-7012910-0-0	A/C INPUT ASSY (120V)						1	1									
33	D-AD-7012910-1-0	A/C INPUT ASSY (230V)						1	1									
34	E-1A-7417018-0-0	COVER, POWER SUPPLY						1	1	1	1	1	1					
35	A-PS-1213773-0-0	AC RECTIFIER						1	1	1	1	1	1					
36	A-PB-1212877-0-0	FILTER						1	1	1	1	1	1					
37	D-AD-7012909-0-0	+5V REGULATOR ASSY						1	1	1	1	1	1					
38	9009771-1-0	CABLE CLAMP						2	2	2	2	2	2					
39	9006024-01	SCREW, PAN #6 - 32 x .50						1	1	1	1	1	1					
40	9009404-2	SCR. PAN HD PAN #6 - 32 x .31		4	4	4	4	4	4	4	4	4	4					
41	9107259-02	TUNING, SHALINK (OMN)						1	1	1	1	1	1					
42	C-1A-7417288-0-0	WIRE A.C. COND. RESISTOR						1	1	1	1	1	1					
43	B-DC-7414744-1-0	DECAL H777 P.S.						1	1	1	1	1	1					
44	9006037-1	SCR, PHIL PAN HD #6 - 32 x .38						1	1	1	1	1	1					
TITLE POWER SUPPLY ASSY (H777)			ASSY NO. E-UA-H777-0-0	SIZE A	CODE PL	NUMBER H777-0-0	REV N	ECO NO.										
SHEET 2 OF 3			DIST															

DEC FORM DEC 16 (335) 1031 NH70  
ORA 110

DIGITAL EQUIPMENT CORPORATION MAYNARD, MASSACHUSETTS				PARTS LIST								QUANTITY/VARIATION						
MADE BY <i>R. Barry</i>		CHECKED <i>D. Healy</i>	SECTION	ITEM NO.	DWG NO. / PART NO.	DESCRIPTION	H777-AA	H777-AB	H777-BA	H777-BB	H777-CA	H777-CB	H777-DA	H777-DB				
DATE <i>26 Aug 76</i>		DATE <i>29 JUL 76</i>	ISSUED SECT.															
ENG <i>R. Barry</i>		PROD <i>R. Barry</i>	ISSUED SECT.															
45	9006634	WASHER INT. TOOTH LOCK #6								1	1	1	1					
46	9006011-1	SCR PH HD PAN #4 - 40 x .38								2	2	2	2					
48	9006632	WASHER INT. TOOTH LOCK #6								2	2	2	2					
49	9008020-02	SCR, PHIL FLAT HD #6-32 x .18		1	1	1	1											
50	7011411-1L	CABLE, CONSOLE CONTROL						REF	REF	REF	REF	REF	REF					
51	9006022-03	SCR. PHIL. TRUSS #6-32 x .38						4	4	2	2							
52	C-1A-7013938-1	CABLE JUMPER						1	1	1	1	1	1					
53	C-1A-7013938-0	CABLE JUMPER						1	1	1	1	1	1					
54	C-1A-7013938-0	CABLE GROUNDING						1	1	1	1	1	1					
55	C-1A-7420323-00	AC POWER CORD W/LABLE (120V)						1	1									
56	C-1A-7420323-01	AC POWER CORD W/LABLE (240V)						1	1									
57	9006656	WASHER, FLAT		4	4	2	2	3	3	1	1							
58	9006025-01	SCR, PAN PHIL #6-32 x 5/8		3	3	3	3	3	3	3	3	3	3					
59	9006560	NUT, KEP 6-32		3	3	3	3	3	3	3	3	3	3					
60	7011412-3C	CABLE ASSY		1	1	1	1											
61	9006561	NUT, HEX #6-32		1	1	1	1											
62	7011414-1P	CABLE, CONSOLE CONTROL		REF	REF	REF	REF											
63	9009255-00	LABEL		1	1	1	1	1	1	1	1	1	1					
64	1614833	LABEL, WARNING						1	1	1	1	1	1					
TITLE POWER SUPPLY ASSY (H777)			ASSY NO. E-UA-H777-0-0	SIZE A	CODE PL	NUMBER H777-0-0	REV N	ECO NO.										
SHEET 3 OF 3			DIST															

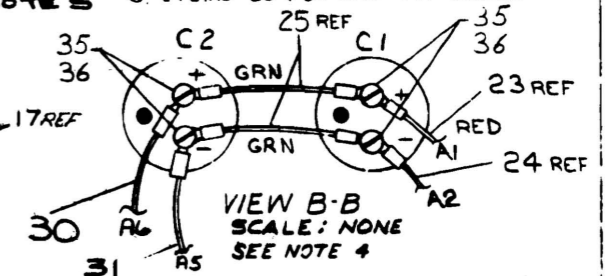
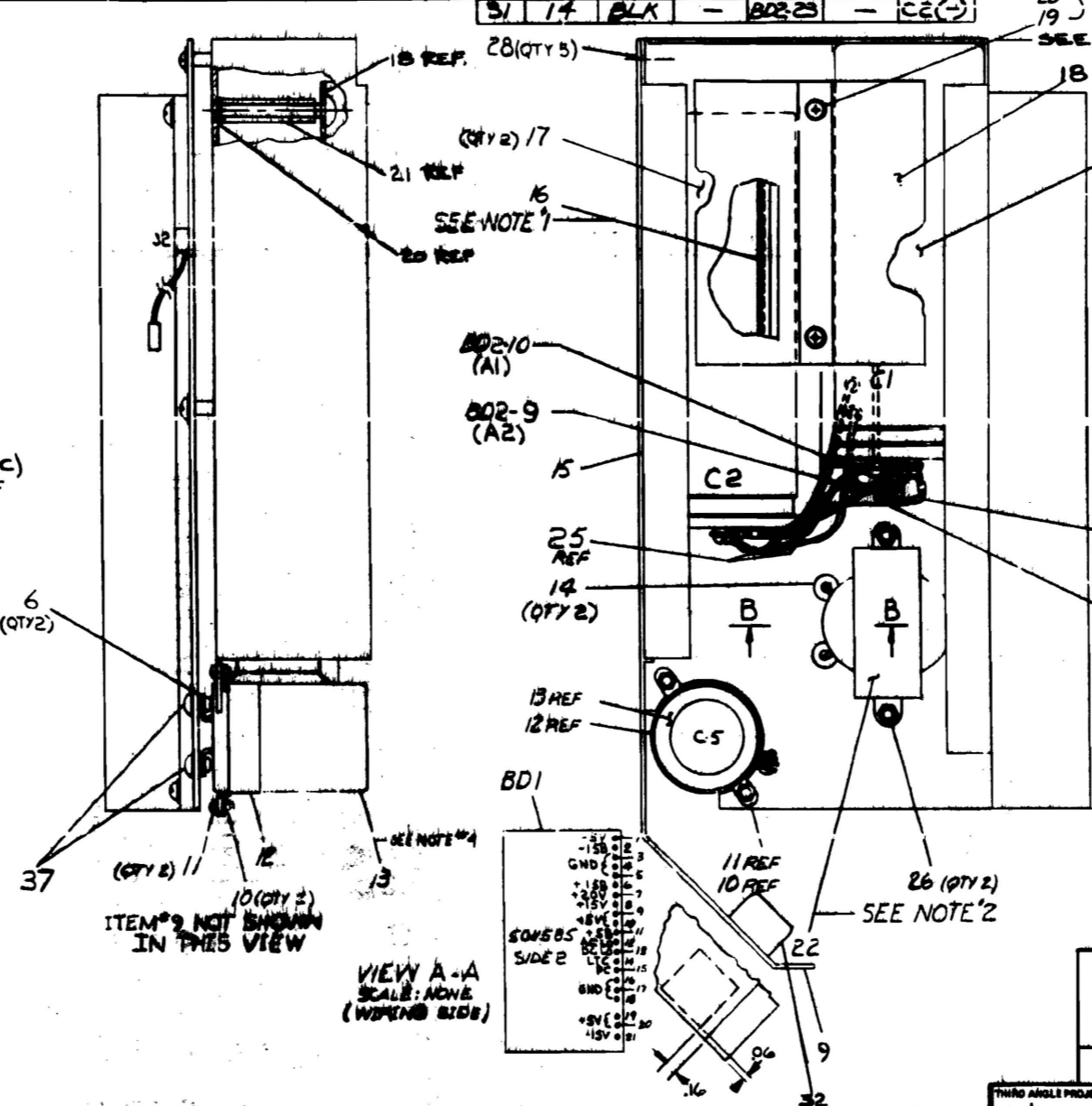
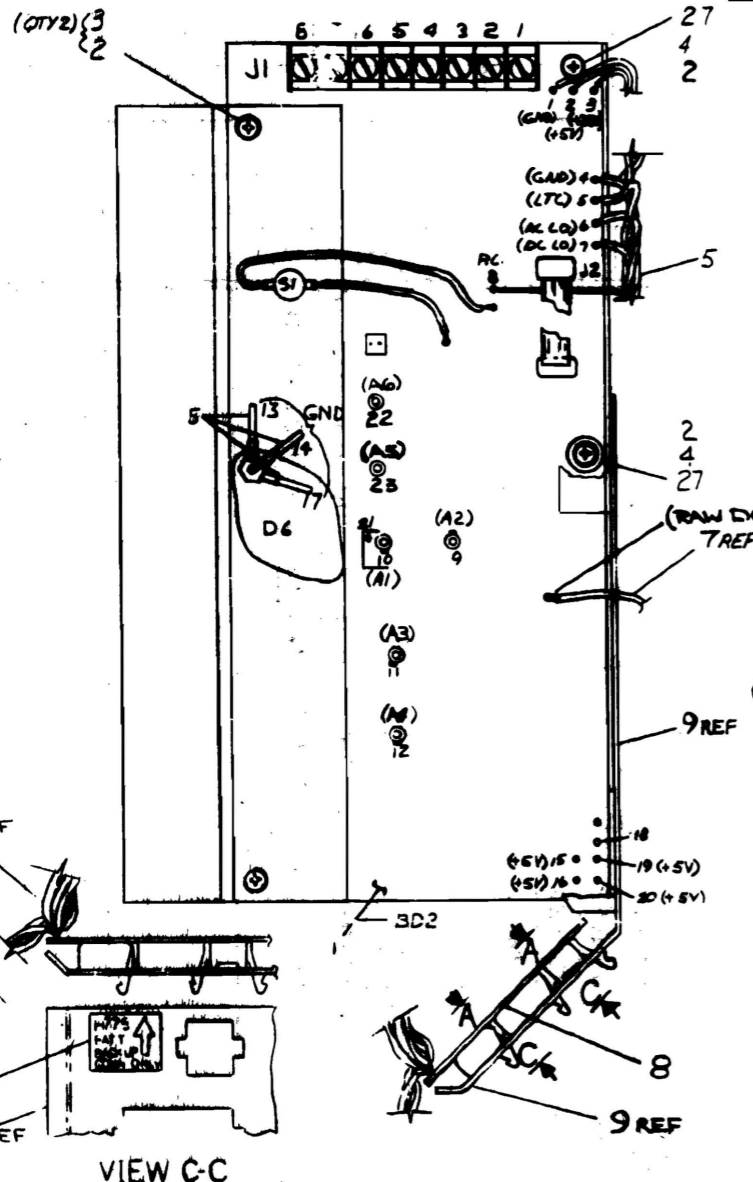
DIGITAL EQUIPMENT CORPORATION MAYNARD, MASSACHUSETTS				PARTS LIST								QUANTITY/VARIATION						
MADE BY <i>R. Barry</i>		CHECKED <i>D. Healy</i>	SECTION	ITEM NO.	DWG NO. / PART NO.	DESCRIPTION	H777-AA	H777-AB	H777-BA	H777-BB	H777-CA	H777-CB	H777-DA	H777-DB				
DATE <i>26 Aug 76</i>		DATE <i>29 JUL 76</i>	ISSUED SECT.															
ENG <i>R. Barry</i>		PROD <i>R. Barry</i>	ISSUED SECT.															
1	D-1A-7011248-0-0	CHASSIS ASSY P.S.		1	1	1	1											
2	9007031-05	TIE WRAP	A/NA/BA/BB/CA/CB/DA/DB															
3	D-AD-7011075-0-0	A/C INPUT ASSY (120V)		1														
4	D-AD-7011075-1-0	A/C INPUT ASSY (230V)		1														
5	9007035	GROMMET CAT.	A/NA/BA/BB/CA/CB/DA/DB															
6	9006563	NUT, KEPS #6 - 32		2	2	2	2	2	2	2	2	2	2					
7	E-MD-7413825-0-0	COVER, POWER SUPPLY		1	1	1	1											
8	D-AD-7011073-0-0	+5V REGULATOR ASSY		1	1	1	1											
9	D-CB-5411601-0-1	MOS. REG. H777		1	1	1	1	1	1	1	1	1	1					
10	9006021-01	SCR, PHL HD PAN #6 - 32 x .31		4	4	2	2	3	3	1	1							
11	9008509	STRAIN RELIEF		2	1	1	1											
12	D-1A-7012320-0	POWER CORD (115V)		1														
13	D-1A-7012320-1	POWER CORD (230V)																
14	9006022-1	SCR, PHIL HD PAN #6-32 x .38		6	6	4	4											
15	9006632	WASHER, INT. TOOTH #6		10	10	6	6	3	3	1	1							
16	9009771-02	CLAMP		4	2	2	2											
17	1209403-01	FAN, BOXER 115V, 50/60 Hz		1	1	1	1	1	1	1	1	1	1					
18	9006020-2	SCR, PHIL FLAT HD #6 - 32 x .25		7	7	7	7											
19	9008185	NUT, KEPS #6 - 32						2	2	2	2	2	2					
20	9006022-1	SCR, PHIL HD PAN #6 - 32 x .38		6	6	4	4											
21	9006074-3	SCR., PHIL TRUSS #10 - 32 x .62		4	4	4	4	4	4	4	4	4	4					
22	9007661	WASHER, INT. TOOTH #10		4	4	4	4	4	4	4	4	4	4					
TITLE POWER SUPPLY ASSY (H777)			ASSY NO. E-UA-H777-0-0	SIZE A	CODE PL	NUMBER H777-0-0	REV N	ECO NO.										
SHEET 1 OF 3			DIST															

THIS DRAWING AND SPECIFICATIONS HEREIN ARE THE PROPERTY OF DIGITAL EQUIPMENT CORPORATION AND SHALL NOT BE REPRODUCED OR COPIED IN WHOLE OR IN PART WITHOUT WRITTEN PERMISSION. COPYRIGHT © 1971, DIGITAL EQUIPMENT CORPORATION

WIRE CHART

ITEM NO	DESCRIPTION				ITEM NO	DESCRIPTION				ITEM NO	DESCRIPTION			
	AWG	COLOR	POINT NO	CONN		AWG	COLOR	POINT NO	CONN		AWG	COLOR	POINT NO	CONN
5	20	WHT	1	BD2-8	18	BD1-15	7	14	BLK	28	BD2-18	11	BD1-4	
	14	BRN	2	2	9	1		18	GRY	4	BD1-8	9	-	
	14	BLK	3	1	12	5		14	WHT	5	BD1-6	10	-	
	14	ORN	4	3	15	7		14	RED	6	BD2-21	13	-	
	20	BRN	5	5	19	14		18	GRN	7	BD1-2	12	-	
	20	BLK	6	4	20	16		25	14	GRN	-	C1(+)	-	C2(+)
7	20	YEL	7	6	16	12	14	GRN	-	C1(-)	-	C2(-)		
	20	VIO	8	7	17	13	18	BLU	1	BD2-20	25	BD1-20		
	14	BLK	30	BD2-17	10	BD1-3	14	BLK	2	BD1-18	8	-		
	18	RED	9	BD1-11	14	-	18	RED	9	BD2-9	-	C1(-)		
	30	14	RED	-	BD2-22	-	C2(-)	22	-	BARE	-	-	BD2-11	
	30	14	RED	-	BD2-22	-	C2(-)	22	-	BARE	-	-	BD2-2	
30	14	RED	-	BD2-22	-	C2(-)	30	14	BLK	-	BD2-23	-	C2(-)	

- NOTES:
- USE ITEM #6 (GROMMET) TO COVER RAW METAL EDGES UNDER CAPACITORS.
  - LEADS FROM ITEMS #22, 23 & 24 ARE TO BE CUT FLUSH WITH TOP OF CLAMPS ON ITEM #1. A1, A2, A3 & A4
  - \* ASTERISK INDICATES THAT THESE CONN. ALREADY HAVE BEEN MADE ON PLUG PI ON HARNESS D-IA-7011801-0-0 THEY ARE SHOWN FOR REF ONLY.
  - ITEMS #17 & #13 ARE TO HAVE THEIR ELECTRICAL CONNECTIONS TORQUUED TO 12 IN-LBS (-0, +10) IN-LBS.
  - BEING SCREW TO A NO SACK POSITION, THEN TIGHTEN WITH 1/2 TO 3/4 TURN ONLY.
  - ITEMS #33 & #34 ARE NOT SHOWN.



OFF SHEET PARTS LIST  
SEE A-PI-7012909-0-0

DESCRIPTION	DWG. PART NO.	ITEM NO.
BUMPER	9007624	32
JUMPER, BLK	B-IA-7011802-0-0	31
JUMPER, RED	B-IA-7011801-0-0	30
DECAL	A-DC-7016911-00	29
SCR FLAT HD #6-32 X.25	9006020-2	28
WASHER NYLON #8	9006708	27
NUT REPS #8-32	9006548	26
JUMPER (BRN)	B-IA-7011800-0-0	25
JUMPER (BLK)	B-IA-7011802-0-0	24
JUMPER (RED)	B-IA-7011801-0-0	23
SCREW	14/32 X 1/2	22
WASHER HEX #8 X 1.25	9006483	21
WASHER DUTY TOOTH LOCK #8	9006684	20
SCR PHIL HD PAN #6-32 X.36L	9006020-1	19
CLAMP CAPACITOR	C-MP-7417408-00	18
CAPACITOR 20 KVF 50V	1010782	17
GROMMET CERAMIC	9007035	16
BUMPER CAPACITOR	B-IA-7011748-1-0	15
GROMMET RUBBER	9007017	14
CAPACITOR 3700PF (60VDC)	1012780-00	13
CLAMP CAPACITOR	9009052	12
SCR PHIL HD PAN #6-32 X.25L	9006020-1	11
NUT REPS #8-32	9006185	10
PLATE CAPACITOR CONN SIDE	D-IA-7417017-0-0	9
BOARD PWR DISTR H777	D-ES-001504-0-1	8
HARNESS BD REG ASS PWR DISTR	D-IA-7011800-0-0	7
WASH 1/8 X 1/8 O.D. X 1/8 I.D. X .036	9006660	6
HARNESS HTTY +5V REG	D-IA-7011817-0-0	5
SCR PHIL HD PAN #6-32 X.3/4	9006021-1	4
SCR PHIL HD PAN #6-32 X.50L	9006021-1	3
WASHER DUTY TOOTH LOCK #8	9006683	2
H777+5V REG (REV L UP)	D-ES-001504-0-1	1

REV.	DESCRIPTION	DATE
1	H777-B-00006	11/17/77
2	R. COLEMAN	11/17/77
3	H777-00002	11/17/77
4	R. COLEMAN	11/17/77
5	H777-00011	11/17/77
6	R. COLEMAN	11/17/77
7	H777-00012	11/17/77
8	R. COLEMAN	11/17/77
9	H777-00013	11/17/77
10	R. COLEMAN	11/17/77

THIRD ANGLE PROJECTION

QUANTITY & VARIATION

UNLESS OTHERWISE SPECIFIED DIMENSIONS ARE IN INCHES

ANGLE	AS MANUFACTURED	AS SHOWN	AS SHOWN	AS SHOWN	AS SHOWN	AS SHOWN
90°	±.000	±.000	±.000	±.000	±.000	±.000
45°	±.000	±.000	±.000	±.000	±.000	±.000
30°	±.000	±.000	±.000	±.000	±.000	±.000
15°	±.000	±.000	±.000	±.000	±.000	±.000
0°	±.000	±.000	±.000	±.000	±.000	±.000

FIRST USED ON: H777-CLD

TITLE: +5V REG ASSY

SIZE: D

CODE: AD

NUMBER: 7012909-0-0

REV. E

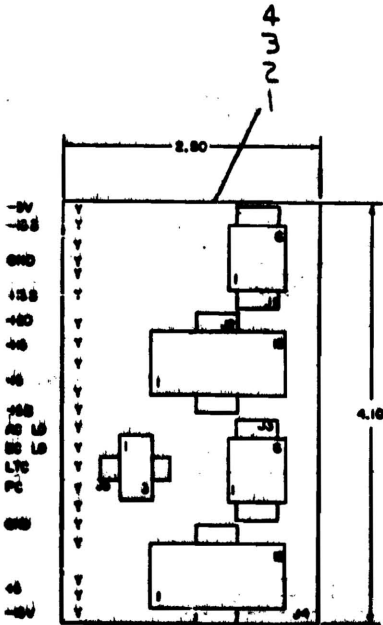
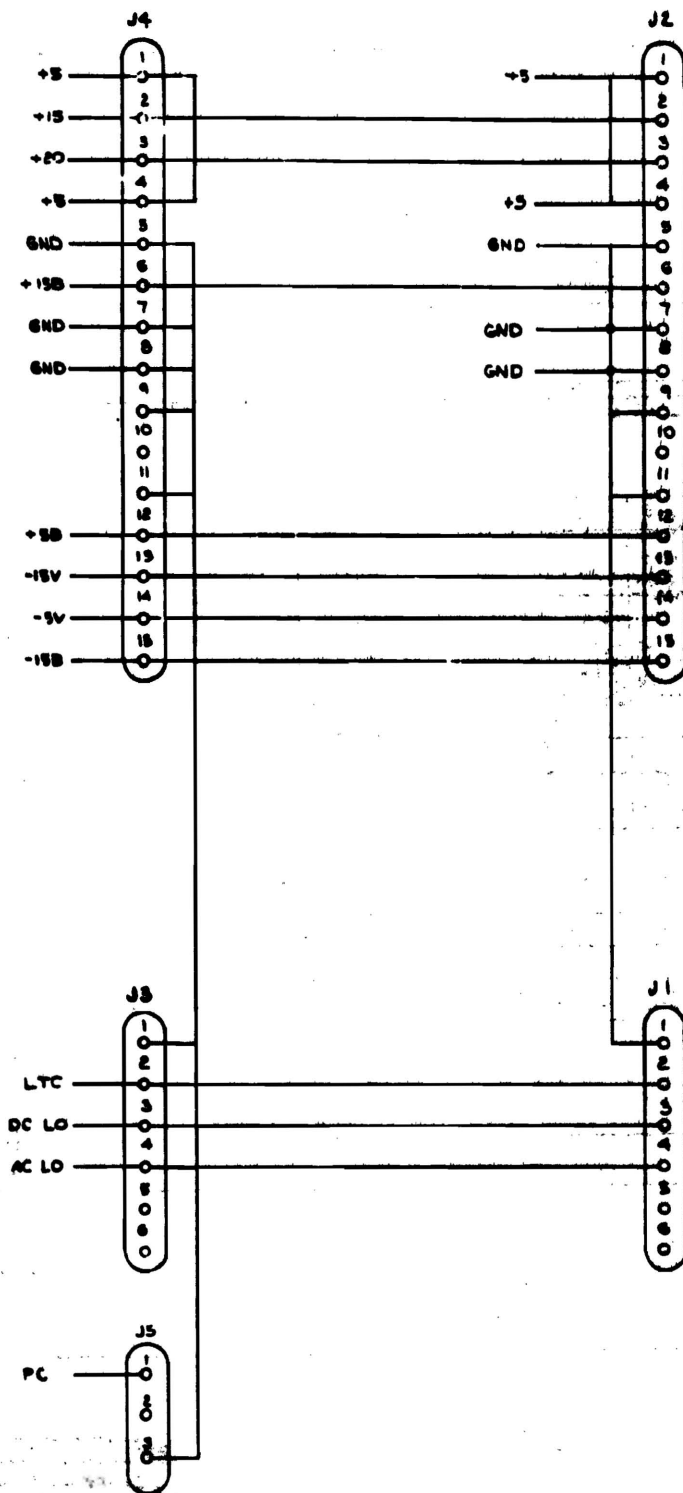
DIGITAL EQUIPMENT CORPORATION MAYNARD, MASSACHUSETTS <b>PARTS LIST</b>				QUANTITY / VARIATION											
MADE BY S. ROCHA		CHECKED D. HEALY		SECTION 1											
DATE 29 JUL 76		DATE 2 AUG 76													
ENG R. COURTMACHE		PROD R. BARRY		ISSUED SECT. 1											
DATE 13 SEP 76		DATE 13 SEP 76													
ITEM NO.	DWG NO. / PART NO.	DESCRIPTION													
1	D-CS-5412667-0-1	H777 +5V REG (REV & UP)				1									
2	9006633	WASHER, INT TOOTH LOCK #6				4									
3	9006025-01	SCR PHIL HD PAN #6-32 x .62L				2									
4	9006023-01	SCR PHIL HD PAN #6-32 x .44L				2									
5	D-IA-7011415-0-0	HARNES H777 +5V REG				1									
6	9006660	WASH, .375 O.D. x .137 I.D. x .036				2									
7	D-IA-7011560-0-0	HARNES BD MOS REG PWR DIST				1									
8	D-CS-541586-0-1	BOARD, PWR DISTR. H777				1									
9	D-IA-7417017-0-0	PLATE, CAPACITOR CONN SIDE				1									
10	9008185	NUT KEPS #6-32				2									
11	9006020-1	SCR PHIL PAN HD #6-32 x .25L				2									
12	9009052	CLAMP CAPACITOR				1									
13	1012740-00	CAPACITOR 3900uf 16.0V (65)				1									
14	9007017	GROMMET RUBBER				2									
15	E-IA-7413743-1-0	BRACKET CAPACITOR				1									
16	9007035	GROMMET CATERPILLAR				A/R									
17	1010702	CAPACITOR 24Kuf 50V				2									
18	C-MD-7417408-0-0	CLAMP CAPACITOR				1									
19	9009836-1	SCR PHIL HD TRUSS #8-32 x .38L				2									
20	9006634	WASHER INT TOOTH LOCK #8				2									
21	9008258	SPACER HEX #8-32 x 1.375				2									
22	1612584	CHOKE				1									
TITLE +5V REG ASSY				ASSY NO. D-AD-7012909-0-0		SIZE CODE <b>A PL</b>		NUMBER 7012909-0-0				REV. <b>E</b> 7012909-0-0			
				SHEET 1 OF 2		DIST.									

DEC FORM DEC 16-(325)-1031-N870  
ORA 110

DIGITAL EQUIPMENT CORPORATION MAYNARD, MASSACHUSETTS <b>PARTS LIST</b>				QUANTITY / VARIATION											
MADE BY S. ROCHA		CHECKED D. HEALY		SECTION 1											
DATE 29 JUL 76		DATE 2 AUG 76													
ENG R. COURTMACHE		PROD R. BARRY		ISSUED SECT. 1											
DATE 13 SEP 76		DATE 13 SEP 76													
ITEM NO.	DWG NO. / PART NO.	DESCRIPTION													
23	B-IA-7011801-0-0	JUMPER (RED)				1									
24	B-IA-7011802-0-0	JUMPER (BLK)				1									
25	B-IA-7011800-0-0	JUMPER (GRN)				2									
26	9006563	NUT KEPS #8-32				2									
27	9006707	WASHER NYLON #6				2									
28	9000039-07	SCR, FLAT HD #6-32 x .25				5									
29	A-DC-7416911-0-0	DECAL, BATT BACKUP				1									
30	B-IA-7011801-0-1	JUMPER, RED				1									
31	B-IA-7011802-0-1	JUMPER, BLK				1									
32	9009624	BUMPER				1									
33	9009255-00	LABEL				1									
34	9007031	CABLE TIE				2									
35	9006071-01	SCR PAN HD #10-32 x .37				4									
36	9006636	WASHER LOCK INT .350 OD x .200 ID x .022THK				4									
37	9009667	SCR, SEMS, SLOTTED BINDER HD #10-32 x 5/16				2									
TITLE +5V REG ASSY				ASSY NO. D-AD-7012909-0-0		SIZE CODE <b>A PL</b>		NUMBER 7012909-0-0				REV. <b>E</b> 7012909-0-0			
				SHEET 2 OF 2		DIST.									

THIS DRAWING AND SPECIFICATIONS ARE THE PROPERTY OF DIGITAL EQUIPMENT CORPORATION. THEY SHALL NOT BE REPRODUCED OR COPIED IN WHOLE OR IN PART AS THE BASIS FOR THE MANUFACTURE OF ANY OR OTHER EQUIPMENT WITHOUT WRITTEN PERMISSION OF DIGITAL EQUIPMENT CORPORATION.

**NOTES:**

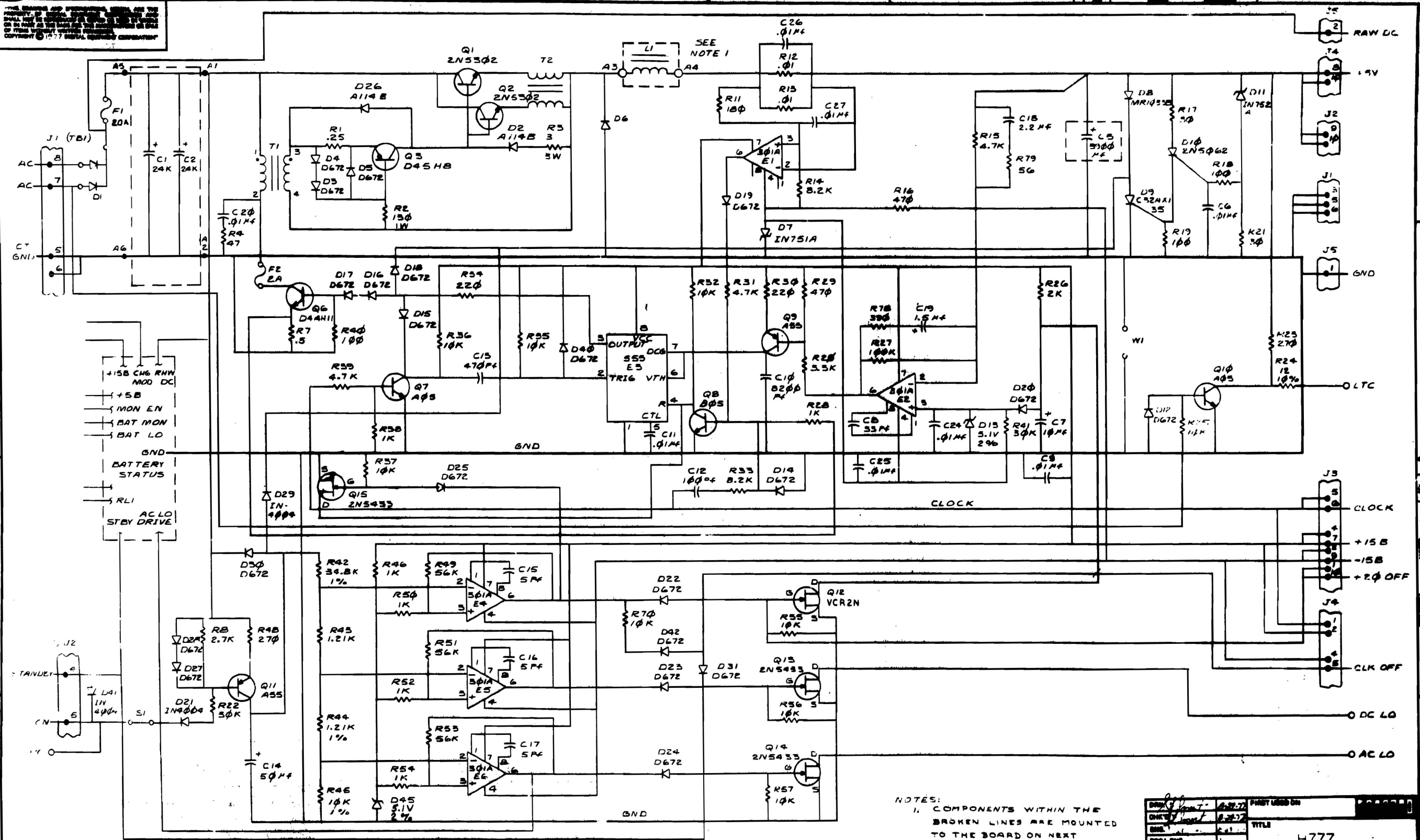


REF	X-Y COORDINATE HOLE LOCATION	K-CD-5411586-0-1	1	
REF	ASBY DRILLING HOLE LAYOUT	D-MN-5411586-0-3	2	
REF	MODULE ECO HISTORY	B-MN-5411586-0-6	3	
1	ETCHED CIRCUIT BOARD	5011585	4	
2	J2, J4	CONN., MATE-N-LOCK, 15 PIN HOUSING	1209350-15	5
2	J1, J3	CONN., MATE-N-LOCK, 6 PIN HOUSING	1209350-06	6
45	PN CONTACT, MATE-N-LOCK	1209456-01	7	
1	J5	CONN., MATE-N-LOCK, 3 PIN HOUSING	1209350-03	8

IC TYPE	QTY	REF	DESCRIPTION

FIRST USED ON OPTION BOARD 1154 PWR SUPPLY		QTY	REF DESIGNATION	DESCRIPTION	PART NO.	ITEM NO.
PARTS LIST						
DIGITAL EQUIPMENT CORPORATION NORTH ANDREWS STREET CAMBRIDGE, MASSACHUSETTS 02142				TITLE		
BOARD, POWER DISTRIBUTION H777				PART NO.		
DCS 5411586-0-1				REV		C

THE DESIGN AND SPECIFICATIONS ARE THE PROPERTY OF GENERAL ELECTRIC. THIS DOCUMENT IS TO BE KEPT IN CONFIDENTIALITY AND NOT TO BE REPRODUCED OR DISSEMINATED IN ANY MANNER WITHOUT THE WRITTEN PERMISSION OF GENERAL ELECTRIC. COPYRIGHT © 1977 GENERAL ELECTRIC COMPANY.



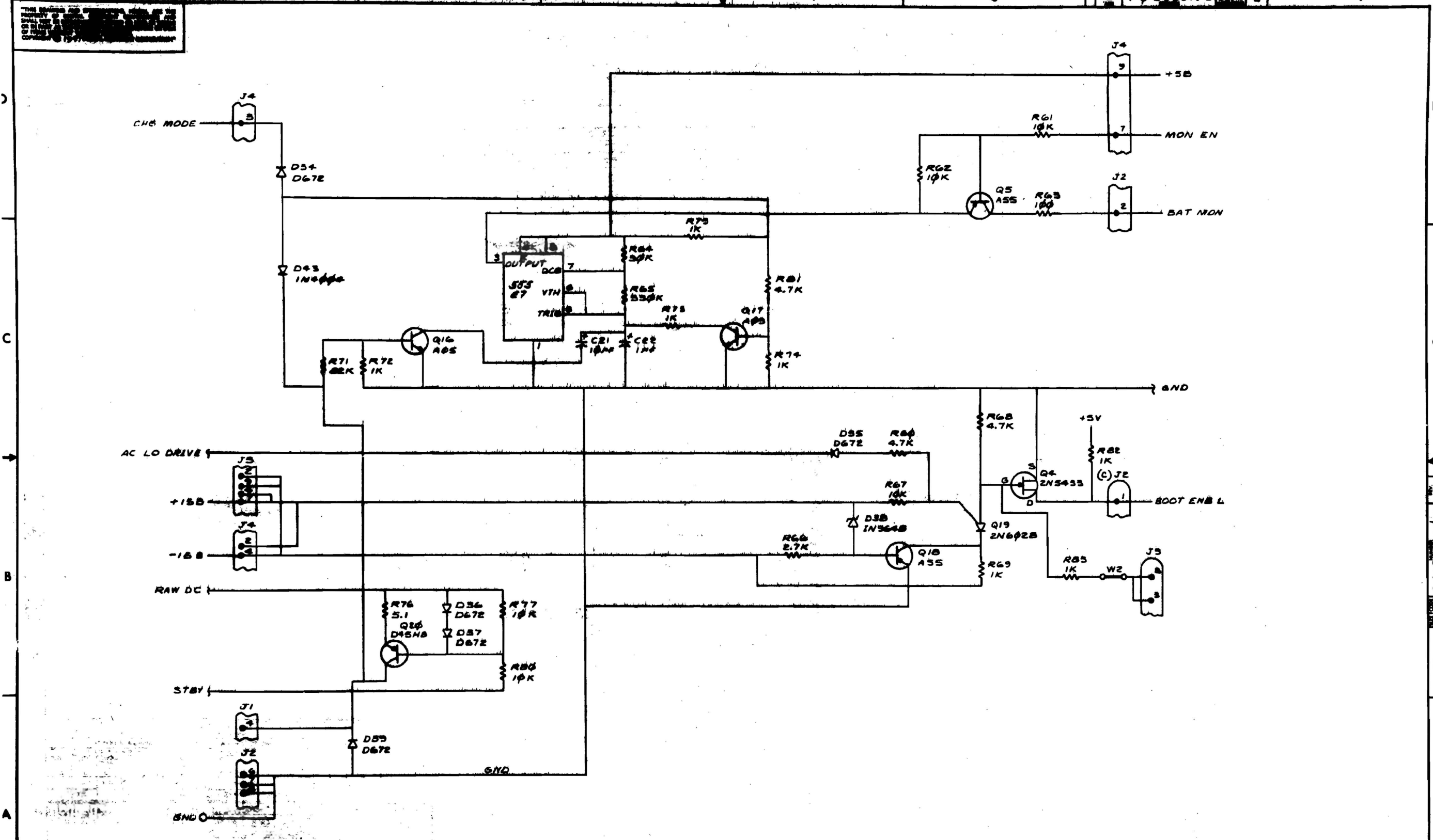
NOTES:  
1. COMPONENTS WITHIN THE  
BROKEN LINES ARE MOUNTED  
TO THE BOARD ON NEXT  
HIGHER ASS'Y

DATE	BY	PARTS LISTED ON	REV.
02-27-77	B. GIST		1
02-27-77	B. GIST		2
02-27-77	B. GIST		3
02-27-77	B. GIST		4
02-27-77	B. GIST		5
02-27-77	B. GIST		6
02-27-77	B. GIST		7
02-27-77	B. GIST		8
02-27-77	B. GIST		9
02-27-77	B. GIST		10
02-27-77	B. GIST		11
02-27-77	B. GIST		12
02-27-77	B. GIST		13
02-27-77	B. GIST		14
02-27-77	B. GIST		15
02-27-77	B. GIST		16
02-27-77	B. GIST		17
02-27-77	B. GIST		18
02-27-77	B. GIST		19
02-27-77	B. GIST		20
02-27-77	B. GIST		21
02-27-77	B. GIST		22
02-27-77	B. GIST		23
02-27-77	B. GIST		24
02-27-77	B. GIST		25
02-27-77	B. GIST		26
02-27-77	B. GIST		27
02-27-77	B. GIST		28
02-27-77	B. GIST		29
02-27-77	B. GIST		30
02-27-77	B. GIST		31
02-27-77	B. GIST		32
02-27-77	B. GIST		33
02-27-77	B. GIST		34
02-27-77	B. GIST		35
02-27-77	B. GIST		36
02-27-77	B. GIST		37
02-27-77	B. GIST		38
02-27-77	B. GIST		39
02-27-77	B. GIST		40
02-27-77	B. GIST		41
02-27-77	B. GIST		42
02-27-77	B. GIST		43
02-27-77	B. GIST		44
02-27-77	B. GIST		45
02-27-77	B. GIST		46
02-27-77	B. GIST		47
02-27-77	B. GIST		48
02-27-77	B. GIST		49
02-27-77	B. GIST		50

REV.	CHG.	CHANGE NO.	BY
1	B	1542667-0000	B. GIST
2	B	1542667-0001	B. GIST
3	B	1542667-0002	B. GIST
4	B	1542667-0003	B. GIST
5	B	1542667-0004	B. GIST
6	B	1542667-0005	B. GIST
7	B	1542667-0006	B. GIST
8	B	1542667-0007	B. GIST
9	B	1542667-0008	B. GIST
10	B	1542667-0009	B. GIST
11	B	1542667-0010	B. GIST
12	B	1542667-0011	B. GIST
13	B	1542667-0012	B. GIST
14	B	1542667-0013	B. GIST
15	B	1542667-0014	B. GIST
16	B	1542667-0015	B. GIST
17	B	1542667-0016	B. GIST
18	B	1542667-0017	B. GIST
19	B	1542667-0018	B. GIST
20	B	1542667-0019	B. GIST
21	B	1542667-0020	B. GIST
22	B	1542667-0021	B. GIST
23	B	1542667-0022	B. GIST
24	B	1542667-0023	B. GIST
25	B	1542667-0024	B. GIST
26	B	1542667-0025	B. GIST
27	B	1542667-0026	B. GIST
28	B	1542667-0027	B. GIST
29	B	1542667-0028	B. GIST
30	B	1542667-0029	B. GIST
31	B	1542667-0030	B. GIST
32	B	1542667-0031	B. GIST
33	B	1542667-0032	B. GIST
34	B	1542667-0033	B. GIST
35	B	1542667-0034	B. GIST
36	B	1542667-0035	B. GIST
37	B	1542667-0036	B. GIST
38	B	1542667-0037	B. GIST
39	B	1542667-0038	B. GIST
40	B	1542667-0039	B. GIST
41	B	1542667-0040	B. GIST
42	B	1542667-0041	B. GIST
43	B	1542667-0042	B. GIST
44	B	1542667-0043	B. GIST
45	B	1542667-0044	B. GIST
46	B	1542667-0045	B. GIST
47	B	1542667-0046	B. GIST
48	B	1542667-0047	B. GIST
49	B	1542667-0048	B. GIST
50	B	1542667-0049	B. GIST
51	B	1542667-0050	B. GIST

TITLE  
H777  
+5V REGULATOR

DCS 5412667-0-1 F



(BATTERY STATUS CRKT'S)

TITLE		H777		REV.	
+ 5V REGULATOR		DCS 5412667-0-1		E	
SCALE	1/1				

THIS DRAWING AND SPECIFICATIONS HEREIN ARE THE PROPERTY OF DIGITAL EQUIPMENT CORPORATION AND SHALL NOT BE REPRODUCED OR COPIED OR USED IN WHOLE OR IN PART AS THE BASIS FOR THE MANUFACTURE OR SALE OF ITEMS WITHOUT WRITTEN PERMISSION. COPYRIGHT © 1977 DIGITAL EQUIPMENT CORPORATION

LEGEND	
PART NO	VARIATION
7012910-0	120 V
7012910-1	230 V

WIRE CHART

ITEM NO	DESCR	FROM	TO	REMARKS	ITEM NO	DESCR	FROM	TO	REMARKS
NO	AVG	CONN	WITH	CONN	WITH	NO	AVG	CONN	WITH
22	18	OR/W	K1-4	SOLD,31	*TB2-3S	SOLD	5 1/2" L		
23	18	GR/W	K1-6		*TB2-4S	SOLD	5" L		
24	18	WH/OR	K1-7		TB2-5H	2S	9" L		
26	18	WH/GR	K1-9		TB2-6H	2S	9" L		
27	18	GR/Y	K1-A				13 1/2" L		
	TWP	BLK	K1-B	SOLD,31			13 1/2" L		
46	18	GR/OR	G2	SOLD	*TB2-6S	SOLD	6" L		
47	18	GR/W	F1-1	SOLD,31	*TB2-4S	SOLD	3" L		
43	18	BRN	(CBI-2) LOAD	28,31	*TB2-6S	SOLD	7 1/2" L		
	TWP	BLU	(CBI-1) LOAD	28,31	*TB2-1S	SOLD	7 1/2" L		
45	14	BLU	(CBI-1) LINE		NOTE 6		17" L		
	TWP	BRN	(CBI-2) LINE		NOTE 6		17" L		
15	18	WH/T	*TB2-7S	SOLD	J2-2	30,32	10" L		
	TWP	BLK	*TB2-5S	SOLD	J2-1	30,32	9" L		
15	18	WH/T	*TB2-7S	SOLD	J3-2	30,32	16" L		
	TWP	BLK	*TB2-5S	SOLD	J3-1	30,32	15 1/2" L		

NOTES:

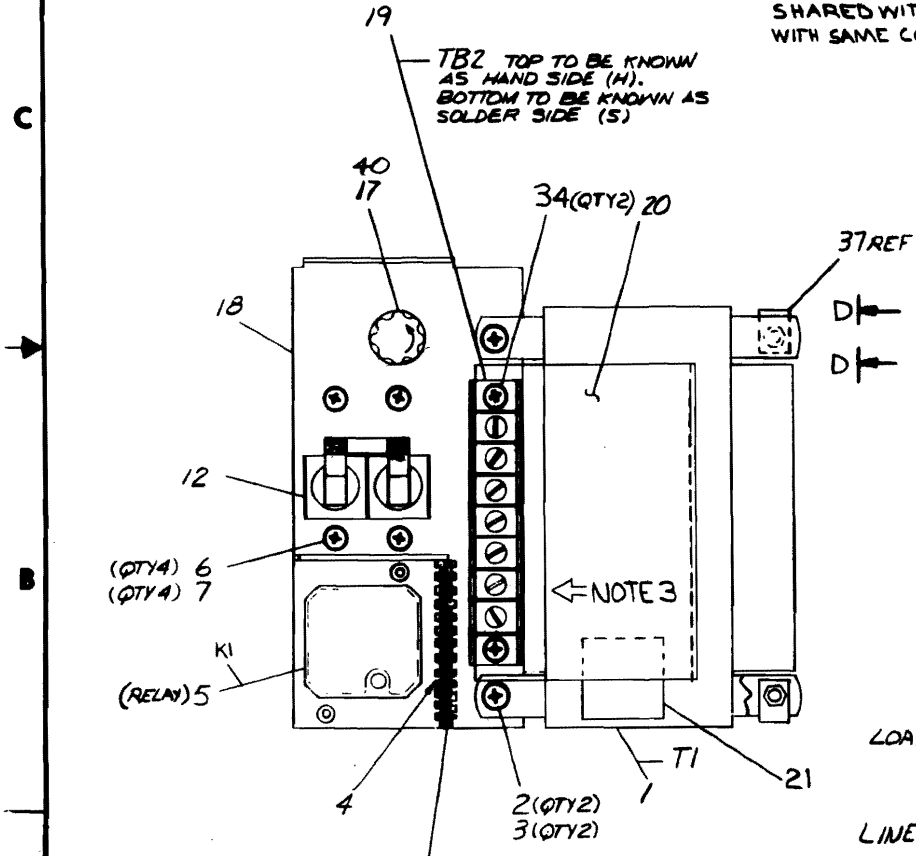
- COVER ITEM 30 WITH ITEM 31. COVER ENTIRE CONN.
- TWISTED PAIR WIRE TO HAVE A MIN OF 8 TWIST PER FT. AS PER WIRE CHART.
- ALL CONNECTIONS TO TB2 ARE TO BE MADE FROM SIDE INDICATED BY ARROW.
- USE TIE WRAPS (ITEM 30) AS NEEDED.
- T1 PRIMARY WIRES TO TB2 MUST BE ROUTED BY ITEM 4.
- NO CONNECTION IS MADE AT THIS ASSY LEVEL. REFER TO PRINT E-UM-H777-0-0

SEE NOTE 2  
SEE DETAIL 'E'

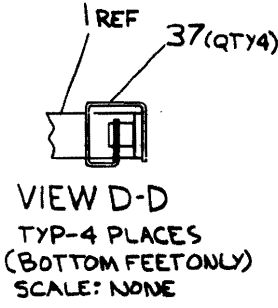
SEE NOTE 2  
SEE DETAIL 'C'

\* INDICATES SOLDER CONN. SHARED WITH OTHER CONN. WITH SAME COMMON CONN.

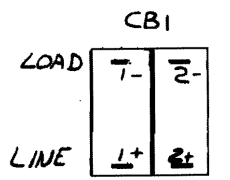
TB2 TOP TO BE KNOWN AS HAND SIDE (H). BOTTOM TO BE KNOWN AS SOLDER SIDE (S)



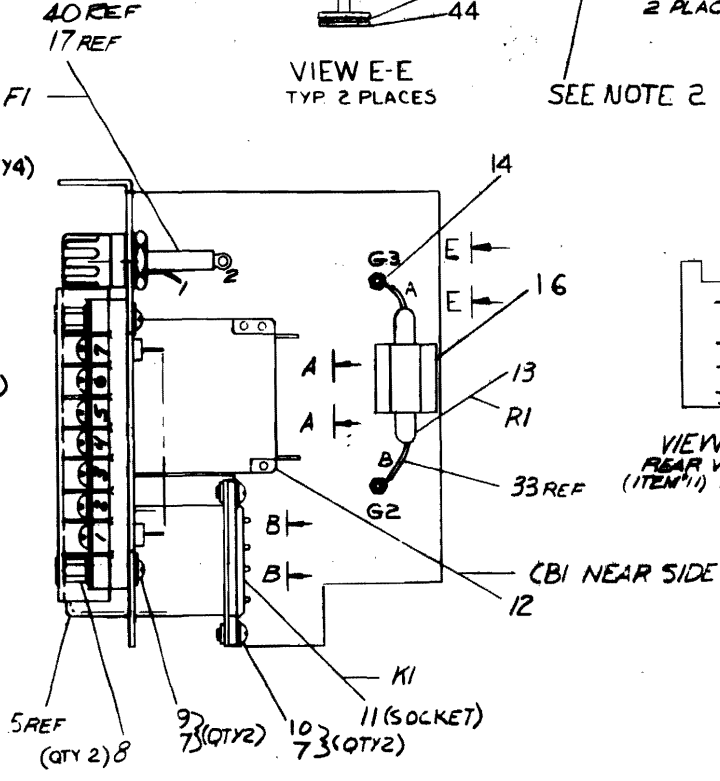
SEE NOTE 5



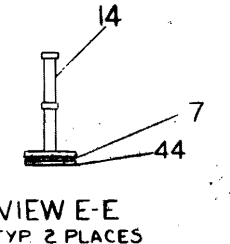
VIEW D-D  
TYP-4 PLACES  
(BOTTOM FEET ONLY)  
SCALE: NONE



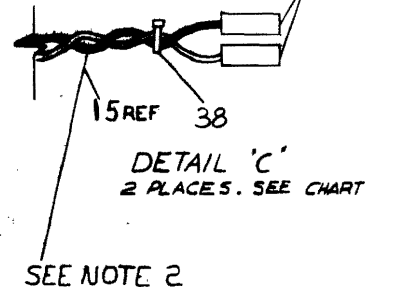
VIEW A-A  
REAR VIEW OF CBI  
(ITEM 12) FOR WIRING ONLY.



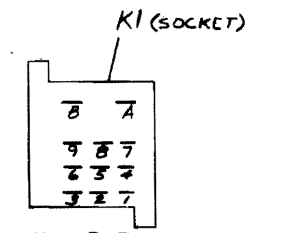
SIDE VIEW  
TRANSFORMER (ITEM 11) REMOVED FOR CLARITY.



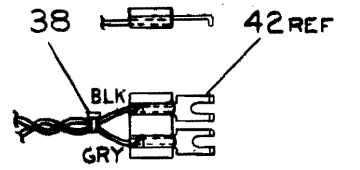
VIEW E-E  
TYP 2 PLACES



DETAIL 'C'  
2 PLACES. SEE CHART



VIEW B-B  
REAR VIEW OF KI (SOCKET)  
(ITEM 11) FOR WIRING ONLY.



DETAIL 'E'  
SEE CHART

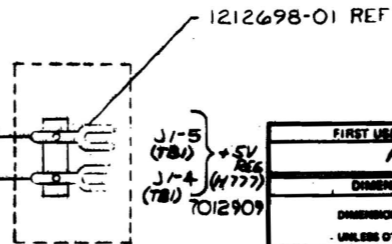
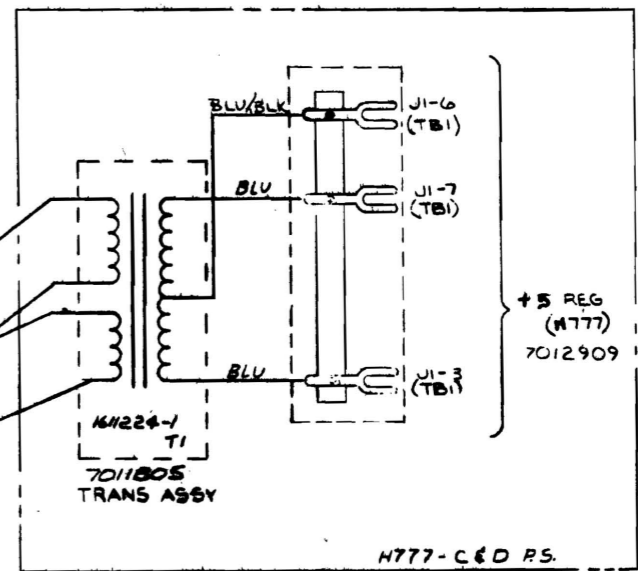
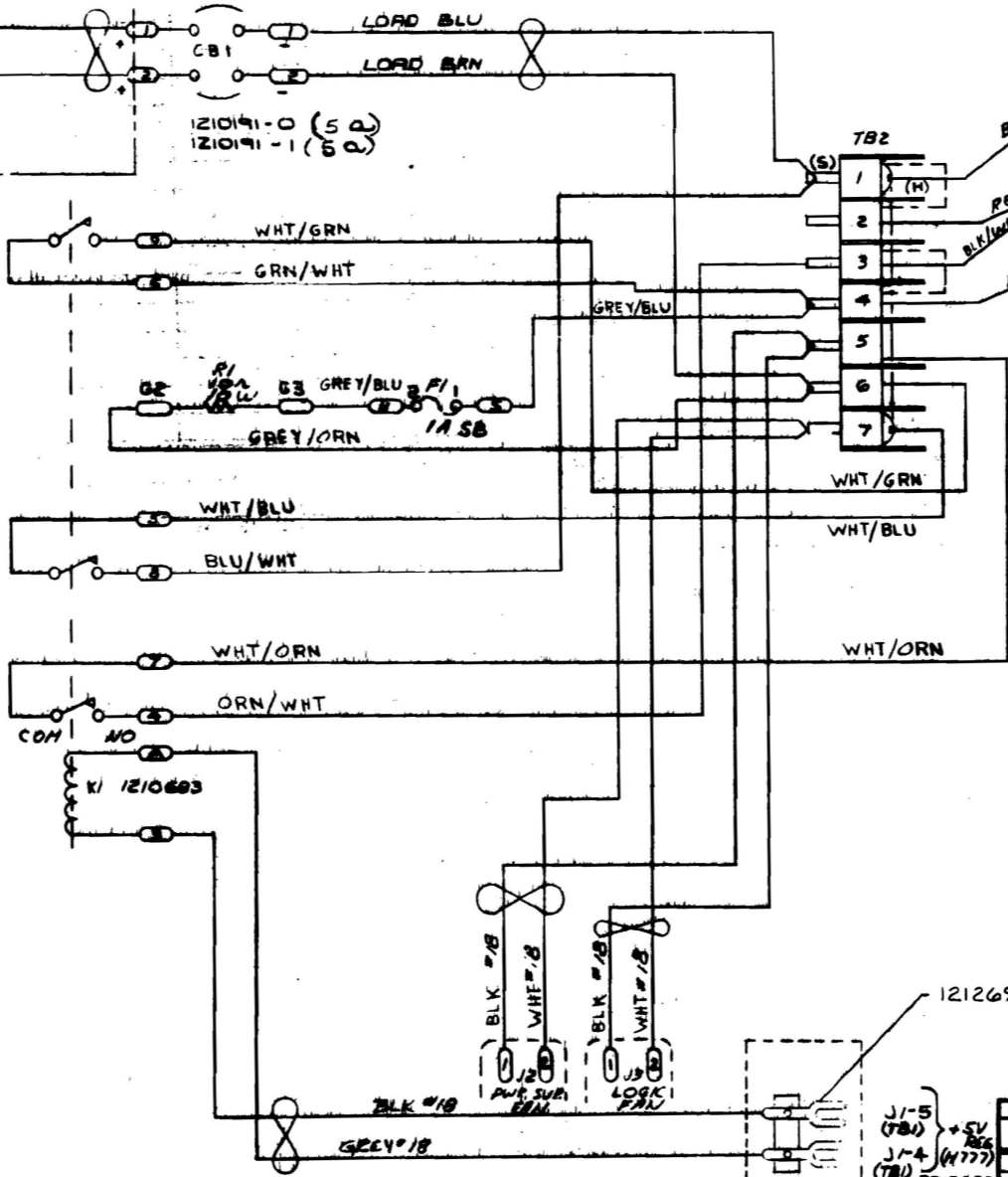
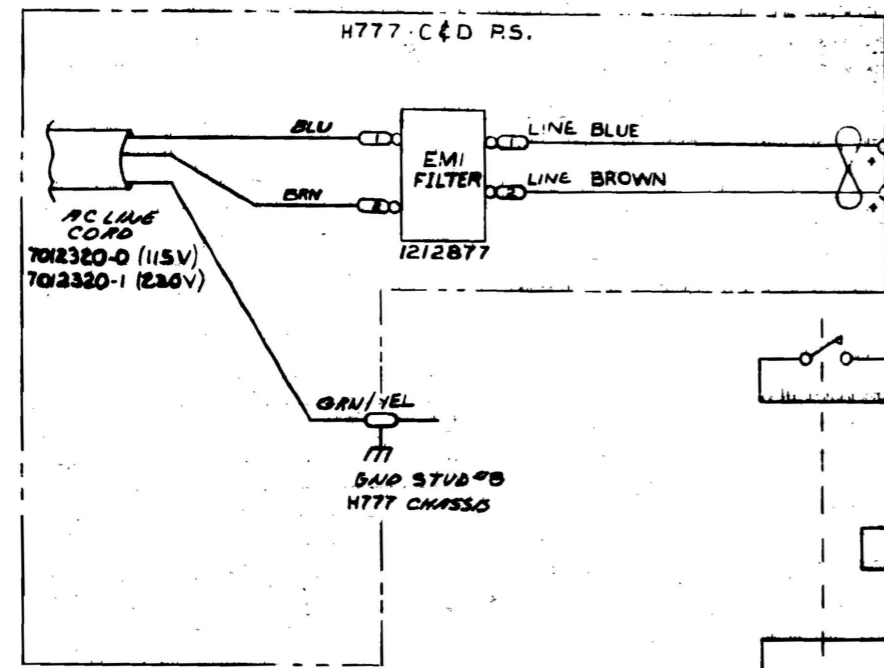
REV.	DATE	BY	CHKD.	APP'D.	DESCRIPTION
1					ORIGINAL
2					REVISED
3					REVISED
4					REVISED
5					REVISED
6					REVISED
7					REVISED
8					REVISED
9					REVISED
10					REVISED
11					REVISED
12					REVISED
13					REVISED
14					REVISED
15					REVISED
16					REVISED
17					REVISED
18					REVISED
19					REVISED
20					REVISED
21					REVISED
22					REVISED
23					REVISED
24					REVISED
25					REVISED
26					REVISED
27					REVISED
28					REVISED
29					REVISED
30					REVISED
31					REVISED
32					REVISED
33					REVISED
34					REVISED
35					REVISED
36					REVISED
37					REVISED
38					REVISED
39					REVISED
40					REVISED
41					REVISED
42					REVISED
43					REVISED
44					REVISED
45					REVISED
46					REVISED
47					REVISED
48					REVISED
49					REVISED
50					REVISED

OFF SHEET PARTS LIST SEE A-PL-7012910-0-0

DESCRIPTION	DWG/PART NO.	ITEM NO.
UNLESS OTHERWISE SPECIFIED DIMENSIONS ARE IN INCHES		
ANGLES	±0.005	
SURFACE QUALITY	MEDIUM	
QUANTITY & VARIATION		
THIRD ANGLE PROJECTION		
MATERIAL	D-UM-H777-0-0	SIZE D
SCALE	1/1	CODE AD
FINISH		NUMBER 7012910-0-0
		REV. 1

D AC 7012910-0-0

"THE BUYER AND SUPPLIER SHALL BE RESPONSIBLE FOR THE PROTECTION OF THE PROPERTY OF THE BUYER. THE BUYER SHALL NOT BE RESPONSIBLE FOR LOSS OF OR DAMAGE TO OR IN FACT AS THE CASE MAY BE, IN THE PROPERTY OF THE BUYER, UNLESS IT IS PROVEN THAT THE SUPPLIER IS RESPONSIBLE THEREFOR."  
 FEDERAL EQUIPMENT CORPORATION



REV.	CHANGE NO.	REVISIONS

FIRST USED ON OPTION/MODEL H777-C&D		QTY.	DESCRIPTION	PART NO.	ITEM NO.
DIMENSIONAL TOLERANCE		PARTS LIST			
DIMENSIONS ARE UNLESS OTHERWISE SPECIFIED					
TITLE A/C INPUT ASSY (120/230V)		DATE: 29 MAY 76 DATE: 2 MAR 76 DATE: 15 SEP 76 DATE: 11 OCT 76			
DRAWN: [Signature]		NUMBER: D AD 7012910-0-0 REV.			
FINISH		SCALE: 2 OF 2			

D AD 7012910-0-0

DIGITAL EQUIPMENT CORPORATION MAYNARD, MASSACHUSETTS			QUANTITY / VARIATION	
PARTS LIST			7012910-0	7012910-1
MADE BY <i>R. Barry</i>	CHECKED D. HEALY	SECTION 1		
DATE 19 JUL 76	DATE 27 JUL 76	ISSUED SECT. 1		
ENG R. Barry	PROD R.B.K.			
DATE 9-17-76	DATE 21 SEP 76			
ITEM NO.	DWG NO. / PART NO.	DESCRIPTION		
1	C-IA-7011805-0-0	TRANSFORMER ASSY.	1	1
2	9006037-01	SCR PHIL PAN HD #6 - 32 x .36	2	2
3	9006634	WASHER INT. TOOTH LOCK #6	2	2
4	9007035	GROMMET CATERPILLAR	A/R/R	
5	1210683-00	RELAY 12V 3P 10A	1	1
6	9006020-01	SCR PHIL HD PAN #6-32 x .35	4	4
7	9006633	WASHER INT. TOOTH LOCK #6	10	10
8	9006842	WASHER INT. TOOTH LOCK #6	2	2
9	9007794-01	SCR PHIL HD PAN #6 - 32 x .69	2	2
10	9006021-01	SCR PHIL HD PAN #6 - 32 x .31	2	2
11	1212789	SOCKET, RELAY	1	1
12	1210131-4	CIRCUIT BREAKER, 6A	1	1
13	1300173	RESISTOR, 10 OHM, 10W	1	1
14	9006966	TERMINAL TURRET INS	2	2
15	9107430-09	WIRE #18 AWG INS TW/PR (WHT/BLK)	A/R/R	
16	9009771-2	CLAMP (RESISTOR) 3/8 I.D. SELF ADH.	1	1
17	1212893-00	HOLDER, FUSE 20A, 300V	1	1
18	D-IA-7417219-0-0	BRACKET, COMPONENT	1	1
19	1212788	BARrier STRIP 7 POS	1	1
20	B-IA-7414743-1-0	SHIELD, TERM.	1	1
21	9008264	MOUNT TIE WRAP	1	1
22	9107410-39	WIRE #18 AWG INS ORN/WHT	A/R/R	

TITLE	ASSY NO.	SIZE CODE	NUMBER	REV.	ECO NO.
A/C INPUT ASSY (120V/230V)	D-AD-7012910-0-0	A PL	7012910-0-0	M	1000
	SHEET 1 OF 3	DIST.			

DEC FORM DEC 16 (325)-1031-N870  
DRA 110

DIGITAL EQUIPMENT CORPORATION MAYNARD, MASSACHUSETTS			QUANTITY / VARIATION	
PARTS LIST			7012910-0	7012910-1
MADE BY A. ROCHA	CHECKED D. HEALY	SECTION 1		
DATE 19-JULY-76	DATE 27-JULY-76	ISSUED SECT. 1		
ENG R. BARRY	PROD R.B. KING			
DATE 17-SEPT-76	DATE 21-SEPT-76			
ITEM NO.	DWG NO. / PART NO.	DESCRIPTION		
45	C-IA-7417288-0-0	A/C CONN HARNESS	1	1
46	9107410-83	WIRE #18 AWG INS GREY/ORN	A/R/R	
47	9107410-86	WIRE #18 AWG INS GREY/BLU	A/R/R	
48	9107410-69	WIRE #18 AWG INS BLU/WHT	A/R/R	
49	9107410-96	WIRE #18 AWG INS WHT/BLU	A/R/R	

TITLE	ASSY NO.	SIZE CODE	NUMBER	REV.	ECO NO.
A/C INPUT ASSY (120V/230V)	D-AD-7012910-0-0	A PL	7012910-0-0	M	1000
	SHEET 3 OF 3	DIST.			

DEC FORM DEC 16 (325)-1031-N870  
DRA 110

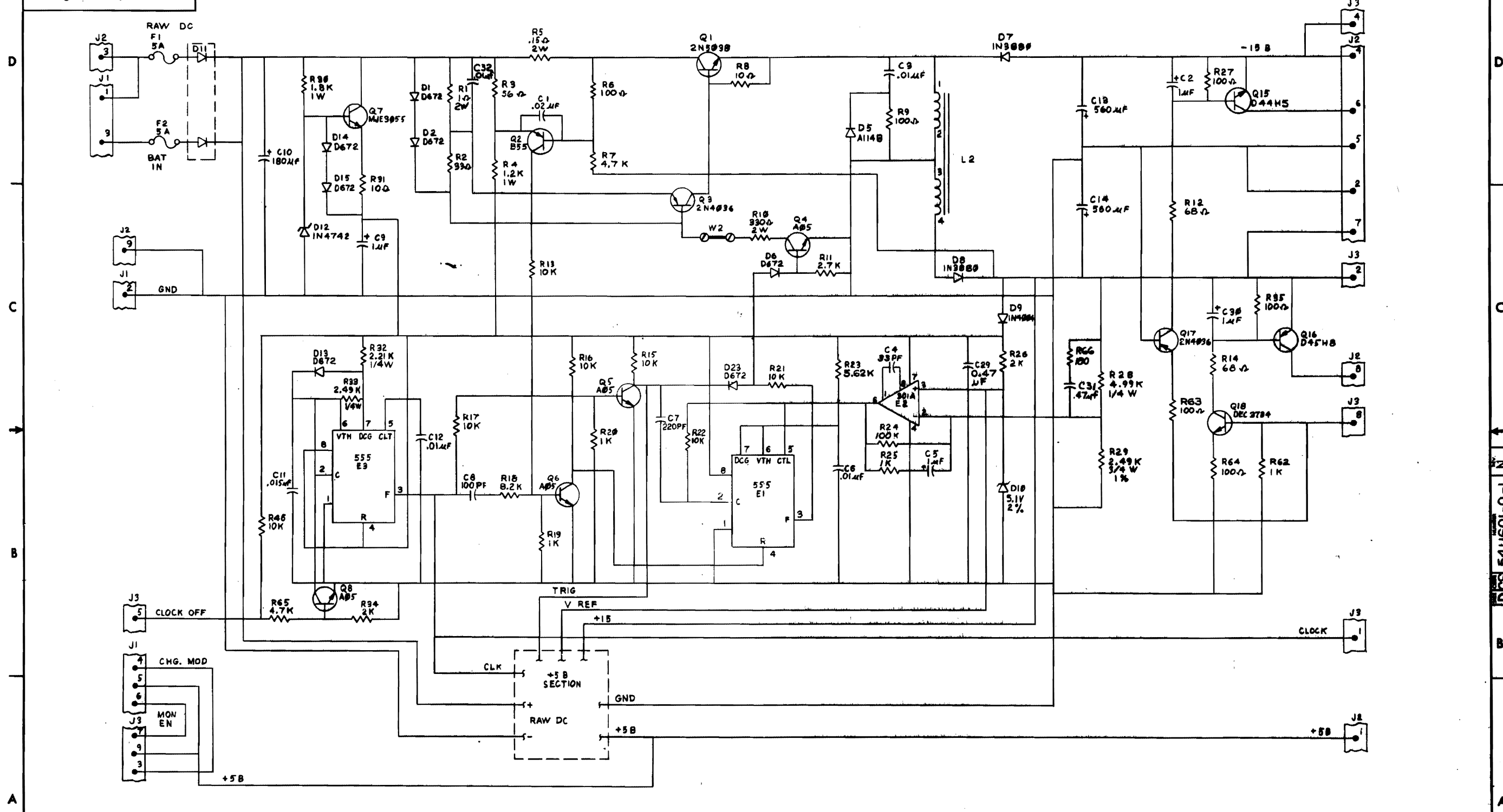
DIGITAL EQUIPMENT CORPORATION MAYNARD, MASSACHUSETTS			QUANTITY / VARIATION	
PARTS LIST			7012910-0	7012910-1
MADE BY <i>R. Barry</i>	CHECKED D. HEALY	SECTION 1		
DATE 19 JULY 76	DATE 27 JUL 76	ISSUED SECT. 1		
ENG R. Barry	PROD R.B.K.			
DATE 9-17-76	DATE 21 SEP 76			
ITEM NO.	DWG NO. / PART NO.	DESCRIPTION		
23	9107410-59	WIRE 18 AWG INS GRN/WHT	A/R/R	
24	9107410-93	WIRE 18 AWG INS WHT/GRN	A/R/R	
25	9007929	RING CRIMP (RED INS)	2	2
26	9107410-95	WIRE 18 AWG INS WHT/GRN	A/R/R	
27	9107430-08	WIRE 18 AWG INS (GRY/BLK) TW/PR	A/R/R	
28	9007970	CONN FASTON (RED INS.)	2	2
29	<del>9008264</del>	<del>MOUNT TIE WRAP</del>		
30	1210820-2	HOUSING TERM. FASTAB	4	4
31	9107305-02	TUBING SHRINK (RED)	A/R/R	
32	1210820-1	HOUSING SOCKET, FASTAB	4	4
33	9107278-02	TUBING INS (RED)	A/R/R	
34	9008020-02	SCR. PHIL. FLAT HD. 6 - 32 x .19	2	2
35	B-IA-7011797-0-0	JUMPER ASSY (BLK 2")	1	1
36	B-IA-7011798-0-0	JUMPER ASSY (WHT 2")	1	1
37	9007786	NUT #10 - 32	4	4
38	9007031	TIE WRAP	A/R/R	
39	<del>9008264</del>	<del>MOUNT TIE WRAP</del>		
40	9007212	FUSE, 1A, 250V, S.B.	1	1
41	<del>9008264</del>	<del>MOUNT TIE WRAP</del>		
42	1212698-01	STRIP, PUNCHING (2 POSITION)	1	1
43	9107430-16	WIRE #18 AWG INSTWP BRN, BLU	A/R/R	
44	9006656	WASHER, FLAT	2	2

TITLE	ASSY NO.	SIZE CODE	NUMBER	REV.	ECO NO.
A/C INPUT ASSY (120V/230V)	D-AD-7012910-0-0	A PL	7012910-0-0	M	1000
	SHEET 2 OF 3	DIST.			

DEC FORM DEC 16 (325) 1031 N870  
DRA 110



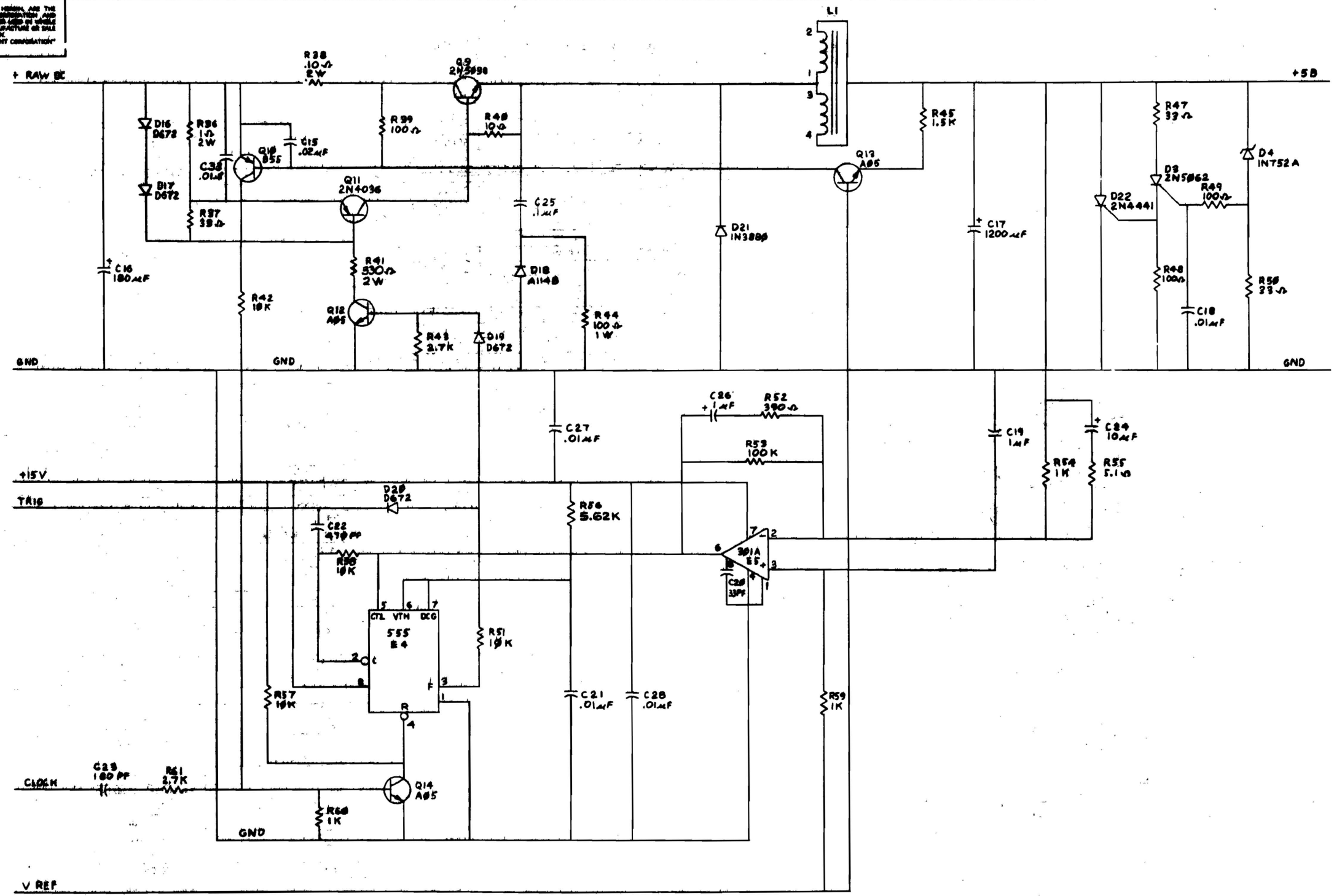
THIS DRAWING AND SPECIFICATIONS, HEREIN, ARE THE PROPERTY OF DIGITAL EQUIPMENT CORPORATION AND SHALL NOT BE REPRODUCED OR COPIED OR USED IN WHOLE OR IN PART AS THE BASIS FOR THE MANUFACTURE OR SALE OF ITEMS WITHOUT WRITTEN PERMISSION. COPYRIGHT © 1975 DIGITAL EQUIPMENT CORPORATION



REVISIONS		
CHK	CHANGE NO.	REV.

TITLE	MOS REGULATOR H777	SIZE/COOD	DCS 5411601-0-1	NUMBER	N
SCALE		SHEET	2 OF 5	DIST.	

THIS DRAWING AND SPECIFICATIONS HEREON ARE THE PROPERTY OF DIGITAL EQUIPMENT CORPORATION AND SHALL NOT BE REPRODUCED OR TRANSMITTED IN ANY FORM OR BY ANY MEANS, ELECTRONIC OR MECHANICAL, INCLUDING PHOTOCOPYING, RECORDING, OR BY ANY INFORMATION STORAGE AND RETRIEVAL SYSTEM, WITHOUT THE WRITTEN PERMISSION OF DIGITAL EQUIPMENT CORPORATION. COPYRIGHT © 1977 DIGITAL EQUIPMENT CORPORATION



REVISIONS		
CHK	CHANGE NO.	REV.

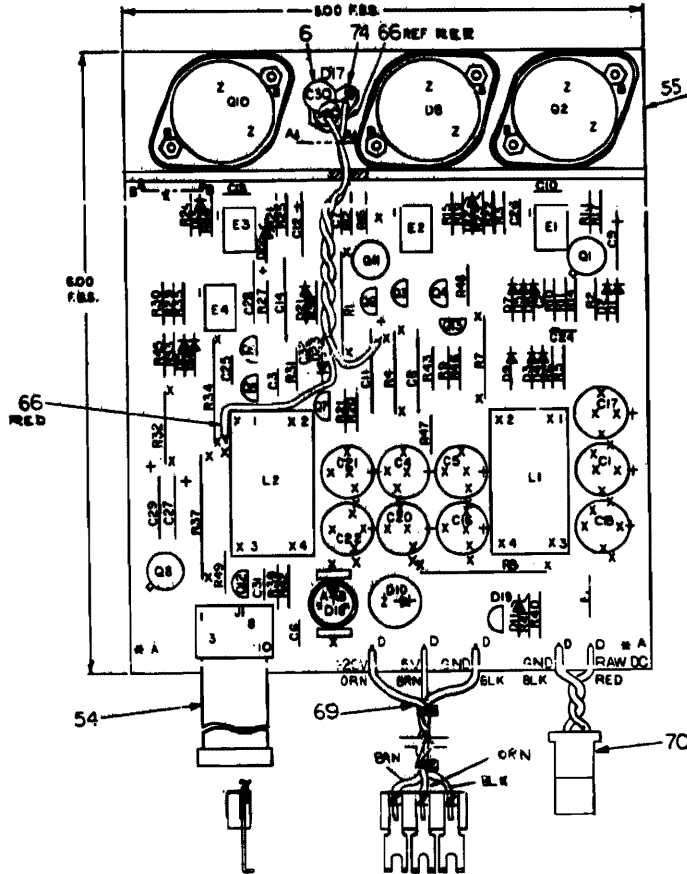
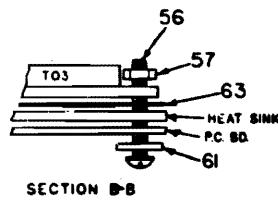
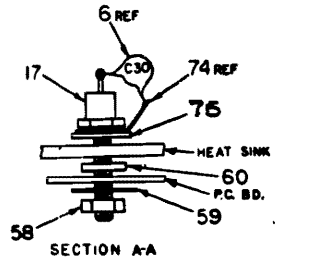
TITLE	SIZE/COOD	NUMBER	REV
MOS REGULATOR H777	D CS	5411601-0-1	N
SCALE	SHEET	OF	DIST.
77	3	3	

D CS 5411601-0-1 N

THIS DRAWING AND SPECIFICATIONS HEREIN ARE THE PROPERTY OF DIGITAL EQUIPMENT CORPORATION AND SHALL NOT BE REPRODUCED OR COPIED OR USED IN WHOLE OR IN PART AS THE BASIS FOR THE MANUFACTURE OR SALE OF ITEMS WITHOUT WRITTEN PERMISSION.  
COPYRIGHT © 1976 DIGITAL EQUIPMENT CORPORATION

**NOTES:**

USE TRANSIPAD DEC# 9007201 UNDER Q14QB



QTY	REF. DESIGNATION	DESCRIPTION	PART NO.	ITEM NO.
1		HEAT SINK	7416235-0-0	55
6		SCREW, #4-40 x 1/2 lg PH HD	9008018-1	56
6		NUT, KEP #4-40	9008057	57
1		NUT, HEX #10-32	9008584	58
1		WASHER, FLAT	9008082	59
1		BUSHING, NYLON	9008440	60
8		WASHER, FLAT	9008172	61
A/R		COMPOUND, THERMAL	9008208	62
3		INSULATOR, T03	1213071-02	63
		<del>WASHER, THERMPLD</del>	<del>9008440</del>	<del>64</del>
2		TRANSIPAD	9007201	65
A/R		WIRE #18 AWG, TWISTED PAIR	9107430-02	66
1	C29	CAPACITOR 2.2UF 20V	1002627	67
1	R47	RESISTOR 200, 1/4W, 5%	1311522	68
1		HARNESS (THREE WIRE)	C-7A 7012547-0-0	69
1		HARNESS (TWO WIRE)	C-7A 7012546-0-0	70
1	C12	CAPACITOR, 10UF, 20V, 10% TANT	1004813	71
1	D23	DIODE, IN753A	1102421	72
1	C26	CAPACITOR, .47UF, 25V, 20%, CER	1010279	73
1		SOLDER, TERM., SCREW MTG.	9007815	74
1		SIL PAD .80D .190I.D.	1213071-05	75
1	C32	CAP. 1UF 50V CER.	1010274-02	76
1	D9	DIODE, 1N978B	1110858	20
1	D19	DIODE, 2N5082	1110860	21
1	D9	DIODE, A1148	1112595-01	22
1	F1	FUSE, 15A, PICO	1210929	23
1	R46	RESISTOR, 10K, 1/4W, 5%	1302465	24
6	R9, R39, R40, R41, R43, R45	RESISTOR, 100, 1/4W, 5%	1300229	25
1	P7	RESISTOR, 100, 1W, 5%	1300232	26
3	R11, R2, R33	RESISTOR, 390, 1/4W, 5%	1300309	27
6	R8, R12, R23, R31, R17, R48	RESISTOR, 1K, 1/4W, 5%	1300305	28
3	R10, R14, R30	RESISTOR, 2.7K, 1/4W, 5%	1300428	29
4	R42, R44, R15, R27	RESISTOR, 4.7K, 1/4W, 5%	1300447	30
1	R4	RESISTOR 1K, 1W, 5%	1300368	31
3	R16, R28, R38	RESISTOR, 10K, 1/4W, 5%	1300479	32
2	R3, R35	RESISTOR, 10, 1/4W, 5%	1301317	33
1	R45	RESISTOR, 470, 1/4W, 5%	1300316	34
1	R5	RESISTOR, 27, 1/4W, 5%	1301522	35
1	R34	RESISTOR, 330, 2W, 10%	1301961	36
1	R18	RESISTOR, 2K, 1/4W, 5%	1302380	37
2	R18, R28	RESISTOR, 100K, 1/4W, 5%	1302488	38
1	R22	RESISTOR, 2.7K, 1/4W, 1"	1304980	39
2	R1, R32	RESISTOR, 1, 2W, 5% WW	1305428	40
2	R24, R25	RESISTOR, 1.5K, 1/4W, 5%	1300391	41
1	R21	RESISTOR, 8.2K, 1/4W, 1"	1309428	42
2	R8, R37	RESISTOR, .05, .5W, 3% WW	1311803	43
1	R20	RESISTOR, 56, 1/4W, 5%	1302602	44
2	Q1, Q8	TRANSISTOR, 2N4838	1509700	45
7	Q3, Q5, Q6, Q7, Q8, Q12, Q13	TRANSISTOR, XA85	1510705	46
1	Q4	TRANSISTOR, XA85	1510706	47
1	D18	TRANSISTOR, C32A1135	1510920	48
2	Q2, Q19	TRANSISTOR 2N5038	1510969	49
1	Q11	TRANSISTOR, 2N5433	1511806	50
2	L1, L2	INDUCTOR, 500uh	1012593	51
2	E1, E3	I.C DEC 301A	1910282	52
2	E2, E4	I.C DEC 555	1911844	53
1	J1	CABLE ASSY	7011414 -0E	54

IC TYPE	QND	→5V
QND AND 5V ARE USUALLY PIN 7 AND 14 RESPECTIVELY EXCEPTIONS ARE STATED ABOVE		
IC PIN LOCATIONS		

PREPARED BY: J. SCHEIC  
 J. SCHEIC 2-9-77  
 B. COURTEMANCHE  
 1541599-00002 H  
 G. POTTER  
 AUG 76  
 1541599-00001 F  
 CHANGE NO. 1  
 REV.

**PARTS LIST**

ETCH BOARD REV. D

Digital logo

TITLE: +20V REGULATOR/H777

PROJECT: E-UA-H777-0-0

SCALE: 1:1

SHEET: 2

DATE: 7/77

DRN: [Signature]

ENG: [Signature]

PROJ: [Signature]

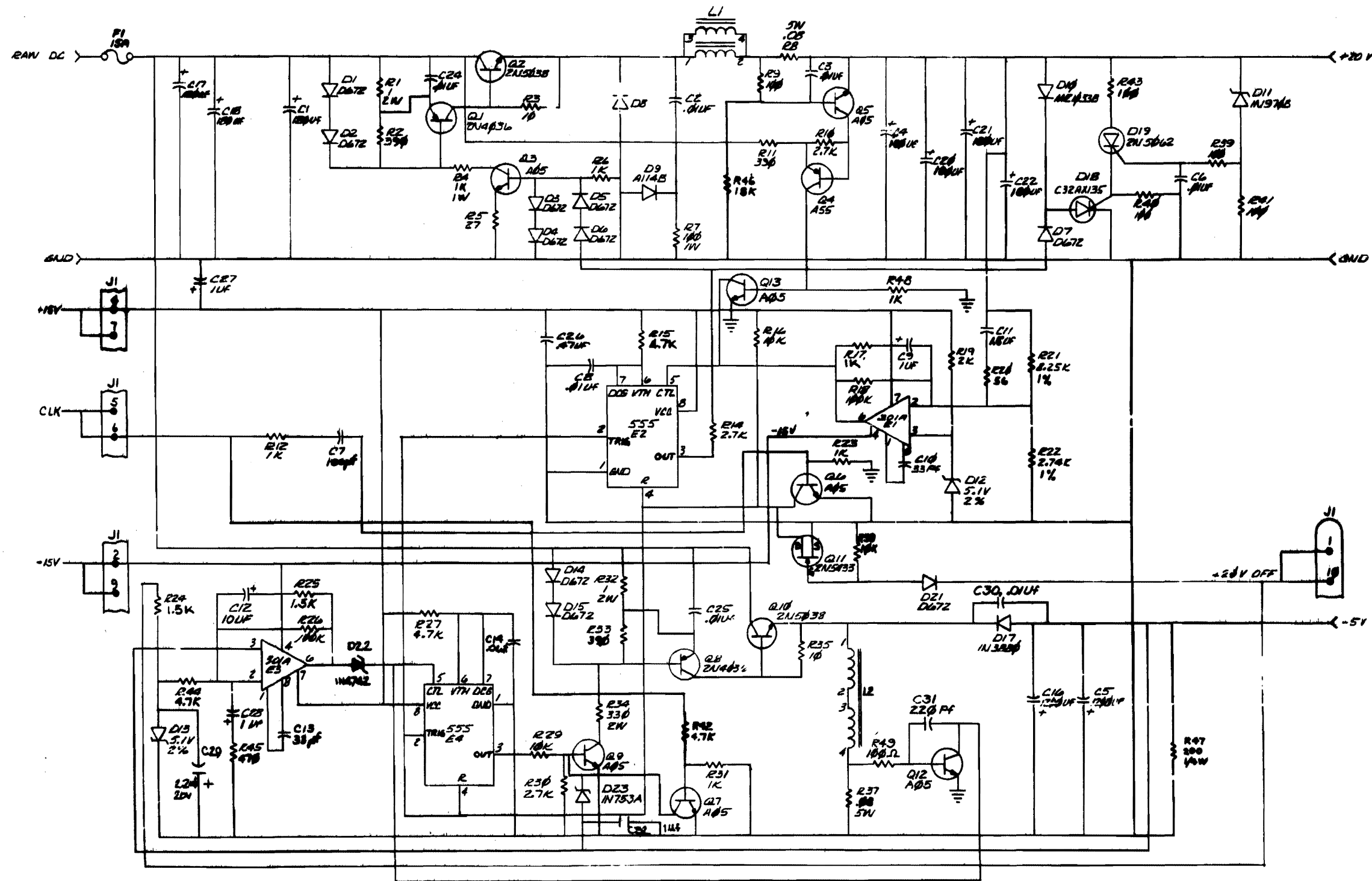
REV. J

SIZE CODE DCS

NUMBER 1541599-0-1

SEMICONDUCTOR CONVERSION CHART

REGULATOR



REV.	DESCRIPTION	DATE
1		